



TAIXIN HYDRAULIC



**泰新液压**  
TAIXIN HYDRAULIC

泰新液压

宁波市泰新液压制造有限公司



TAIXIN

**宁波市泰新液压制造有限公司**

Ningbo Taixin Hydraulic Manufacture Co.,Ltd.

地址(Add): 宁波市奉化溪口气动产业园兴佳路3号 邮编: 315502

电话(Tel): 86-574-88865209 88865516

传真(Fax): 86-574-88851105

销售部QQ: 1004768581

外贸部邮箱(E-mail): 15958896870@163.com

电子信箱(E-mail): taixin888@taixin888.com

网址(Http): //www.taixin888.com

阿里巴巴商铺: Http://fhtaixin.cn.alibaba.com

版权归泰新液压所有



2019版



ISO9001:2015

腾飞  
中的泰新液压  
TAIXIN HYDRAULIC



## 企业简介 Corporate Profile

宁波市泰新液压制造有限公司是原机械部、冶金局配套生产液压件的主要公司之一，公司产品氮气增压装置(充氮车)、系列蓄能器安全控制阀组、高压球阀系列、高压截止阀系列、电磁球阀、国际标准高压球阀等等以及液压系统附件。并长期应用于工程、冶金、矿山、石油、船舶、军工等各个领域。

公司已通过ISO9001/2015国际质量管理体系认证，拥有各类技术人员和管理人员，软硬件设施完善，各种高精度、高效率专业制造设备齐备，并配有尖端的辅助设计系统软件，可以在有效时间内为客户提供优质的服务。

公司坚持“科技创新、全员参与、持续改进、双方满意，”的质量方针，不断满足客户质量需求。我公司愿与国内外同行共同开发新产品，热烈欢迎各界认识前来考察、洽谈业务。

NingBo Taixin Hydraulic Manufacturing Co.,Ltd.is one of the major hydraulic component suppliers of the former Ministry of Machine building Industry and Metallurgy Bureau.The leading products of the company cover nitrogen pressurizing system(nitrogen charger),series accumulator safety control valve sets, high-pressure ball valve series,high-pressure stop valve series,electromagnet ball valves and international high-standard ball valves as well as hydraulic system accessories,which are long term applied in various fields of engineering,metallurgy, mine,petroleum,shipping and war industry.

The company is certified by ISO9001/ 2015 international quality system.It owns all types of hi-tech technical and managerial personnel,perfect software and hardware equipment,and various kinds of high-precision and high-efficiency specialized manufacturing equipment. Besides,it is provided with the latest sophisticated auxiliary system software,which may provide best service to clients within most effective time period.The company advocates the quality policy of scientific and technological innovation,whole staff participation,continuous improvement and mutual satisfaction to constisfy the quality requirements of clients.

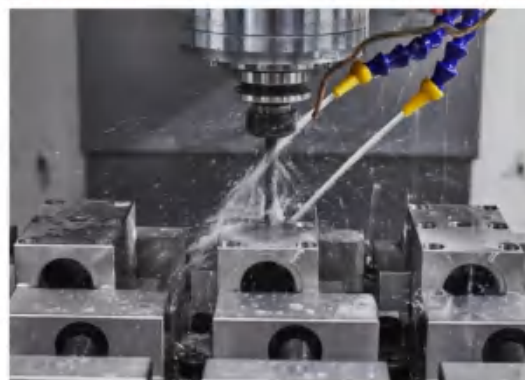
We d like to join hands with domestic and foreign counterparts to develop new products with joint effort.Warmly welcome investigation and business negotiation of friends all circleso.

软硬件设施齐备  
Our company has well-equipped software and hardware facilities

ISO9001:2015



精加工车间 Enterprise finishing workshop



信赖来自专业，专业创造精品  
Trusting and superb products  
supported by professional technology



**产品种类多样  
仓库数量充足**  
A variety types of products  
with comprehensive warehouse stock

**开拓创新，走向世界**  
我们每年都参加各种国际性展会，深得国内外顾客信任。  
Taixin company attends many domestic and international exhibitions every year, and gains full recognition by the mass customers around the world.

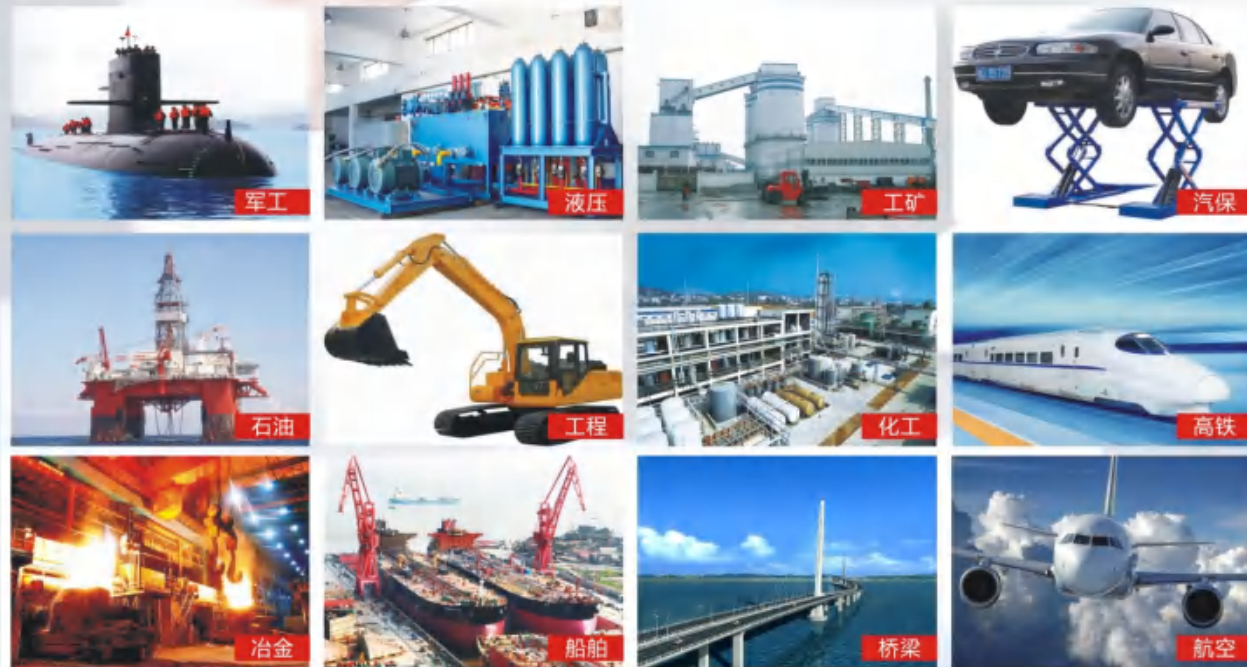


参加德国汉诺威工业展  
Germany Hannover Industry Exhibition

参加上海PTC展  
Shanghai PTC Exhibition

展品图  
Sample display in Hannover

## 泰新液压产品销售分布



泰新液压广泛应用于各个领域

## 目录 Contents

	CDZ 型充氮车 CDZ type Nitrogen Charging Vehicle	001-002
	SAF型蓄能器安全截止阀块(国际标准) SAF type Energy Storage Safety Stop Valve Block (International Standard)	004-008
	AJW型蓄能器专用球阀 AJW type high pressure ball valve	009
	TXD型蓄能器专用球阀 TXD type high pressure ball valve	009
	AQF型蓄能器安全球阀 AQF type Energy Storage Safety Ball Valve	010-011
	AJ型蓄能器控制阀组 AJ type Energy Storage Control Valve Set	012-014
	AJF型安全截止阀 AJF type Safety Stop Valve	015-016
	QFZ型蓄能器控制阀组 QFZ type Energy Storage Control Valve Set	017-018
	XJF型蓄能器截止阀 XJF type Energy Storage Stop Valve	019-020
	KHB(BKH)/KHM(MKH)国际标准球阀/高压球阀 International standard ball valve/High pressure ball valve	022-024
	KHB/KHM系列带气动执行器高压球阀 KHB/KHM series High pressure ball valve with pneumatic actuator	025
	KHB系列锥型密封焊接式 KHB Series Conical seal welding type	026
	KHB/KHB3K系列带安装孔球阀 KHB/KHB3K Series Ball valve with mounting hole	027
	KHB系列带限位开关球阀配套 KHB Series Equipped with limit switch ball valve	028
	二位三通球阀KHB3K(BK3) Two-position three-way ball valve KHB3K (Bk3)	029-031
	KHBT KHBT3K球阀打靠边安装孔系列 KHBT KHBT3K ball valve series pull over mounting holes	032
	三通和四通球阀KH3/KH4(3KH/4KH) Three-way and four-way ball valve KH3/ KH3 (3KH/ 4KH)	033-035
	三通和四通板式球阀KH3P KH4P Three-way and four-way disc type ball valve KH3P KH4P	036
	SAE分体法兰式高压球阀 SAE flange type high pressure ball valve	038-040
	SAE法兰式球阀一端SAE整体法兰、一端SAE分体法兰接头 SAE flange ball valve end SAE integral flange, end SAE branch flange joint	041
	SAE螺旋式法兰球阀 SAE spiral type flange ball valve	042-043
	SAE固定式法兰球阀KHSAE SAE fixed flange ball valve KHSAE	044-045

## 目录 Contents

	KHZ-AS法兰式球阀 KHZ-AS Flange ball valve	046-047
	KH3K-AS法兰式三通球阀 KH3K-AS Flange tee ball valve	048-049
	KHB-AS KHM-AS系列球阀(带焊接管) KHB-AS KHM-AS Series ball valve (with welded tube)	050-051
	法兰式高压球阀KHBK/KHMF/KHMFF Flange type high pressure ball valve KHBK/ KHMF/ KHMFF	052-053
	板式球阀KHP(PKH)、二位二通板式球阀KHP Disc ball valve KHP(PKH), two-position two-way disc ball valve KHP	055-056
	二位三通板式球阀KHP-3K(PK3) Two-position three-way disc ball valve KHP 3K (PK3)	057-058
	YJZQ型高压球阀 YJZQ type High Pressure Ball Valve	060-061
	YJZQ-DS型带锁球阀系列 YJZQ-DS type ball valve with a lock series	062
	QJH高压球芯截止阀 QJH High Pressure Ball Core Stop Valve	063-065
	CJZQ型球形截止阀(即QJZ) JZQ type High Pressure Ball Valve	066-067
	JZQ型高压球阀 JZQ type High Pressure Ball Valve	068-070
	Q*INS型球阀 Q*INS type ball valve	071-072
	Q型球阀 Q Type Ball Valve	073-074
	JZF型低压截止阀 JZF Type Low-pressure Stop Valve	075
	BBKH-FF/FM系列高压球阀带SAEK矿用快速接头 BBKH-FF /FM series high pressure ball valve with SAEK quick connector	076
	QDF型球式电磁换向阀 QDF Type Ball Type Electromagnetic Selector Valve	078-081
	QDF 10通径球式电磁换向阀 QDF DN10 Ball Type Electromagnetic Selector Valve	082
	矿用防爆型23QDF球式电磁换向阀 Mining anti-explosion type 23QDF ball type electromagnetic selector valve	083
	JZF-G型超高压截止阀 JZF-G Type Ultrahigh Pressure Hydraulic Stop Valve	084
	JZFS型高压液压截止阀 JZFS Type High Pressure Hydraulic Stop Valve	085-089
	JZF或YJF高压截止阀 JZF or YJF high pressure stop valve	090-091
	STU型单向节流阀 STU Type Throttle Check Valve	092

## 目录 Contents

	STB型节流阀 STB Throttle valve	093
	BDF型补偿调压阀、JDF型节流调压阀 BDF type compensation regulator valve, JDF type flow regulator valve	095-097
	油缸安全液控阀组JAF-L6-B-TX Cylinder safety hydraulic control valve set JAF-L6-B-TX	098
	浮动液控锁闭阀AYFL10BTX Floating hydraulic control locking valve AYF-L10B-TX	099
	DBD直动式溢流阀 DBD Directly Moving Overflow Valve	100-102
	先导式溢流阀 Pilot operated relief valve	102
	插装式液控单向阀 Plug-in hydraulic control check valve	103-105
	CYB型高压测压接头、PT系列高压测压接头 CYB type high-pressure pressure testing connector, PT series high-pressure pressure testing connector	106
	PT系列高压测压接头 PT series high-pressure pressure testing connector	107
	CPU蓄能器用箱式充气(氮)工具 CPU Box Type N2 Charging Tool	109
	CQJ-*充气工具 CQJ-*Charging Device	110
	NXQ型蓄能器 NXQ type Energy Storage	111-112
	NXQ系列蓄能器胶囊 NXQ Series Energy Storage Bladder	113
	QCF-5型配国际标准蓄能器充气阀、QXF5充气阀 QCF-5 Type Equip with international standard energy storage charging valve, QXF5 charging valve	114
	KF型压力表开关 KF type pressure gauge switch	115
	SF型梭阀 SF type shuttle valve	116
	VU/SF型梭阀 VU/SF Series Shuttle Valve	117
	GLC系列冷却器 GLC Series Cooler	118-119
	单向阀DIF、A-H系列直通式 AJ系列板式 Check valve DIF, A-H series straight through AJ series cascading disc type	120-121
	ATR系列单向阀 ATR series check valve	122
	VRFU管式单向节流阀 VRFU Tubular Throttle Check Valve	123
	焊接式管接头螺母(JB981-77) Welded Pipe Union Nut (JB981-77)	124



■ 订货示例/Ordering Code

**CDZ** - **25** - **Y1**  
①                      ②                      ③

- ① 名称代号：CDZ充氮车  
Name code: CDZ--Nitrogen charging vehicle
- ② 最高充气压力：25、35、42MPa  
Max charging pressure: 25, 35, and 42 Mpa
- ③ 充气缸换向方式：Y1--液控先导式  
Selector type of the charging cylinder:  
Y1--Hydraulic control pilot type

■ 产品简介 / Production Overview

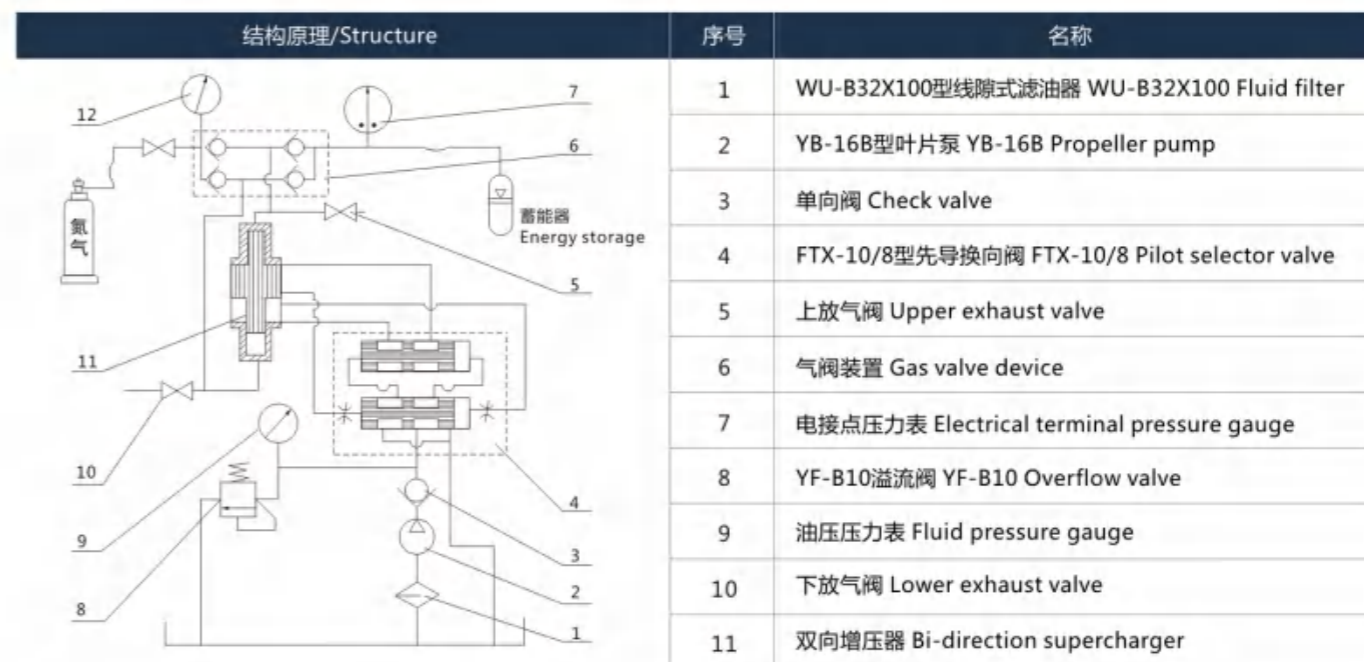
CDZ充氮车是用来对液压囊式蓄能器、活塞式蓄能器、液压隔膜式蓄能器及其他高压容器进行充装并增加氮气压力的专用设备。

通常氮气瓶直接对蓄能器充氮时，其最高充氮压力为13.5MPa。若蓄能器内所需预充的氮气压力超过13.5MPa，则使用本充氮车就可以实现，最高压力可达42MPa。

CDZ nitrogen vehicle is a specialized equipment to fill or w2q storage, piston type energy storage, hydraulic membrane energy storage, and other high pressure tank.

Generally, the nitrogen charging pressure is 13.5Mpa when the nitrogen bottle fills the nitrogen directly to the energy storage. If the energy storage requires charging pressure higher than 13.5Mpa, the nitrogen charging vehicle is applicable since it has the highest pressure of 42Mpa. In addition, gas spring may be applied to increase the pressure.

■ 结构原理/Structure



■ 说明/Note

- 1) 充氮车外形尺寸(长800x宽600x高1500)mm;      1) nitrogen charging vehicle dimensions (L800XW600XH1500)
- 2) 随充氮车提供:      2) Supplied with the nitrogen vehicle;
  - CQJ型充气工具(胶管长3000mm)一套      CQJ type inflating device (pipe length 3000mm) one set
  - 接气源的胶管(长1500mm)一根      Rubber pipe to the nitrogen source (L 1500mm) one pipe

型号 Type	进行压力 Working pressure (MPa)	最高输出压力 Max output pressure (MPa)	油泵/Fluid pump		增压器/Supercharger		重量 Weight (KG)
			压力/Yali (MPa)	流量/liuliang (l/min)	增压比 Pressure ratio	增压次数(次Times/MIN) Pressure times	
CDZ-25Y1	3.0~13.5	25	7	9	1:4	8	338
CDZ-35Y1		35			1:6	6	
CDZ-42Y1		42	8	14~16	1:7	7.5	

■ 注意事项 / Cautions

本产品仅适用于氮气，严禁使用氧气或其他可燃、腐蚀性气体！  
The product is only applicable for nitrogen, never for oxygen or other flammable and corrosive gases.

# 蓄能器安全阀



## 产品简介 / Production Overview

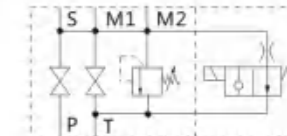
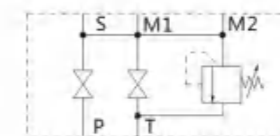
SAF型蓄能器安全截止阀块专业用于国外蓄能器设计的专用阀块，控制蓄能器的油液通断、超压保护以及卸压保护以及卸压放油。主要由一个主截止阀、一个内置溢流阀和一个手动卸荷阀组成。本阀还可选一个插装式二通电磁换向阀，用来自动卸荷。

SAF型安全截止阀块具有性能可靠、结构紧凑、操作方便等特点。SAF type energy storage safety valve block, a specialized valve block applicable for domestic energy storage, is used to control the fluid switching, over pressure protection, pressure releasing protection, and unloading and draining fluid. It is composed of stop valve, internal overflow valve and manual unloading valve. A plug-in two-way electromagnetic selector valve is optional for unloading. SAF type safety stop valve has the advantages of reliable performance, compact structure, and convenient operations.

## 液压原理符号/Hydraulic Principle Codes

带手动卸荷(SAF※M)  
With manual unloading (SAF※M)

带电磁卸荷(SAF※E)  
With electromagnetic unloading (SAF※E)



## 订货示例/Ordering Code

SAF	20	M	1	2	Y	1	N	210	A	-	S13
1	2	3	4	5	6	7	8	9	10		11

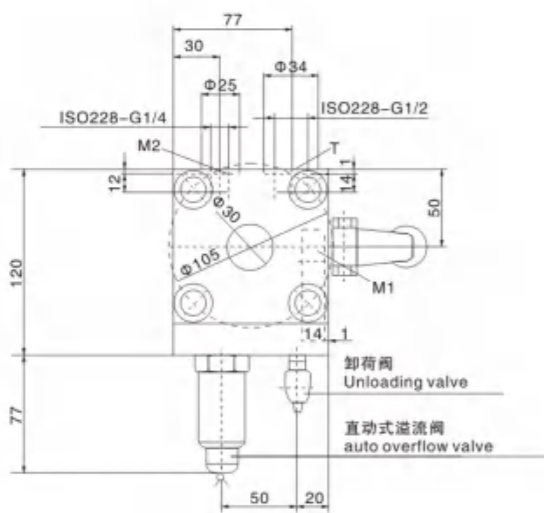
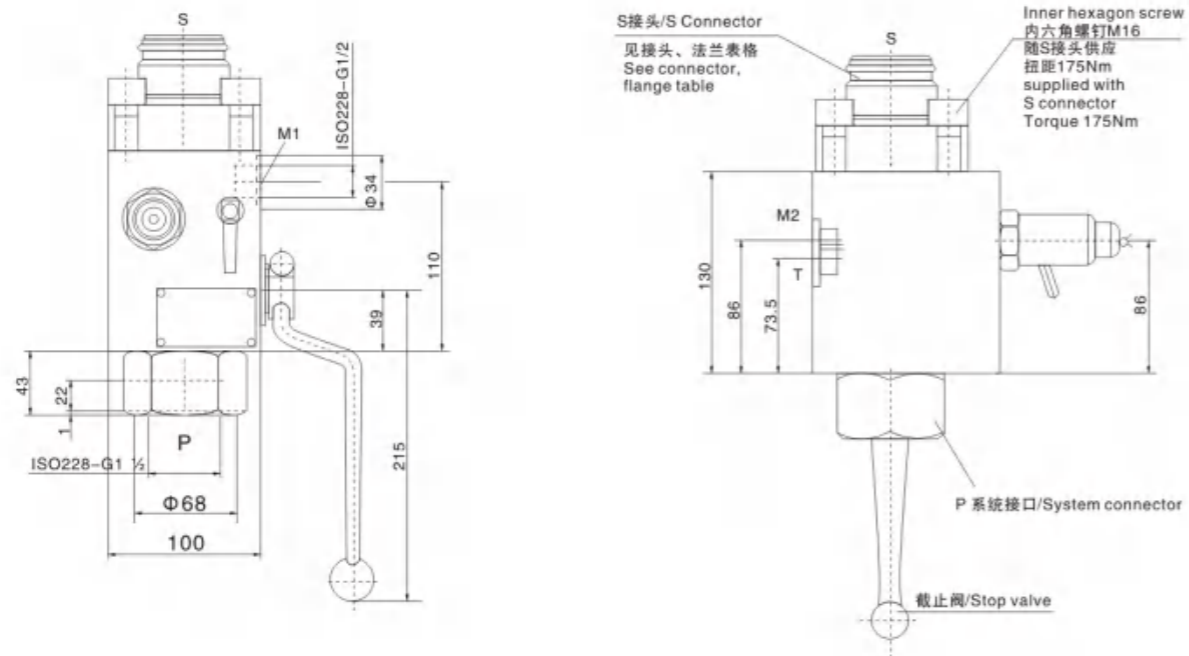
- |  |  |
|--|--|
| <p>① 产品代号：SAF系列安全截止阀块<br/>Product code: SAF series safety stop valve block</p> <p>② 主截止阀规格：公称通径10、20、32<br/>Main stop valve specifications: nominal diameter 10, 20, 32</p> <p>③ 卸荷 M手动卸荷 / Unloading M Manual unload<br/>E电磁阀动作和手动卸荷 / E Electrical and manual unload</p> <p>④ 阀块材料 / Block material：<br/>1--碳钢 / carbon steel    2--不锈钢304 / Stainless steel 304<br/>3--不锈钢316 / Stainless steel 316</p> <p>⑤ 密封材料 / Sealing material：<br/>2--NBR丁腈橡胶 / rubber    5--EPDM    6--FPM氟橡胶</p> <p>⑥ 对电磁阀动作和手动卸荷 / Electromagnetic and manual unload：<br/>Y卸荷不通电 / Start unloading<br/>Z通电卸荷 / Unloading closed</p> | <p>⑦ 电压类型 / Voltage type：<br/>1--24VDC    2--110-115VAC<br/>3--220-230VAC    7--其他 / Others</p> <p>⑧ 溢流阀 / Overflow valve：<br/>N--通过手轮可调 / Adjustable through the spanner</p> <p>⑨ 压力设定值 / Pressure set value：<br/>例如：210bar to 315bar / e.g 210bar to 315bar</p> <p>⑩ 螺纹连接标准 / Thread connecting standard：<br/>A--ISO228(BSP)<br/>B--DIN13, 符合 / conforming to ISO965/1(公制 / nominal)<br/>C--ANSI B1.1(UNF,O形圈密封,符合 ring sealing, conforming to SAE)不带 / without M2测压接口 / pressure testing port</p> <p>⑪ 接头/Connector：<br/>接蓄能器(见五接头：法兰表格)，例如S13-ISO228-G2A<br/>To energy storage (See V. Connector Flange table),<br/>For example S13-ISO228-G2A</p> |
|--|--|





■ 阀块外形尺寸/Valve Block External Dimensions

3.SAF32蓄能器安全截止阀块  
SAF32 energy storage safety valve block



■ 阀块外形尺寸/Valve Block External Dimensions

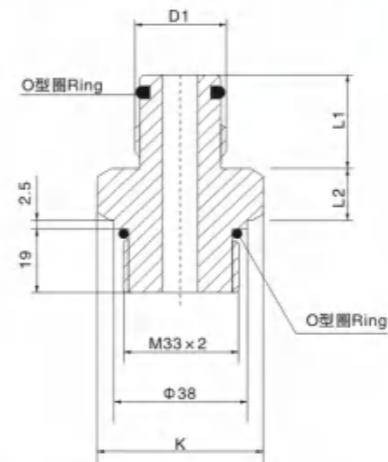


图1  
Diagram 1

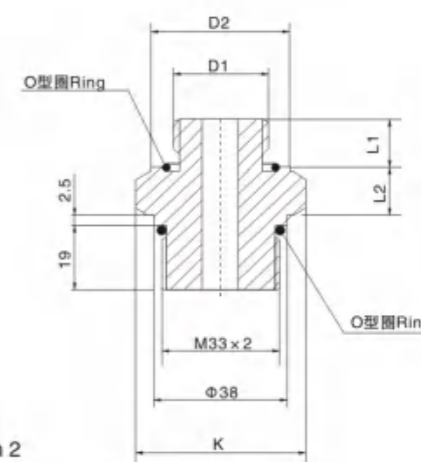


图2  
Diagram 2

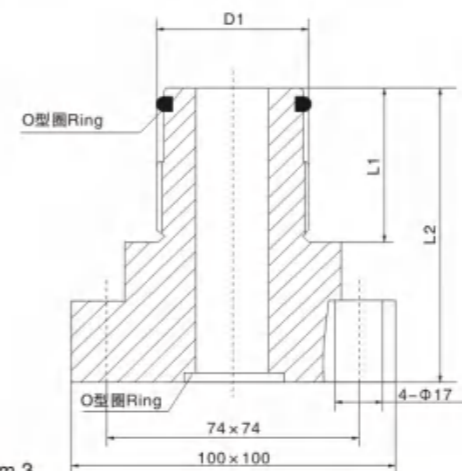


图3  
Diagram 3

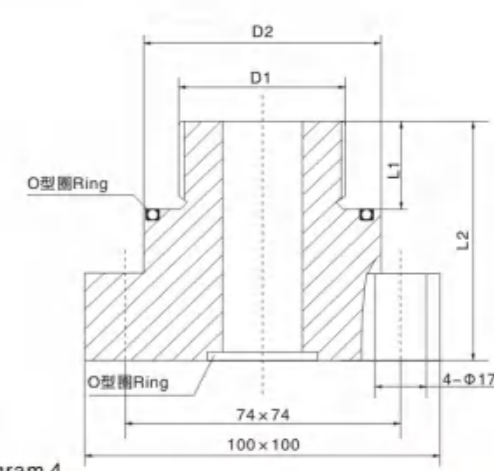


图4  
Diagram 4

接头型号 Connector type	蓄能器型号 Energy storage type	D1连接螺纹 D1 connecting thread	接头 Connector	图号 Diagram No.	KSW	L1 (mm)	L2 (mm)	D2 (mm)	O型圈 O ring	
SAF10/20 DSV 10	SB 330/400-0.5 bis 1 I	G3/4A	S10	1	41	28	15.5		17x3	
	SB 550/600-1 bis 5 I	G1A	S11						22x3	
	SB 330/400-2.5 bis 1 I	G11/4A	S12						30x3	
	SB 330/400-10 bis 50 I	G2A	S13	2	65	44	20.5	40	48x3	
	SB 440/500/600-10 bis 50 I								54	43x3
	公制细牙螺纹连接 Nominal fine thread connecting	M30x1.5	S20		42	15	17.5	40	32x3	
		M40x1.5	S21		55	20	20.5	54	43x3	
		M50x1.5	S22		65	20	20.5	64	53x3	
SAF32	SB 330/400-0.5 bis 1 I	G3/4A	S305	3		28	58		17x3	
	SB 550/600-1 bis 5 I	G1A	S306						22x3	
	SB 330/400-2.5 bis 5 I	G11/4A	S307						30x3	
	SB 330/400-10 bis 50 I	G2	S309						44	74
	SB 440/500/600-10 bis 50 I			S308	115	48x3				
		公制细牙螺纹连接 Nominal fine thread connecting	M30x1.5	S330	4		15	47	45	32x3
		M40x1.5	S340	60						43x3
		M50x1.5	S350	75						53x3

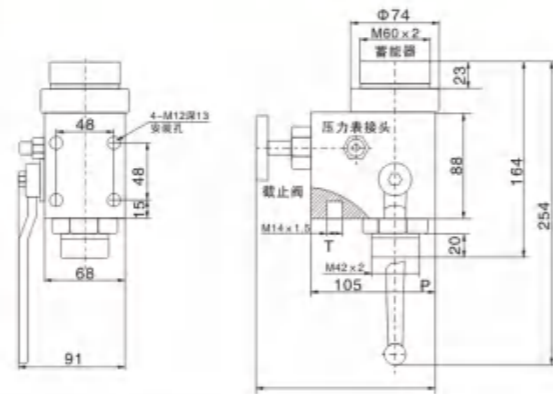
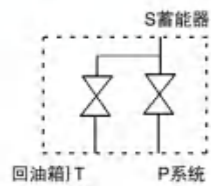


■ 订货示例/Ordering Code

**AJW** - **25** **M60×2** **H**

- 1 名称代号: AJW蓄能器专用球阀
- 2 公称口径: 25
- 3 螺纹尺寸: M42×2 M60×2 M72×2
- 4 压力范围: 10、20、31.5Mpa

■ 图形符号/GraPhic Symbol



■ 订货示例/Ordering Code

**TXD** - **H** **32** - **NPT 1 1/4**

- 1 名称代号: TXD蓄能器专用球阀
- 2 工作压力: H31.5、L20MPa
- 3 公称口径: 25,32
- 4 螺纹连接: NPT1", NPT1 1/4"

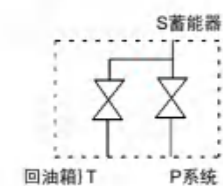


■ 技术规格/Technical specifications

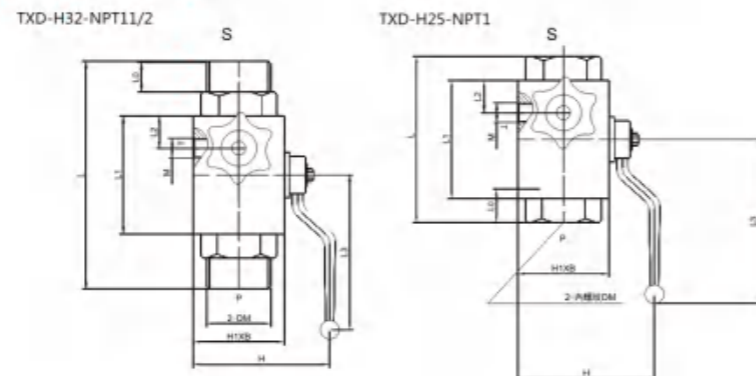
公称压力 / Nominal pressure : 31.5MPa  
适用介质 / Applicable medium : 液压油 hydraulic oil

型号 / Type	L	L1	L2	L3	H1XB	M	DM	H	L0
TXD-H25-NPT1	125	88	25	155	68*105	ZG1/4	NPT1	116	22
TXD-H32-NPT11/4	171	88	25	155	68*105	ZG1/4	NPT11/2	116	22

■ 图形符号/GraPhic Symbol



■ 外形尺寸/Cosmetic dimensions



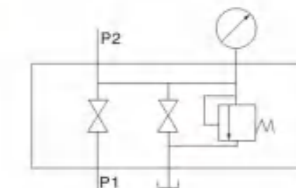
■ 订货示例/Ordering Code

**AQF** - **L** **25** **H1** - **A** **M60x2**

- 1 名称代号: AQF--安全球阀  
Name code: AQFsafety ball valve(4) Pressure adjusting range
- 2 P油口连接方式/P fluid connecting mode :  
L--直通式内螺纹/L--Straight through internal thread  
Ls--直角式外螺纹/Ls--Right angle external thread  
Lw--三通式外螺纹/Lw--three-way external thread
- 3 公称口径/Nominal diameter : 25、32、40MM
- 4 压力调节范围/Pressure adjusting scale :  
H1--10MPa H2--20MPa H3--31.5MPa
- 5 安全阀结构/Safety valve structure :  
A直动形溢流阀/A straight through overflow valve
- 6 蓄能器连接/Energy storage connector :  
M27x2、M42x2/M60x2、M72x2



■ 液压原理符号/Hydraulic Principle Codes



■ 产品简介/Production Overview

AQF型安全球阀主要用于液压囊式蓄能器作为安全、断流和卸荷的蓄能器附件。安全阀可保持系统中的压力调定值。当压力超过调定值时，安全阀开启，防止系统过载，特别是封闭系统中的蓄能器更不可缺少，而防止外负荷的突然加大所造成系统的危害。

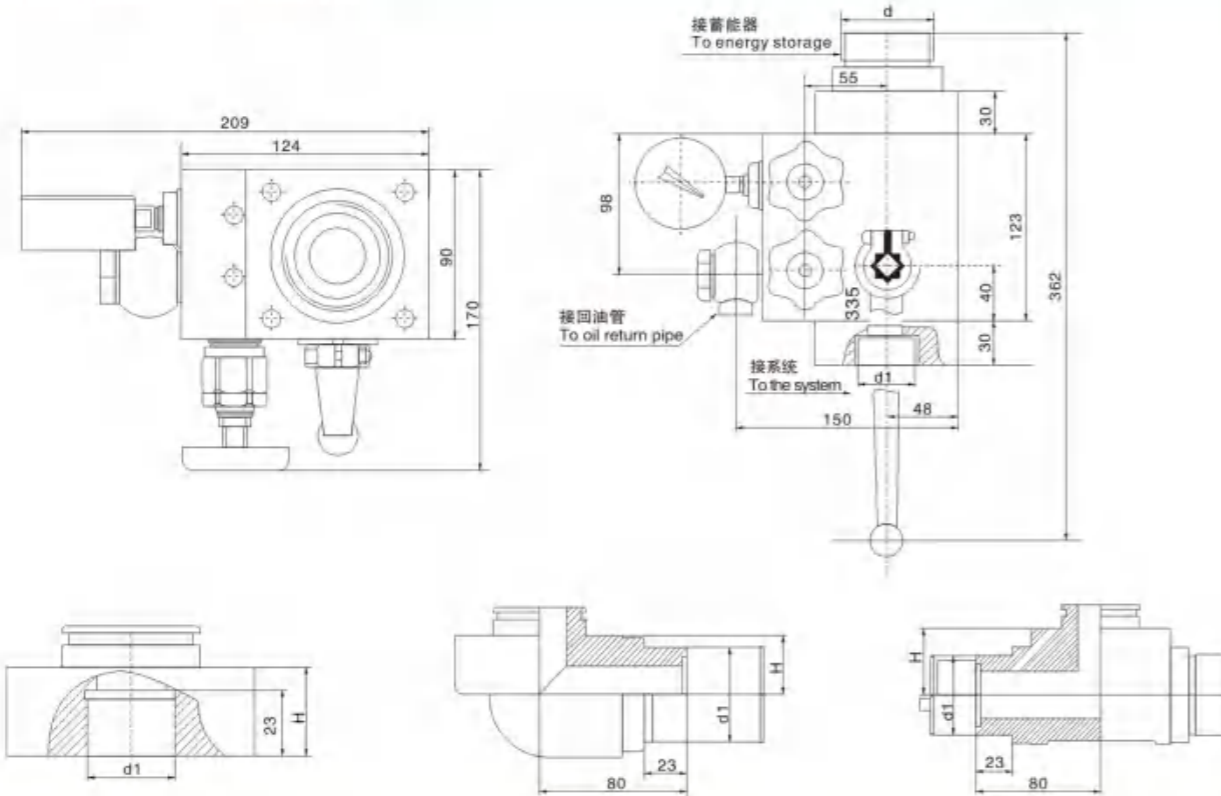
特点: 结构紧凑、体积小, 安全方便, 操作简单。

AQF type safety ball valve, as a type of hydraulic bladder energy storage, is used for safety, circuit break, and unloading. The safety valve may keep the system pressure at the set value. When the pressure overpasses the set value, the safety valve will open to avoid overload. It is especially important for the closure system to minimize the damage to the system resulting from sudden increase of load.

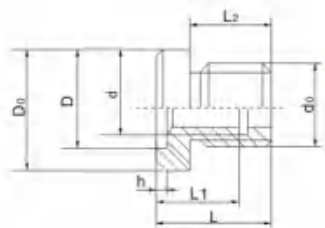
Feature: compact structure, small size, safe and convenience, simple operation.

蓄能器安全球阀  
国际标准高压球阀  
SAE标准溢流阀  
板式高压球阀  
高压球阀  
球式电磁球阀  
油缸控制阀块  
蓄能器及附件

外形尺寸/Cosmetic dimensions



型号 Type	公称流量 L/min Nominal flow		连接尺寸 Connector dimensions			配用蓄能器型号 Energy storage type	重量 Weight
	安全阀 Safety valve	球阀 Ball valve	H	d	d1		
AQF-L25H※-A	40	100	31	M27x2	M33x2	NXQ-※1.6~10/※-R	29
AQF-LS25H※-A			42		M42x2		
AQF-LW25H※-A			42	M42x2			
AQF-L32H※-A	63	160	31	M42x2	M42x2	NXQ-※10~100/※-R	29.5
AQF-LS32H※-A			42		M60x2		
AQF-LW32H※-A			42	M52x2			
AQF-L40H※-A	100	250	31	M60x2	M48x2	NXQ-※10~100/※-R	30
AQF-LS40H※-A			42		M72x2		
AQF-LW40H※-A			42	M60x2			



补芯型号 Bushing type	d0	d	D0	D	h	L	L1	L2	重量(kg) Weight
QF-L25	M60x2	M42x2	80	Φ68	2.4-0.05	50	28	35	1.52
QF-L40	M72x2	M60x2	95	Φ80	2.4-0.05	60	38	42	2.15

利用补芯可扩大AQF安全球阀的使用范围，例如100升蓄能器只需装配一件补芯就可选用配备1.6-6.3的小型安全球阀，亦可解决蓄能器接小管径的问题；同时也解决进口蓄能器与国产蓄能器互换性的问题。

Bushing may increase the application range of AQF safety ball valve. For example, 100L energy storage may work with 1.6-6.3 small-sized safety ball valve only with one bushing, solving the problem of the small diameter of the energy storage and the connectivity of the imported energy storage with the domestic energy storage.



订货示例/Ordering Code

AJ ※ S - 32 H Z / M60x2

- 蓄能器控制阀组代号 Energy storage control valve set code
- T油口相对P油口位置 T port position related to P port :  
无--同侧 / None- same side 1--异侧 / 1nonstandard
- 卸荷形式 Unloading methods :  
S手动(标准型) / S Manual (standard)  
Dk断电卸荷 / Dk Unloading without power supply  
Db通电卸荷 / Db Unloading with power supply
- 公称通径 Nominal diameter :  
10, 20, 32(mm)
- 安全阀最大调节压力 Safety valve max adjusting pressure:  
a--6.3MPa b--16MPa c--25MPa H--31.5MPa  
无--不带安全阀/None-Without safety valve
- 溢流阀结构代号 : Z螺纹插装式直动形溢流阀  
Z thread plug-in directly moving overflow valve  
C--二通插装式溢流阀/C--Two-way plug-in overflow valve  
无--不带安全阀/None- Without safety valve
- S口(蓄能器)接头螺纹/S port (energy storage) connector thread :  
M27x2或(or)42x2(DN10) M42x2或(or)60x2(DN20)  
M60x2或(or)72x2(DN32)

产品简介/Production Overview

AJ型蓄能器控制阀组，安装于蓄能器和液压系统之间，控制蓄能器油液的通断、压力超载保护以及卸压放油。其组成和各部件的作用是：手动球阀油液的通断；螺纹插装式直动形溢流阀或插装式先导溢流阀压力超载保护；针形截止阀或球式电磁换向阀或二通插装式电磁溢流阀卸压放油。为使无电状态下蓄能器卸压放油，电控式阀组仍保留针形截止阀。

AJ型控制阀组具有性能可靠、外表美观、结构紧凑、操作方便等特点。

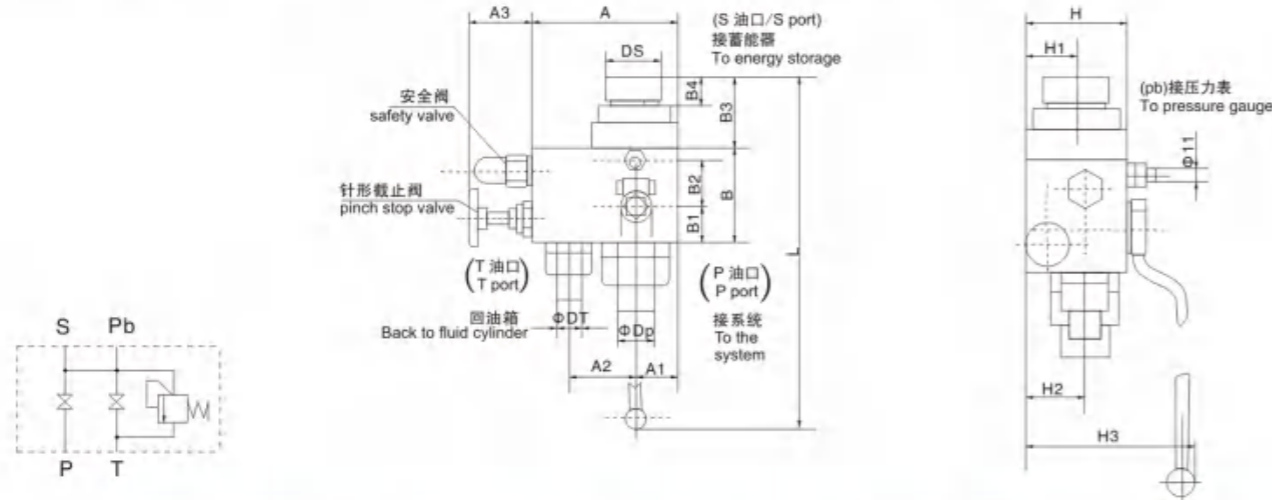
AJ type energy storage control valve set, fixed between the energy storage and the hydraulic system, is used to control the switching and overpressure protection and to drain the fluid at pressure releasing. The roles of various parts: manual ball valveswitching of the hydraulic fluid; thread plug-in directly moving overflow valve or plug-in pilot overflow valveover pressure protection; pinch stop valve or ball electromagnetic selector valve or two-way plug-in electromagnetic valve unload the pressure and drain the fluid. The electrical valve set adopts the stop valve type to unload the pressure and drain the fluid when the storage energy is out of power supply.

AJ type control valve set has the advantages of reliability, beautiful cosmetic and convenient operations.

■ 外形尺寸/Cosmetic dimensions

(1) AJS\*\*Z / \*\*手动卸荷式(T口与P口同侧)DN10-32

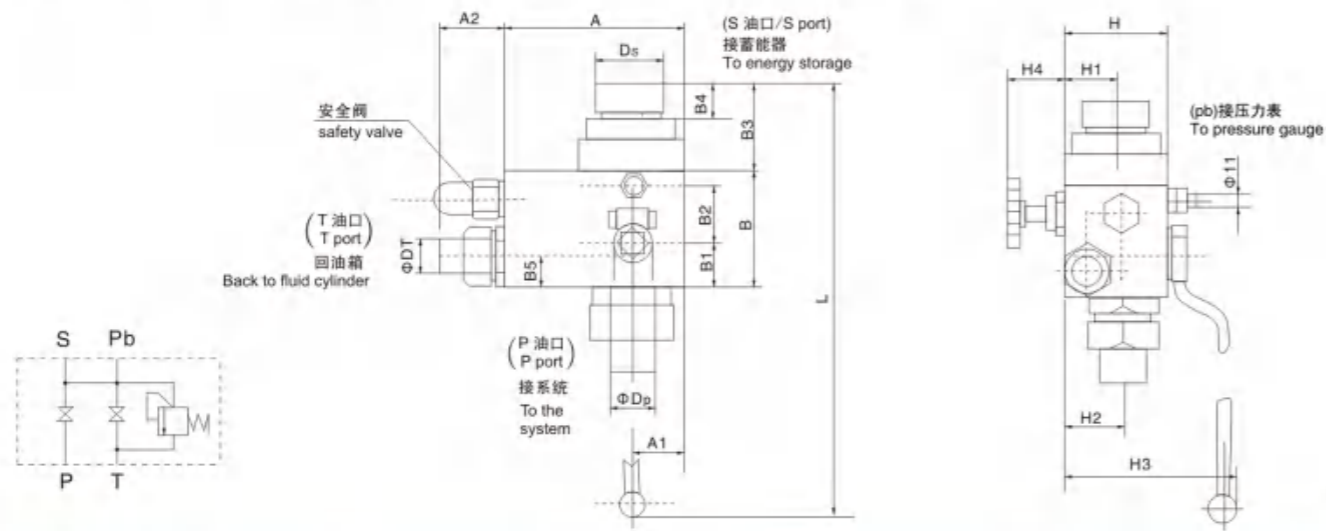
AJS\*\*Z / \*\*manual unloading (T port and P port at the same side) DN10-32



DN	A	B	H	L	A1	A2	A3	B1	B2	B3	B4	H1	H2	H3	DS	DP	DT
10	90	85	50	236	25	45	68	21	39	43	16/23	25	27.5	85	M27x2/M42x2	18	16
20	145	90	90	333	45	59	68	30	40	63	23	45	57.5	149	M42x2/M60x2	28	28
32	155	100	90/95	340	45	72	68	38	47	75	30	45/47.5	52/54.5	154/159	M60x2/M72x2	42	28

(2) AJ1S\*\*Z / \*\*手动卸荷式(T口与P口异侧)DN10-32

AJ1S\*\*Z / \*\* Manual unloading (T port and P port at the same side) DN10-32

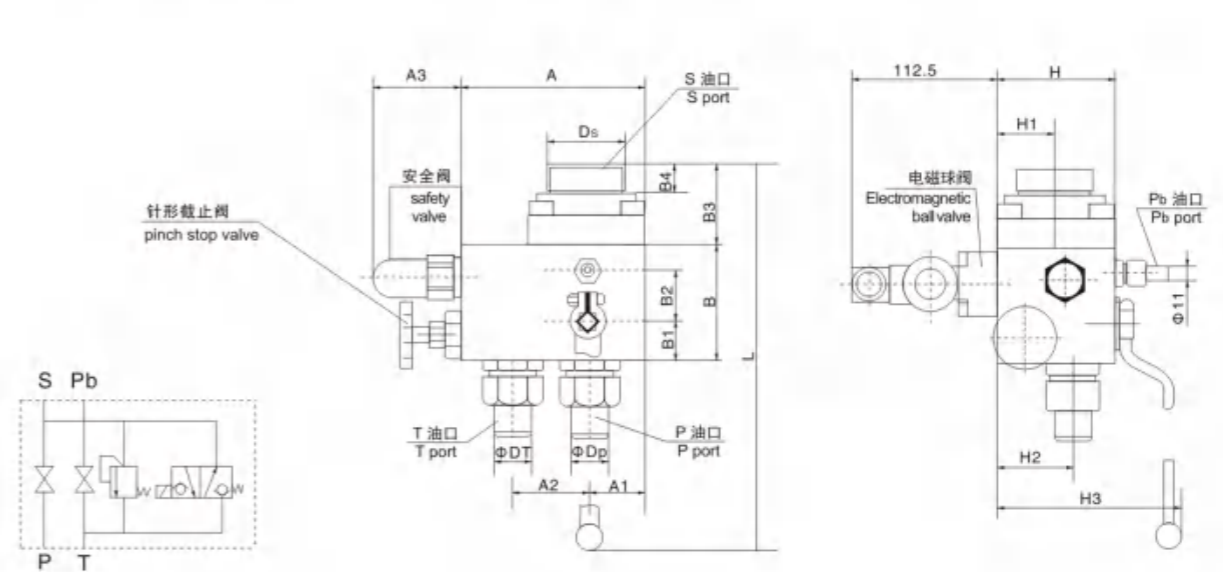


DN	A	B	H	L	A1	A2	B1	B2	B3	B4	B5	H1	H2	H3	H4	DS	DP	DT
10	90	85	50	236	25	45	21	39	43	16/23	20	25	27.5	85	40	M27x2/M42x2	18	16
20	145	90	90	333	45	59	30	40	63	23	20	45	57.5	149	43	M42x2/M60x2	28	28
32	155	100	90/95	340	45	72	38	47	75	30	25	45/47.5	52/54.5	154/159	50	M60x2/M72x2	42	28

■ 外形尺寸/Cosmetic dimensions

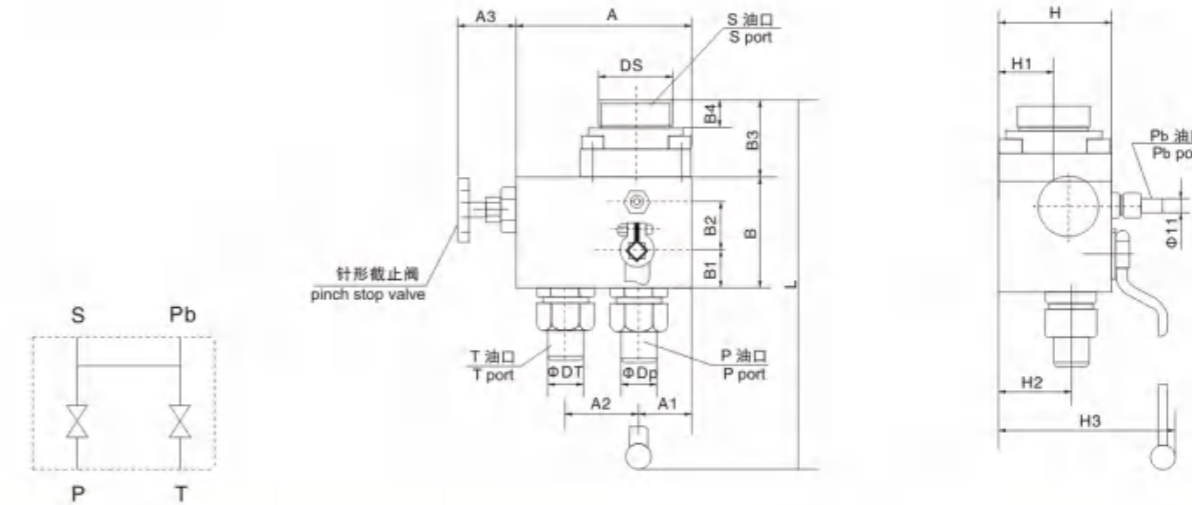
(3) AJDB\*\*HZ / \*\*电控卸荷形式(T口与P口同侧)DN10-32

AJDK\*\*HZ/\*\*Electrical unloading (T port and P port at the same side) DN10-32



(4) AJS\*\* / \*\*无一安全阀形式(T口与P口同侧)DN10-32

AJS\*\* / \*\* no safety valve type (T port and P port at the same side) DN10-32



DN	A	B	H	L	A1	A2	A3	B1	B2	B3	B4	H1	H2	H3	DS	DP	DT
10	90	85	50	236	25	45	68	21	39	43	16/23	25	27.5	85	M27x2/M42x2	18	16
20	145	90	90	333	45	59	68	30	40	63	23	45	57.5	149	M42x2/M60x2	28	28
32	155	100	90/95	340	45	72	68	38	47	75	30	45/47.5	52/54.5	154/159	M60x2/M72x2	42	28

蓄能器及安全阀  
国际标准高压球阀  
SAE标准球阀  
板式高压球阀  
高压球阀  
球式电磁阀  
油缸控制阀块  
蓄能器及附件


**订货示例/Ordering Code**

**AJF** - **※** **40** **※** - **TX**

①                      ②                      ③                      ④                      ⑤

**① 名称代号: AJF--安全截止阀**

Name code: AJFsafety stop valve

**② 名称代号: AJF--安全截止阀**

 H1--10MPa  
 H2--20MPa  
 H3--31.5MPa

**③ 公称通径 Nominal diameter:**

25、40、50mm

**④ 连接方式:**

 L--直通式 Straight Through  
 Ls--直角式 Right Angle Type  
 Lw--三通式 Right Angle Type

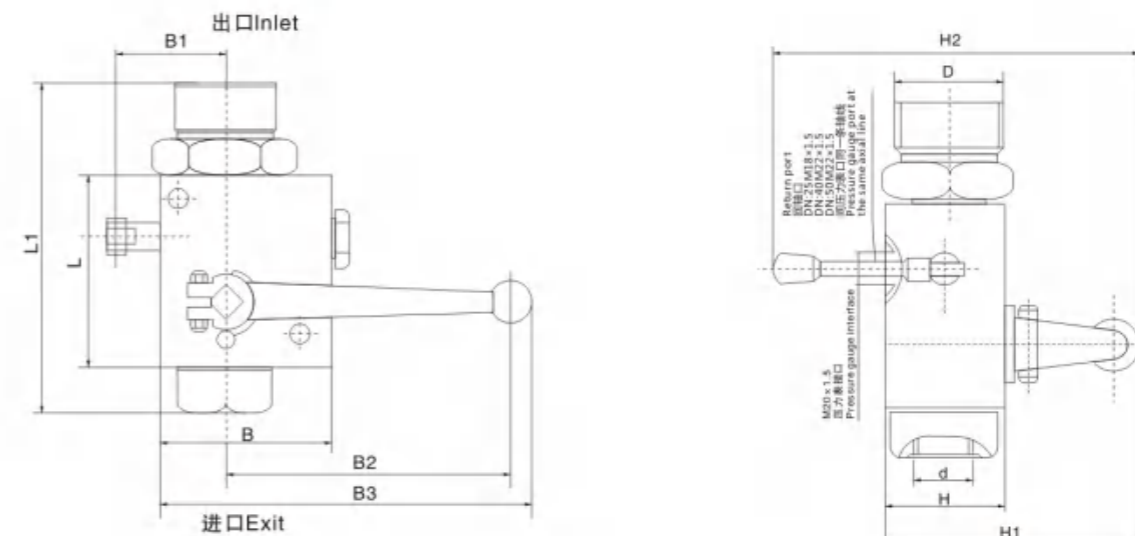
**⑤ 制造商代号 Manufacturer code:**

Tx--泰新液压 Taixin hydraulic

**产品简介/Production Overview**

AJF安全截止阀是一种蓄能器配套使用的新型液压元件。可作为截止阀装在蓄能器与系统相连的管道之间，并具有限压保护，放油卸压等保护蓄能器的功能。阀体上设有测压油口，可检测蓄能器的工作压力。此阀集溢流、截止、卸荷等功能于一身，体积小、重量轻、结构简单紧凑，操作拆装方便。可以大大提高蓄能器的使用寿命和安全可靠性。

AJF safety stop valve is a new type hydraulic component for energy storage. It is used for connections between the energy storage and the system as stop valve. It also has pressure limiting protection, draining fluid and pressure releasing protection. There is a fluid testing port on the valve to test the working pressure of the energy storage. The valve has the integrated functions of overflow, stopping, and unloading. It has the advantages of small size, light weight, simple and compact structure, convenient removal and installations, prolonging the performance life and upgrading safety reliability.

**外形尺寸/Cosmetic dimensions**


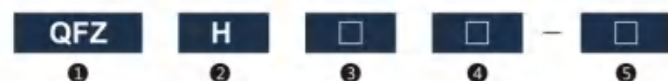
型号 Type	总体尺寸 / General dimensions									连接尺寸 Connecting dimensions		重量 Weight
	L	L1	B	B1	B2	B3	H	H1	H2	D	d	
AJF-H 25L※-F "H2" "H3"	110	179	100	61	170	218	68	140	200	M42x2	M33x2	6.8
AJF-H 40L※-F "H2" "H3"	146	234	130	75	240	300	96	178	228	M60x2	M48x2	13.5
AJF-H 50L※-F "H2" "H3"	160	262	140	80	280	346	115	206	247	M72x2	M60x2	18.5

蓄能器型号 Energy storage type	安全截止阀型号 Safety stop valve type	公称压力 Nominal pressure	公称流量 Nominal flow
NXQ-1.6~6.3/10-R NXQ-1.6~6.3/20-R NXQ-1.6~6.3/31.5-R	AJF-H125L※-F AJF-H225L※-F AJF-H325L※-F	10 20 31.5	160
NXQ-10~40/10-R NXQ-10~40/20-R NXQ-10~40/31.5-R	AJF-H140L※-F AJF-H240L※-F AJF-H340L※-F	10 20 31.5	400
NXQ-63~100/10-R NXQ-63~100/20-R NXQ-63~100/31.5-R	AJF-H150L※-F AJF-H250L※-F AJF-H350L※-F	10 20 31.5	630

 蓄能器安全阀  
 国际标准高压球阀  
 SAE法兰球阀  
 板式高压球阀  
 高压球阀  
 球式电磁截止阀  
 油缸控制阀块  
 蓄能器及附件



■ 订货示例/Ordering Code



① 蓄能器安全开关阀组

Energy storage safety switch valve set

② 公称压力 Nominal pressure :

10~31.5MPa

③ 调压范围 Pressure adjusting range :

b-2~10MPa c-8~20MPa  
d-16~31.5MPa

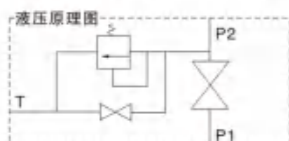
④ 公称通径 Nominal diameter :

15、25、40、50mm

⑤ 连接方式 Connecting methods :

F 焊接法兰 Fflange welding  
L 螺纹连接 Threaded connections  
1、公制螺纹连接 Nominal thread connection  
2、NPT美制连接 NPT American connection

■ 液压原理符号/Hydraulic Principle Codes

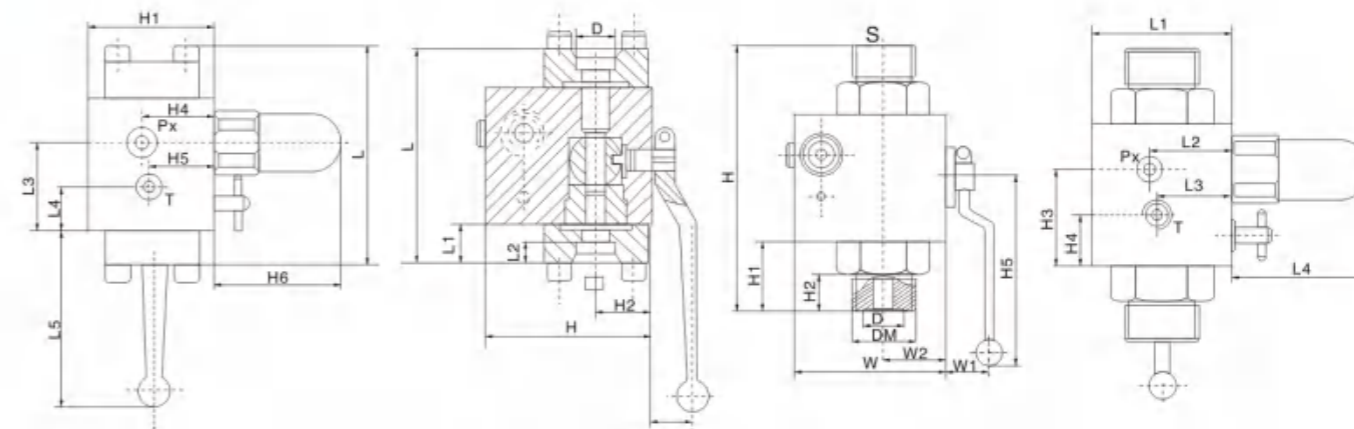


■ 产品简介/Production Overview

QFZ系列蓄能器控制阀组由高压球芯截止阀、直控式溢流阀及一个小型截止阀组成。以高压球芯截止阀为手动主开关阀，直控溢流阀作为安全阀，小型截止阀为泄荷阀，是液压系统内蓄能器回路中不可缺少的三种阀的组合物。QFZ型蓄能器控制阀组另一主要特点是选用法兰直接焊接外连接结构，可大大降低蓄能器排列高度。

QFZ series energy storage is composed of high pressure ball core stop valve, direct control overflow valve, and a small-size stop valve. High pressure ball core stop valve is used as manual main switch valve and direct control overflow valve is used as safety valve, small-size stop valve used as unloading valve. They are the indispensable valve components of the energy storage in the hydraulic system. QFZ type energy storage control valve is welded to the connecting parts through flanges, lowering the height of the energy storages.

■ 外形尺寸/Cosmetic dimensions



型号 / Type	L	L1	L2	L3	L4	L5	H	H1	H2	H3	H4	H5	H6	D	T	Px	重量 / Weight
QFZ-H*-15F	115	20	11	53	25	98	90	75	30	22	60	40	75	Φ22.5	M14x1.5	M10x1	5
QFZ-H*-25F	155	25	14	75	30	124	110	90	40	23	65	48	68	Φ35	M18x1.5	M10x1	9
QFZ-H*-40F	180	30	15	90	35	154	140	100	49	36	65	45	68	Φ52	M18x1.5	M12x1.5	19
QFZ-H*-50F	230	35	15	115	56	160	150	110	68	35	70	45	68	Φ64	M22x1.5	M12x1.5	27

型号 Type	Dn (mm)	基本尺寸mm																重量 Weight	
		L1	L2	L3	L4	H	H1	H2	H3	H4	H5	W	W1	W2	D	DM	内螺纹 Internal thread		外螺纹 External thread
QFZ-H*-15L	15	75	60	40	68	129	28	18	53	25	130	90	33	30	25	M27x2			5
QFZ-H*-25L	25	90	65	48	68	167	31	20	75	30	170	110	44	40	35	M42x2	Z1"	Z1 1/2"	9
QFZ-H*-40L	40	100	65	45	68	194	40	24	90	35	210	140	45	49	40	M60x2			19
QFZ-H*-50L	50	120	70	45	68	234	40	24	115	56	250	150	50	68	50	M72x2			27



■ 订货示例/Ordering Code

XJF - ※ / 10

① ② ③

① 阀组代号 / Valve set code :

XJF--P油口焊接式法兰 Port Welding Type Flange  
XJ1F--P油口外螺纹 Port External Thread

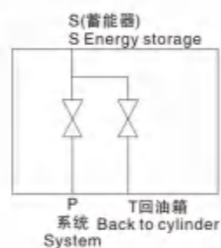
② 公称口径 Nominal diameter :

10、20、32、40、50mm

③ 排放口口径 / Drainage diameter :

10mm

■ 液压原理符号/Hydraulic Principle Codes



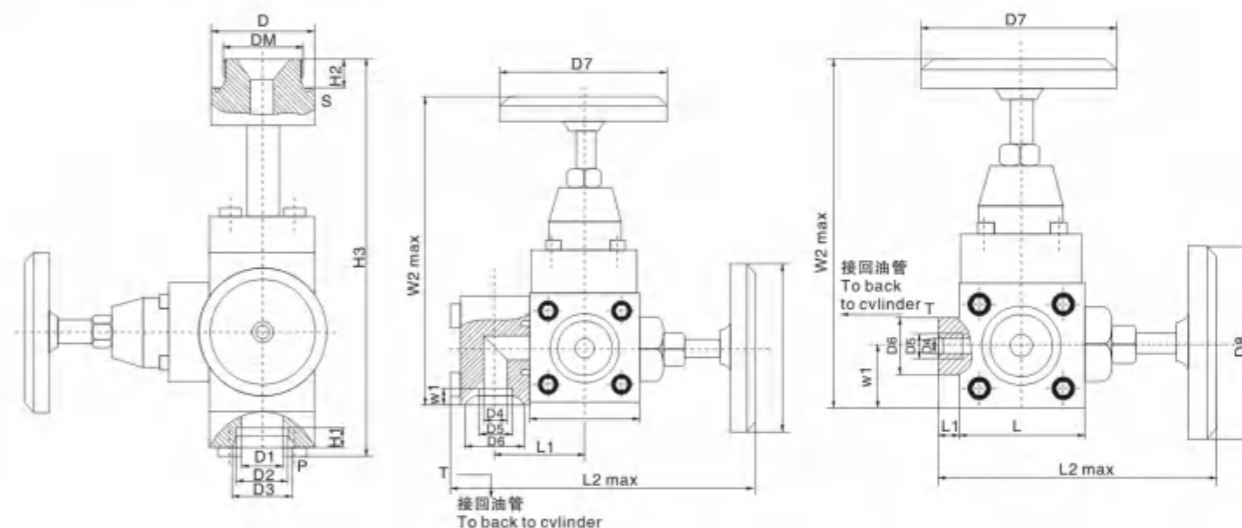
■ 产品简介/Production Overview

XJF截止阀为蓄能器专用截止阀。主阀芯为液压平衡锥阀式，本阀专为蓄能器拆卸设计了排放油口。

本阀的特点是开启力小、密封可靠、体积小、重量轻。结构简单、性能优良，可代替HIROSE、VALVE、INDUSTRY、COLTD公司的蓄能器截止阀。

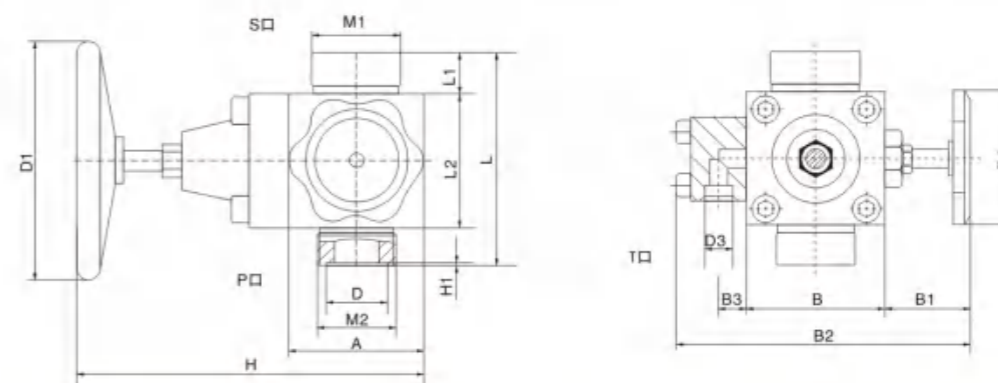
XJF stop valve is a specialized stop valve for energy storage. The main valve core is a hydraulic balance cone valve. Fluid drainage hole is designed for removing the energy storage. The valve has the advantages of small opening force, reliable sealing, small capacity, light weight, simple structure, and high performance. It may replace energy storage stop valve manufactured by HIROSE, VALVE, IND-USTRY, COLTD.

■ 外形尺寸/Cosmetic dimensions



型号 Type	Dn (mm)	排方口口径 (mm) Drainage diameter	公称流量 Nominal flow (L/min)	基本尺寸 / Basic dimensions(mm)											
				L	L1	L2	W1	W2	H1	H2	H3	D	D1	D2	D3
XJF-10/10	10	10	40	58	42	163	10	170	10	20	236	55	10	18.5	38
XJF-20/10	20		100	58	44	163	10	170	10	20	236	55	20	28.5	38
XJF-32/10	30		160	76	46	190	12	225	16	25	325	80	32	43	55
XJF-40/10	40		250	92	48	207	46	250	18	25	334	80	40	51	62
XJF-50/10	50		400	100	50	210	48	280	20	38	380	90	50	61	65

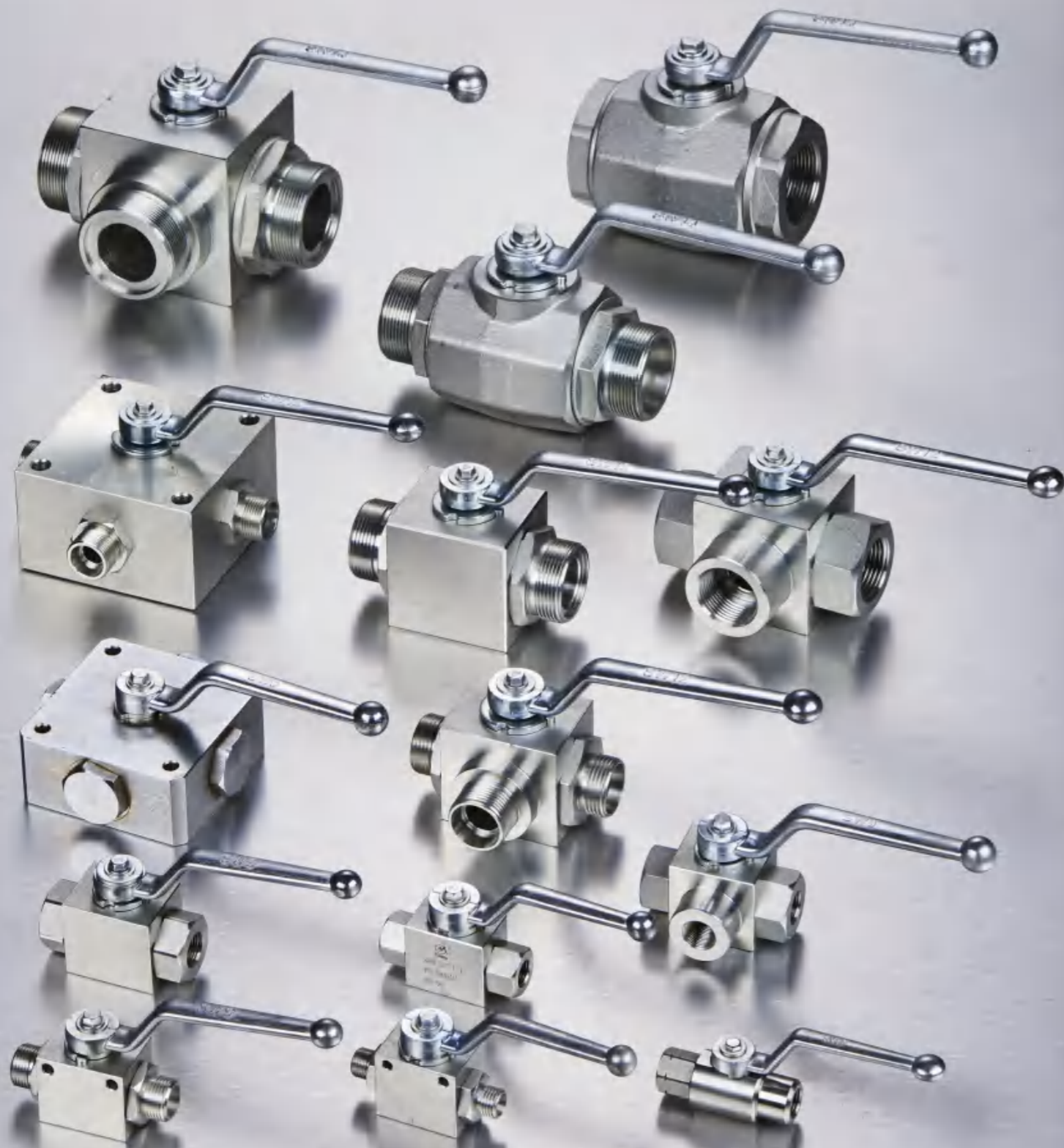
型号 Type	基本尺寸 / Basic dimensions(mm)						适用蓄能器型号 Applicable energy storage type	重量 Weight
	D4	D5	D6	D7	D8	DM		
XJF-10/10	12	18	24	125	92	M42x2	NXQ-1.6~L10/※-R	7
XJF-20/10	12	18	24	125	92	M42x2		7
XJF-32/10	12	18	40	155	107	M60x2	NXQ-1.6~L10/※-R	13
XJF-40/10	12	M22x1.5	40	155	107	M60x2		16
XJF-50/10	12	M22x1.5	40	155	107	M72x2		25



型号Type	H	H1	B	B1	B2	B3	L	L1	L2	H2	D	D3	D1	D2	M2	M1
XJ1F-20/10	58	170	58	67	163	15	94	18	58	2.4	30	18.5	125	90	M36x2	M42x2
XJ1F-32/10	80	198	80	60	182	18.5	127	25	80	2.4	40	18.5	160	90	M52x2	M60x2



# 国际标准高压球阀



## ■ 订货示例/Ordering Code

KHB(BKH)	G1/2	1	1	1	2	01	X	-
1	2	3	4	5	6	7	8	9

### 1 型号 Type

KHB(BKH)=阀块型球阀DN04-25 / valve block type ball valve DN04-25  
KHM(MKH)=袖套型球阀DN32-50 / sleeve type ball valve DN32-50

### 2 连接形式 Connecting methods

螺纹规格或管子外径和连接形式对照表格  
Reference table for thread specifications or pipe external diameter and connecting methods  
NPT(PT)连接美标NPT(PT) / NPT (PT) connection American standard NPT (PT)  
UN / UNF的内螺纹连接 / UN/UNF internal thread connection

### 3 阀体, 接头体材料 Valve body and connector material :

1-碳钢 4-不锈钢 1-carbon steel 4-Stainless steel

### 4 球体和控制芯轴材料 Valve body and control core shaft material :

1--合金钢 2--黄铜 4--不锈钢 1--Alloy steel 2--Brass 4--Stainless steel

### 5 球体密封材料 : 1-POM / ball body sealing material: 1-POM

### 6 接头体和控制芯轴密封圈材料 Sealing ring materials for connector and control core shaft :

2--丁晴橡胶 4--氟橡胶 2--NBR 4--fluororubber 注: 材料1112为常规组合 / NOTE: material 1112 are common combinations

### 7 手柄型式 Handle type

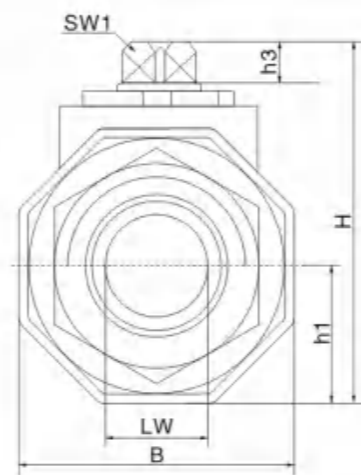
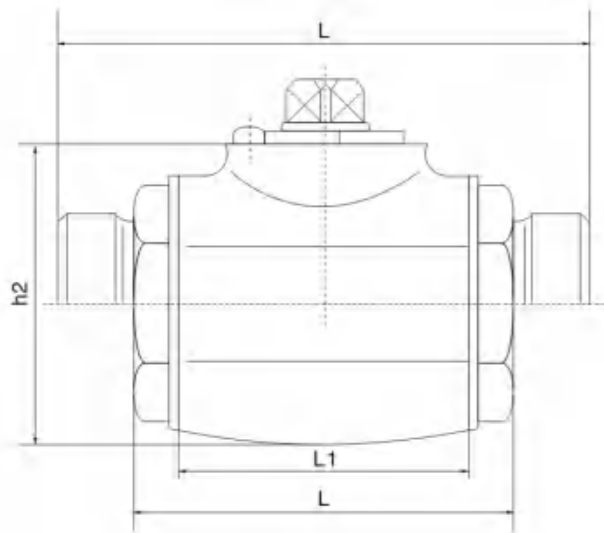
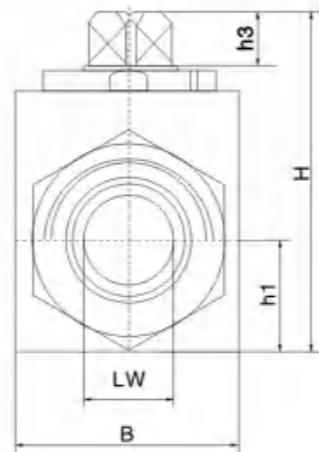
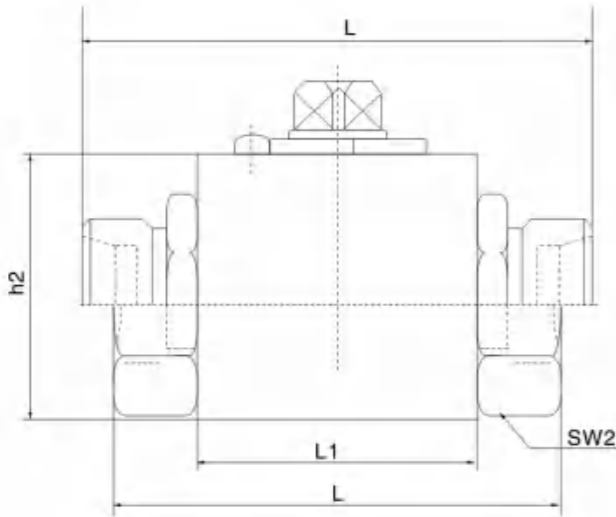
01=铝质抱箍式手柄, 直柄(AG) / aluminum hold loop handle, straight handle (AG)  
02=铝质抱箍式手柄, 曲柄(AK) / aluminum hold loop handle, crane handle (AK)  
03=镀锌抱箍式手柄, 直柄(ZG) / galvanized hold loop handle, straight handle (ZG)  
04=镀锌带安装螺栓的手柄, 曲柄(ZK) / galvanized hold loop handle with installation bolts, crane handle (ZK)  
06=钢质带安装螺栓的手柄, 曲柄(SK) / steel handle with installation bolts, crane handle (SK)  
09=无手柄 / no handle

### 8 系列 Series(由制造商定 by the manufacturer)

### 9 表面保护 Surface protection

无=磷化 None=phosphorization G= 镀黄锌 G= yellow zinc plating  
W=环保锌(三价格) W=Environmental protection zinc (trivalency)

■ 外形尺寸/Cosmetic dimensions



连接形式 Connecting methods	型号 Type	DN	PN (bar)	LW	RA	d1	i	L	L1	B	H	h1	h2	h3	SW1	SW2
符合JB984-77标准 External thread conforming to JB984-77 standards 外螺纹 / External thread M 注：配用JB981-77标准螺母 和JB2099-77标准接管，以 及GB-1235标准O型密封圈 NOTE: Conform to JB981-77 standard nut and JB2099-77 standard connecting pipe, and GB-1235 standard O ring sealing ring.	KHB-M12x1.25	04	500	04	08	M12x1.25	10	61	40	27	48	15	35	8	09	19
	KHB-M16x1.5	06	500	06	11	M16x1.5	11	69	40	27	48	15	35	8	09	19
	KHB-M22x1.5	08	500	08	16	M22x1.5	12	76	42	32	53	17	36	8	09	27
	KHB-M27x1.5	10	500	10	20	M27x1.5	12	76	42	32	53	17	36	8	09	27
	KHB-M30x1.5	16	400	15	24	M30x1.5	13	84	47	38	62	19	45	11	09	32
	KHB-M36x2	20	315	19	30	M36x2	15	103	60	48	75	24.0	55	11	12	41
	KHB-M42x2	25	315	24	35	M42x2	18	116	64	57	82	28.5	64	11	12	50
	KHM-M52x2	32	315	30	40	M52x2	20	149	84	75	102.7	37.5	84.2	12	14	60
	KHM-M60x2	40	315	36	45	M60x2	22	163	91	85	113.7	42.5	95.2	12	14	70
	KHM-M72x2	50	315	48	60	M72x2	24	178	100	105	131.2	52.5	95.2	12	17	80
G	KHB-G1/8	04	500	06	-	G1/8	10	69	40	27	48	13	35	8	09	19
	KHB-G1/4	06	500	06	-	G1/4	14	69	40	27	48	13	35	8	09	22
	KHB-G3/8	10	500	10	-	G3/8	14	72	42	32	53	17	36	8	09	27
	KHB-G1/2	13	500	12	-	G1/2	16	83	48	35	53	17	40	8	09	30
	KHB-G1/2	16	400	15	-	G1/2	16	83	47	38	62	19	45	11	09	32
	KHB-G3/4	20	315	20	-	G3/4	18	95	60	48	75	24.0	55	11	12	41
	KHB-G1	25	315	25	-	G1	20.5	113	64	57	82	28.5	64	11	12	50
	KHM-G1¼	32	315	30	-	G1¼	22	110	84	75	102.7	37.5	84.2	12	14	60
	KHM-G1½	40	315	38	-	G1½	24	130	91	85	113.7	42.5	95.2	12	14	70
	KHM-G2	50	315	48	-	G2	26	140	100	105	131.2	52.5	112.7	12	17	80
LR	KHB-06LR	04	500	04	06	M12x1.5	10	67	40	27	48	13	35	8	09	19
	KHB-08LR	06	500	06	08	M14x1.5	10	67	40	27	48	13	35	8	09	19
	KHB-10LR	08	500	08	10	M16x1.5	11	74	42	32	53	17	40	8	09	27
	KHB-12LR	10	500	10	12	M18x1.5	11	74	42	32	53	17	36	8	09	27
	KHB-15LR	13	500	12	15	M22x1.5	12	82	48	35	53	17	40	8	09	30
	KHB-15LR	16	400	12	15	M22x1.5	12	82	47	38	62	19	45	11	09	32
	KHB-18LR	13	315	12	18	M26x1.5	12	82	48	35	53	17	40	8	12	30
	KHB-18LR	16	315	15	18	M26x1.5	12	82	47	38	62	19	45	11	12	32
	KHB-22LR	20	315	19	22	M30x2	14	101	60	48	75	24.0	55	11	12	41
	KHB-28LR	25	315	24	28	M36x2	14	108	64	57	82	28.5	64	11	14	50
KHM-35LR	32	315	30	35	M45x2	16	141	84	75	102.7	37.5	84.2	12	09	60	
KHM-42LR	40	315	36	42	M52x2	16	162	91	85	113.7	42.5	95.2	12	09	70	
SR	KHB-08SR	04	500	05	08	M16x1.5	12	73	40	27	48	13	35	8	09	19
	KHB-10SR	06	500	06	10	M18x1.5	12	73	40	27	48	13	35	8	09	19
	KHB-12SR	08	500	08	12	M20x1.5	12	76	42	32	53	17	36	8	09	27
	KHB-14SR	10	500	10	14	M22x1.5	14	80	42	32	53	17	36	8	09	27
	KHB-16SR	13	500	12	16	M24x1.5	14	86	48	35	53	17	40	8	09	30
	KHB-16SR	16	500	12	16	M24x1.5	14	86	47	38	62	19	45	11	09	32
	KHB-20SR	13	500	12	20	M30x2	16	90	48	35	53	17	40	8	09	30
	KHB-20SR	16	400	15	20	M30x2	16	90	47	38	62	19	45	11	09	32
	KHB-25SR	20	315	20	25	M36x2	18	109	60	48	75	24.0	55	11	12	41
	KHB-30SR	25	315	25	30	M42x2	20	120	64	57	82	28.5	64	11	12	50
KHM-38SR	32	315	30	38	M52x2	22	153	84	75	102.7	37.5	84.2	12	14	60	



■ 订货示例/Ordering Code

**KHB-G3/8-1112** - **Q** **H**

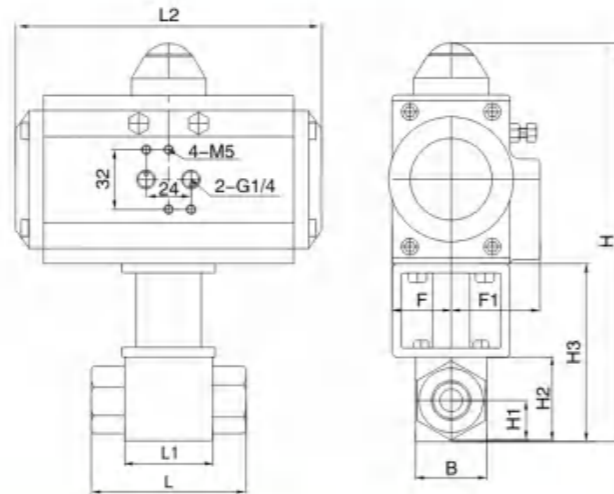
① 球阀型号 Ball Valve Type

KHB系列球阀 Series Ball Valve  
KHM系列球阀 Series Ball Valve

② Q: 双作用气动执行器 Double Acting Pneumatic Actuator

③ H: 高压球阀 High Pressure Ball Valve

■ 外形尺寸/Cosmetic dimensions



型号/Type	DN	PN	L	L1	L2	B	H	h1	h2	h3	F	F1	执行器型号 Execution number
KHB-G1/8-QH	4	500	69	37	164	28	169.5	13	32	40	25	42	AT052-DA
KHB-G1/4-QH	6	500	69	37	164	28	169.5	13	32	40	25	42	AT052-DA
KHB-G3/8-QH	10	500	72	42	181	32	195	17	40	40	35.5	45.5	AT063-DA
KHB-G1/2-QH	13	500	83	48	181	35	195	17	40	40	35.5	45.5	AT063-DA
KHB-G1/2-QH	16	400	83	47	207	38	222	19	46	50	38.5	52.5	AT075-DA
KHB-G3/4-QH	20	315	95	60	212	48	251.5	24	57	60	46	56.5	AT083-DA
KHB-G1-QH	25	315	113	65	212	57	258.5	28.5	64	60	46	56.5	AT083-DA
KHB-G11/4-QH	25/32	315	120	65	212	60	258.5	28.5	64	60	46	56.5	AT083-DA
KHB-G11/2-QH	25/32	315	130	65	212	60	258.5	28.5	64	60	46	56.5	AT083-DA
KHB-G11/4-QH	32	315	110	84	287	82	305.5	41	87.5	60	52	64	AT105-DA
KHB-G11/2-QH	40	315	130	91	287	93	317	46.5	99	60	52	64	AT105-DA
KHB-G2-QH	60	315	140	100	312.5	110	355	55	11.5	60	60	73.5	AT105-DA



■ 订货示例/Ordering Code

**KHB** **G1/2-1112** - **MZ**

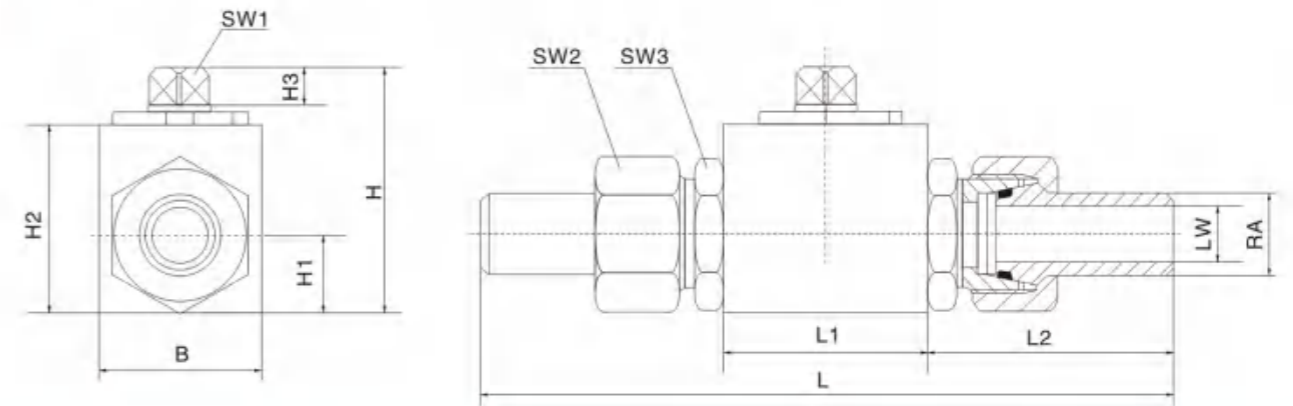
① 球阀型号 / Ball valve Type

② 螺纹规格及连接尺寸

Thread specification and connection dimension

③ 为锥密封管组件 Taper seal pipe assembly

■ 外形尺寸/Cosmetic dimensions



型号/Type	DN	LW	RA	L	L1	L2	B	H	H1	H2	H3	SW1	SW2	SW3
KHB-14MZ	8	8	14	143	42	50.5	32	52.5	17	40	8	9	27	27
KHB-16MZ	10	10	16	145	42	51.5	32	52.5	17	40	8	9	32	30
KHB-20MZ	15	13	20	156	47	54.5	38	63.5	19	46	11	12	36	32
KHB-25MZ	20	18	25	190	60	65	48	75	24	57	12	14	41	41
KHB-30MZ	25	20	30	204	65	69.5	57	82	28.5	64	12	14	50	50

锥密封焊接式最高压力为315bar

■ 使用及订货注意事项/Use and order precautions

- 阀块形内螺纹连接，螺纹规格G3/4。阀块和接头材料为碳钢，球体和控制芯轴材料为碳钢。球体处密封为POM。接头和控制芯轴密封为NBR。表面环保锌，手柄为钢质压式柄，其型号：KHB-G3/4-1112-02-MZ。
- 袖套形球阀，管子外径为Φ35，卡套式轻系列，阀体和接头材料为碳钢，球体和控制芯轴材料为不锈钢，球体处密封为POM。接头和控制芯轴密封为FPM，手柄为钢质压式曲柄，其型号：KHM-35LR-1414-06-MZ。
- 订货时没有注明零件材料代号的为1112常规材料，可省略。

国际标准高压球阀  
SAE锥形密封  
板式高压球阀  
高压球阀  
球式电磁阀  
高压截止阀  
油缸控制阀块  
蓄能器及附件





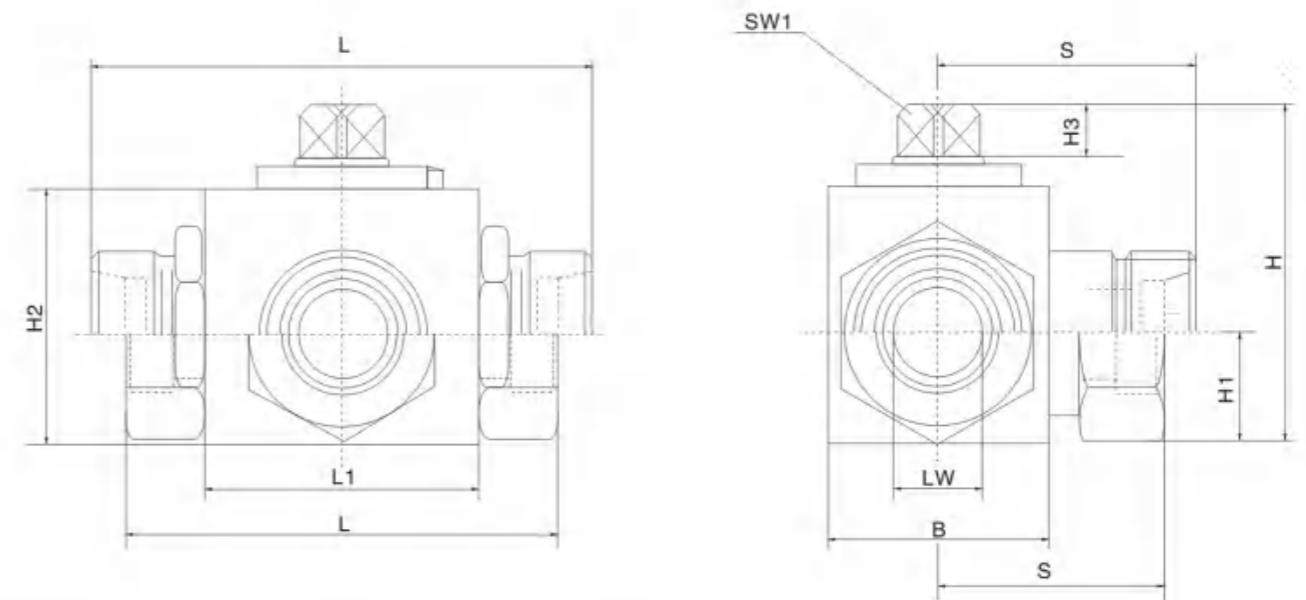
■ 订货示例/Ordering Code

**KHB3K(BK3)** **G1/2** **L** **1** **1** **1** **2** **01** **X** **-**

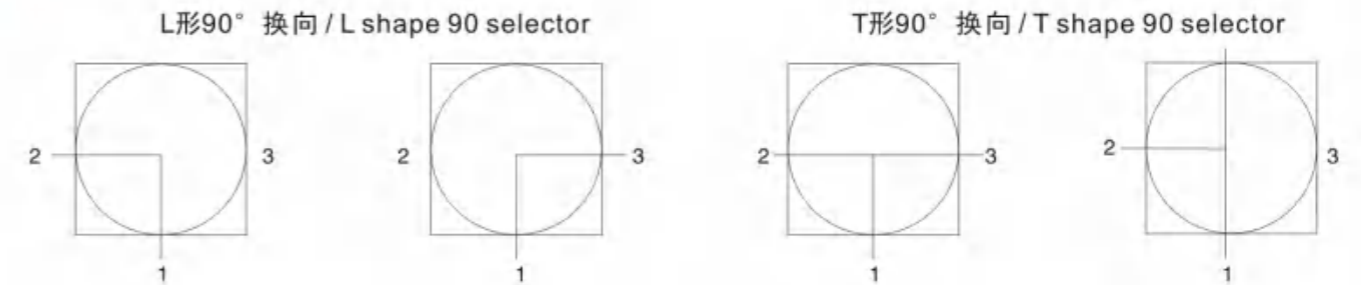
① ② ③ ④ ⑤ ⑥ ⑦ ⑧ ⑨ ⑩

- ① 型号 Type  
KHB3K(BK3)=二位三通球阀 / KHB3K (BK3)=two-position three-way ball valve
- ② 连接形式 Connecting methods  
螺纹规格或管外径及连接形式 / Thread specifications or pipe external diameter and connecting method  
公制内外螺纹、NPT螺纹 / Nominal internal and external thread, NPT thread
- ③ 球形: L形/T形 / Ball shape: L shape T shape
- ④ 阀体, 接头体材料: 1-碳钢 4-不锈钢 / Valve body and connector materials: 1-carbon steel 4-Stainless steel
- ⑤ 球体和控制芯轴材料 / Valve body and control core shaft material:  
1-合金钢 2-黄铜 4-不锈钢 / 1- Alloy steel 2- Bronze 4- Stainless steel
- ⑥ 球体密封材料: 1-POM / ball body sealing material: 1-POM
- ⑦ 接头体和控制芯轴密封圈材料 Sealing ring materials for connector and control core shaft:  
2-丁腈橡胶 4-氟橡胶 / 2-NBR 4-fluororubber (注: 材料1112为常规组合NOTE: material 1112 are common combinations)
- ⑧ 手柄型式 / Handle type  
01=铝质抱箍式手柄, 直柄(AG) / 01= aluminum hold loop handle, straight handle (AG)  
02=铝质抱箍式手柄, 曲柄(AK) / 02= aluminum hold loop handle, crane handle (AK)  
03=镀锌抱箍式手柄, 直柄(ZG) / 03= galvanized hold loop handle, straight handle (ZG)  
04=镀锌带安装螺栓的手柄, 曲柄(ZK) / 04= galvanized hold loop handle with installation bolts, crane handle (ZK)  
06=钢质带安装螺栓的手柄, 曲柄(SK) / 06= steel handle with installation bolts, crane handle (SK)  
09=无手柄 / 09=no handle
- ⑨ 系列 / Series(由制造商定) / (by the manufacturer)
- ⑩ 表面保护 / Surface protection  
无=磷化 / None=phosphorization G=镀锌 / G= yellow zinc plating  
W=环保锌(三价格) / W= Environmental protection zinc (trivalency)

■ 外形尺寸/Cosmetic dimensions



■ 球形功能符号/Ball shape function label



注意: 进油口 "1" NOTE: fluid inlet "1"

连接形式 Connecting methods	型号 Type	DN	PN (bar)	LW	RA	d1	i	L	L1	B	H	h1	h2	S	h3	SW1	SW2
符合JB984-77标准 External thread conforming to JB984-77 standards 外螺纹 / External thread M 注: 配用JB981-77标准螺母 和JB2099-77标准接管, 以 及GB-1235标准O型密封圈 NOTE: together with JB981-77 standard nut and JB2099-77 standard connecting pipe, and GB-1235 standard O ring sealing ring.	KHB-M12x1.25	04	500	04	08	M12x1.25	10	61	40	25	48	13	35	33.5	8	09	19
	KHB-M16x1.5	06	500	06	11	M16x1.5	11	69	40	25	48	13	35	33.5	8	09	19
	KHB-M22x1.5	08	500	08	16	M22x1.5	12	76	42	37	53	17	40	40.5	8	09	27
	KHB-M27x1.5	10	500	10	20	M27x1.5	12	76	42	37	53	17	40	40.5	8	09	27
	KHB-M30x1.5	16	400	15	24	M30x1.5	13	84	47	38	62	19	45	43.5	11	12	32
	KHB-M36x2	20	315	19	30	M36x2	15	103	60	48	75	24.5	57	52	11	14	41
	KHB-M42x2	25	315	24	35	M42x2	18	116	64	57	82	28.5	64	60	11	14	50
	KHB-M52x2	32	315	30	40	M52x2	20	149	84	75	102.7	37.5	84.2	70	12	17	60
	KHB-M60x2	40	315	36	45	M60x2	22	174	91	85	113.7	42.5	95.2	79.5	12	17	70
	KHB-M72x2	50	315	48	60	M72x2	24	178	100	105	131.2	52.5	95.2	89	12	17	80

国际标准高压球阀  
SAE标准球阀  
板式高压球阀  
高压球阀  
球式电磁阀  
高压截止阀  
油缸控制阀块  
蓄能器及附件

■ 外形尺寸/Cosmetic dimensions

连接形式 Connecting methods	型号 Type	DN	内径 Internal diameter (LW)	RA	PN (bar)	D1	i	L	L1	B	H	H1	H2	H3	S	SW1	SW2
	KHB3K-G1/8	04	06	-	500	G1/8	10	69	40	27	48	13	32.5	8	33.5	09	19
	KHB3K-G1/4	06	06	-	500	G1/4	14	69	40	27	48	13	32.5	8	34.5	09	22
	KHB3K-G3/8	10	10	-	500	G3/8	14	72	42	35	53	17	40	8	36	09	27
	KHB3K-G1/2	13	12	-	500	G1/2	16	83	48	35	53	17	40	8	40	09	30
	KHB3K-G1/2	16	15	-	500	G1/2	16	83	47	38	62	19	45	11	42	09	32
	KHB3K-G3/4	20	20	-	400	G3/4	18	95	60	48	75	24.5	57	11	49	12	41
	KHB3K-G1	25	25	-	315	G1	20.5	113	64	57	82	28.5	64	14	56.5	12	50
	KHB3K-G1 1/4	25/32	25	-	315	G1 1/4	22	120	64	60	82	28.5	64	12	60	12	-
	KHB3K-G1 1/4	32	30	-	315	G1 1/4	22	110	84	75	104	37.5	84	14	55	14	-
	KHB3K-G1 1/2	40	38	-	315	G1 1/2	24	130	91	85	115	42.5	95	14	65	14	-
	KHB3K-G2	50	48	-	315	G2	26	140	100	106	133	52.5	112.5	14	70	17	-
	KHB3K-06LR	04	04	06	500	M12x1.5	10	67	40	27	48	13	35	8	34.5	09	19
	KHB3K-08LR	06	06	08	500	M14x1.5	10	67	40	27	48	13	35	8	34.5	09	19
	KHB3K-10LR	08	08	10	500	M16x1.5	11	74	42	32	53	17	40	8	37	09	27
	KHB3K-12LR	10	10	12	500	M18x1.5	11	74	42	32	53	17	40	8	37	09	27
	KHB3K-15LR	13	12	15	500	M22x1.5	12	82	48	35	53	17	40	8	40	09	30
	KHB3K-15LR	12	12	15	500	M22x1.5	12	82	47	38	62	19	45	11	40	09	32
	KHB3K-18LR	13	12	18	500	M26x1.5	12	82	48	35	53	17	40	8	42	09	30
	KHB3K-18LR	16	15	18	500	M26x1.5	12	82	47	38	62	19	45	11	42	09	32
	KHB3K-22LR	20	19	22	400	M30x2	14	101	60	48	75	24.5	57	11	52	12	41
	KHB3K-28LR	25	24	28	315	M36x2	14	108	64	57	82	28.5	64	11	54	12	50
	KHB3K-08SR	04	05	08	500	M16x1.5	12	73	40	27	48	13	35	8	37	09	19
	KHB3K-10SR	06	06	10	500	M18x1.5	12	73	40	27	48	13	35	8	37	09	19
	KHB3K-12SR	08	08	12	500	M20x1.5	12	76	42	32	53	17	40	8	38	09	27
	KHB3K-14SR	10	10	14	500	M22x1.5	14	80	42	32	53	17	40	8	40	09	27
	KHB3K-16SR	13	12	16	500	M24x1.5	14	86	47	35	53	17	40	8	44	09	30
	KHB3K-16SR	12	12	16	500	M24x1.5	14	86	47	38	62	19	45	11	43.5	09	32
	KHB3K-20SR	13	12	20	500	M30x2	16	90	47	35	53	17	40	8	44	09	30
	KHB3K-20SR	16	15	20	500	M30x2	16	90	47	38	62	19	45	11	45.5	09	32
	KHB3K-25SR	20	20	25	400	M36x2	18	109	60	48	75	24.5	57	11	56	12	41
KHB3K-30SR	25	25	30	315	M42x2	20	120	64	57	82	28.5	64	11	60	12	50	



■ 订货示例/Ordering Code

**KHBT**   **G1/2**   **1**   **1**   **1**   **2**   **01**   **X**   **-**

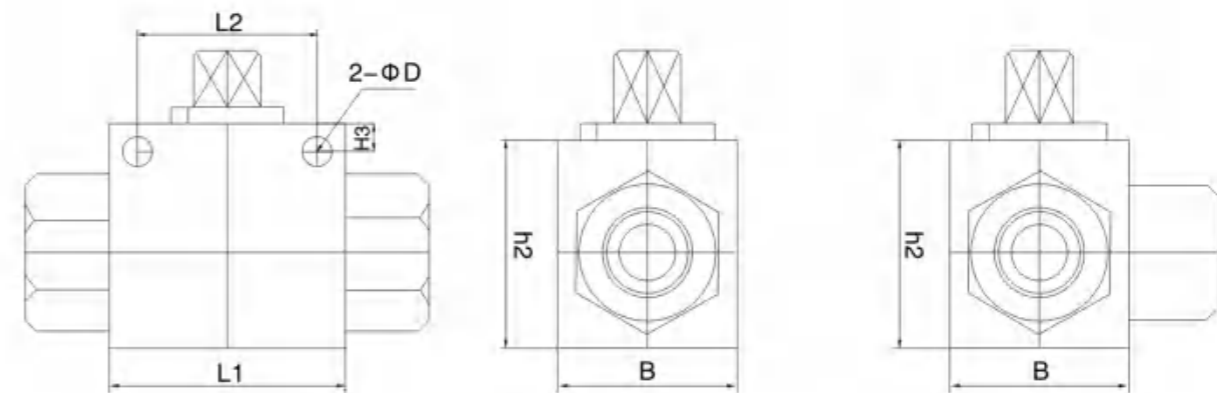
①   ②   ③   ④   ⑤   ⑥   ⑦   ⑧   ⑨

具体订购码参照第23页KHB

**KHBT3K**   **G1/2**   **L**   **1**   **1**   **1**   **2**   **01**   **X**   **-**

①   ②   ③   ④   ⑤   ⑥   ⑦   ⑧   ⑨   ⑩

具体订购码参照第26页KHB3K



**KHBT**

DN	L1	h3	L2	D	B	h2
4	40	4.8	28	4.5	27	35
6	40	4.8	28	4.5	27	35
10	42	4.5	31.5	5.3	32	36
13	47	4.5	38.5	6.5	35	40
16	48	5.5	38.5	6.5	38	45
20	60	5.5	48.5	6.5	48	57
25	64	5.5	50.5	6.5	57	64
32	84	6	55	8.5	74	84.2
40	91	7	60	10.5	85	95.2
50	100	7	80	10.5	105	112.7

具体参数参照第25页KHB

**KHBT3K**

DN	L1	h3	L2	D	B	h2
4	40	4.8	28	4.5	27	35
6	40	4.8	28	4.5	27	35
10	42	5.5	31.5	5.3	32	36
16	48	5.5	38.5	6.5	35	45
20	60	5.5	48.5	6.5	48	57
25	64	5.5	50.5	6.5	57	64
32	84	6	55	8.5	74	84.2
40	91	7	60	10.5	85	95.2
50	100	7	80	10.5	105	112.7

具体参数参照第27-28页KHB3K



■ 订货示例/Ordering Code

**KH3 - G1/2 L 1 1 1 2 - 01 X -**

① ② ③ ④ ⑤ ⑥ ⑦ ⑧ ⑨ ⑩

① 型号 Type

KH3=3通球阀(3KH) / KH3=3-way ball valve (3KH)  
KH4=4通球阀(4KH) / KH4=4-way ball valve (4KH)

② 连接型式 Connecting methods :

螺纹规格或管外径 Thread specifications or pipe external diameter

③ 球形 Ball shape : KH3-L, KH3-T, KH4-T, KH4-X

④ 阀体, 接头体材料 Valve body and connector materials :

1 -- 碳钢 4 -- 不锈钢 1--carbon steel 4--Stainless steel

⑤ 球体和控制芯轴材料 Valve body and control core shaft material :

1 -- 合金钢 2 -- 黄铜 4 -- 不锈钢 1 -- Alloy steel 2--Brize 4-- Stainless steel

⑥ 球体密封材料 ball body sealing material:

1 - POM接头体和控制芯轴密封圈材料 Sealing ring materials for connector and control core shaft

⑦ 接头体和控制芯轴密封圈材料 Sealing ring materials for connector and control core shaft :

2 - 丁晴橡胶 4 - 氟橡胶 2-NBR 4-fluororubber

注: 材料1112为常规组合 NOTE: material 1112 are common combinations

⑧ 手柄型式 Handle :

01=铝质抱箍式手柄, 直柄(AG)

01= aluminum hold loop handle, straight handle (AG)

02=铝质抱箍式手柄, 曲柄(AK) / 02= aluminum hold loop handle, crane handle (AK)

09=无手柄 / 09=no handle

⑨ 系列 Series (由制造商定 by the manufacturer)

⑩ 表面保护 Surface protection

无=磷化 / None=phosphorization

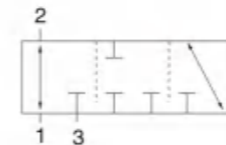
G=镀黄锌 / G= yellow zinc plating

W=环保锌(三价格) / W= Environmental protection zinc (trivalency)

标准型号功能(切换时正开口)

Standard type function (frontier openness at shift)

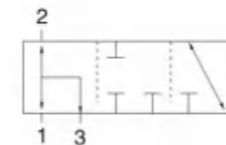
3通球阀 L形 / 3-way ball valve L shape



90°换向 / 90 selector



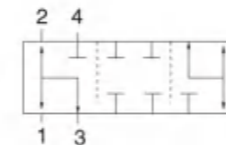
3通球阀 T形 / 3-way ball valve T shape



90°换向 / 90 selector



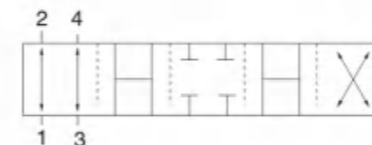
4通球阀 T形 / 4-way ball valve T shape



90°换向 / 90 selector



4通球阀 X形 / 4-way ball valve X shape

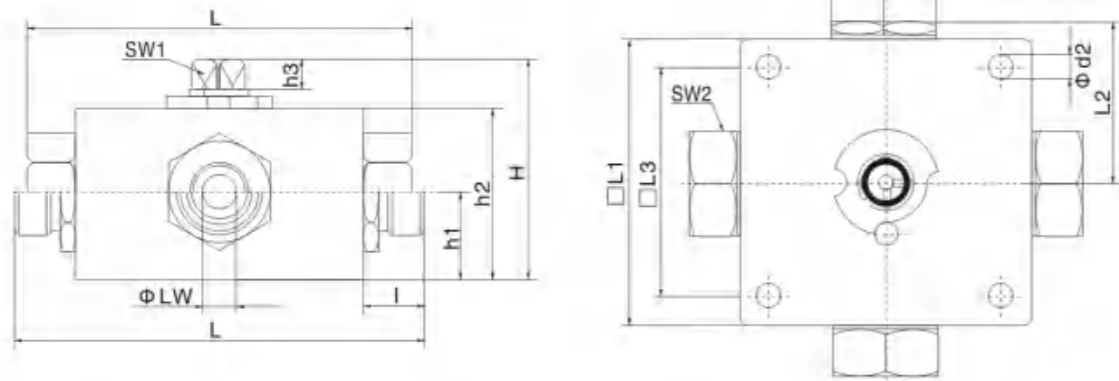


90°换向 / selector



蓄能器及安全阀  
国际标准高压球阀  
SAE法兰球阀  
板式高压球阀  
高压球阀  
球式电磁截止阀  
油缸控制阀块  
蓄能器及附件

外形尺寸/Cosmetic dimensions



连接形式 Connecting methods	型号 Type	DN	LW			RA	d1	I	L	L1	L2	L3	H	h1	h2	h3	d2	SW1	SW2
			L	T	X														
	KH3/4-G1/8	04	5	5	4.5	-	G1/8	10	100	70	42.5	55	57	22	40	11	6.5	9	24
	KH3/4-G1/4	06	5	5	4.5	-	G1/4	14	100	70	42.5	55	57	22	40	11	6.5	9	24
	KH3/4-G3/8	10	9	9	6	-	G3/8	14	115	80	46	65	67.5	27	50	11.5	6.5	9	30
	KH3/4-G1/2	16	12	12	10	-	G1/2	16	135	100	56	80	77.5	31	60	11.5	9	9	36
	KH3/4-G3/4	20	18	18	14	-	G3/4	18	144	100	58	85	92.5	36	73	11.5	9	12	46
	KH3/4-06LR	04	5	5	4.5	6	M12x1.5	10	105	70	42.5	55	57	22	40	11	6.5	9	24
	KH3/4-08LR	06	5	5	4.5	8	M14x1.5	10	105	70	42.5	55	57	22	40	11	6.5	9	24
	KH3/4-10LR	08	9	9	6	10	M16x1.5	11	114	80	46	65	67.5	27	50	11.5	6.5	9	30
	KH3/4-12LR	10	9	9	6	12	M18x1.5	11	114	80	46	65	67.5	27	50	11.5	6.5	9	30
	KH3/4-15LR	12	12	12	10	15	M22x1.5	12	136	100	56	80	77.5	31	60	11.5	6.5	9	36
	KH3/4-18LR	16	12	12	10	18	M26x1.5	12	136	100	56	80	77.5	31	60	11.5	9	9	36
	KH3/4-22LR	20	18	18	14	22	M30x2	14	143	100	58	85	92.5	36	73	11.5	9	12	46
	KH3/4-08SR	04	5	5	4.5	8	M16x1.5	12	105	70	42.5	55	57	22	40	11	9	9	24
	KH3/4-10SR	06	5	5	4.5	10	M18x1.5	12	105	70	42.5	55	57	22	40	11	6.5	9	24
	KH3/4-12SR	08	9	9	6	12	M20x1.5	12	116	80	46	65	67.5	27	50	11.5	6.5	9	30
	KH3/4-14SR	10	9	9	6	14	M22x1.5	14	120	80	46	65	67.5	27	50	11.5	6.5	9	30
	KH3/4-16SR	12	12	12	10	16	M24x1.5	14	140	100	56	80	77.5	31	60	11.5	6.5	9	36
	KH3/4-20SR	16	12	12	10	20	M30x2	16	144	100	56	80	77.5	31	60	11.5	9	9	36
	KH3/4-25SR	20	18	18	14	25	M36x2	16	151	100	58	85	92	36	73	11.5	9	12	46
	KH3/4-M12x1.25	04	5	5	4.5	8	M12x1.25	10	105	70	42.5	55	57	22	40	11	9	9	24
	KH3/4-M16x1.5	06	5	5	4.5	11	M16x1.5	11	114	70	46	55	57	22	40	11	6.5	9	24
	KH3/4-M22x1.5	08	9	9	9	16	M22x1.5	12	116	80	46	65	67.5	27	50	11.5	6.5	9	30
	KH3/4-M27x1.5	10	9	9	6	20	M27x1.5	16	144	80	46	65	67.5	27	50	11.5	6.5	9	30
	KH3/4-M30x1.5	16	12	12	10	24	M30x1.5	16	144	100	56	80	77.5	31	60	11.5	6.5	9	36
	KH3/4-M36x2	20	18	18	14	30	M36x2	18	155	100	58	85	92	36	73	11.5	9	12	42

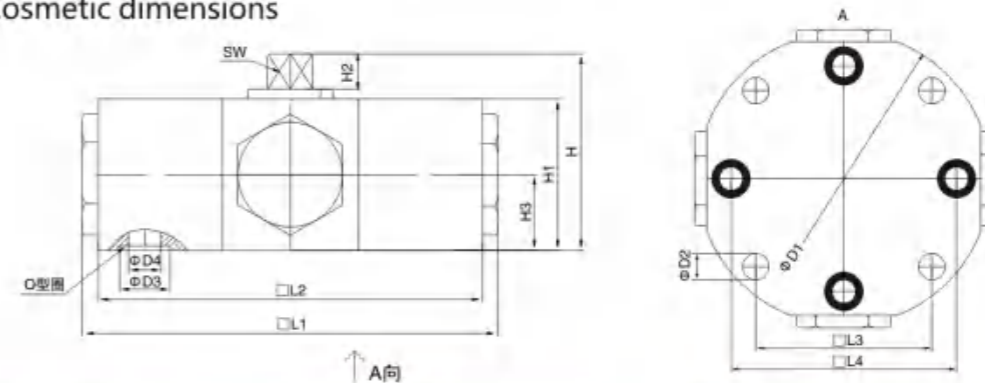


订货示例/Ordering Code

<b>KH3P</b>	-	<b>10</b>	<b>L</b>	<b>1</b>	<b>1</b>	<b>1</b>	<b>2</b>	-	<b>01</b>	<b>X</b>	<b>-</b>
1		2	3	4	5	6	7		8	9	10

- 1 型号 Type  
KH3P=3通球阀 KH3P=3-way ball valve  
KH4P=4通球阀 KH4P=4-way ball valve
- 2 公称通径 Nominal diameter : 6-20mm
- 3 球形 Ball shape : KH3P-L, KH3P-T, KH4P-T, KH4P-X
- 4 阀体, 接头体材料 Valve body and connector materials :  
1 - 碳钢4 - 不锈钢 1-carbon steel 4-Stainless steel
- 5 球体和球芯轴材料 Valve body and control core shaft material :  
1 - 合金钢 2 - 黄铜 4 - 不锈钢  
1 - Alloy steel 2- Bronze 4- Stainless steel
- 6 球体密封材料 Ball Body Sealing Material :  
1 - POM接头体和球芯轴密封圈材料  
Sealing ring materials for connector and control core shaft
- 7 接头体和球芯轴密封圈材料 : 2 - 丁腈橡胶 4 - 氟橡胶  
Sealing ring materials for connector and control core shaft:  
2-NBR 4-fluororubber  
注: 材料1112为常规组合 NOTE: material 1112 are common combinations
- 8 手柄型式 Handle  
01=铝质抱箍式手柄, 直柄(AG)  
01= aluminum hold loop handle, straight handle (AG)  
02=铝质抱箍式手柄, 曲柄(AK)  
02= aluminum hold loop handle, crane handle (AK)  
09=无手柄 / 09=no handle
- 9 系列 Series (由制造商定 By The Manufacturer)
- 10 表面保护 Surface protection  
无=磷化 None=phosphorization  
G=镀锌 G= yellow zinc plating  
W=环保锌(三价格)  
W= Environmental protection zinc (trivalency)

外形尺寸/Cosmetic dimensions



DN	LW			L1	L2	L3	L4	H	H1	H2	H3	ΦD1	ΦD2	ΦD3	ΦD4	SW	A	O形圈 O ring	Pn (bar)
	L	T	x																
6	5	5	4.5	103	90	70	68.6	57	40	11	22	-	6.5	11.7	6	9	163	7.3×2.4	400
10	9	9	6	113	100	80	81	67.5	50	11.5	27	-	9	14.7	8	9	183	10.3×2.4	315
16	12	12	10	152.5	140	90	115.4	77.5	60	11.5	31.5	150	13.5	19.7	13	9	183	15×2.5	315
20	18	18	14	184	170	100	137	92	73	11.5	36	180	13.5	28.8	18	12	227	24×2.5	250



# SAE法兰球阀

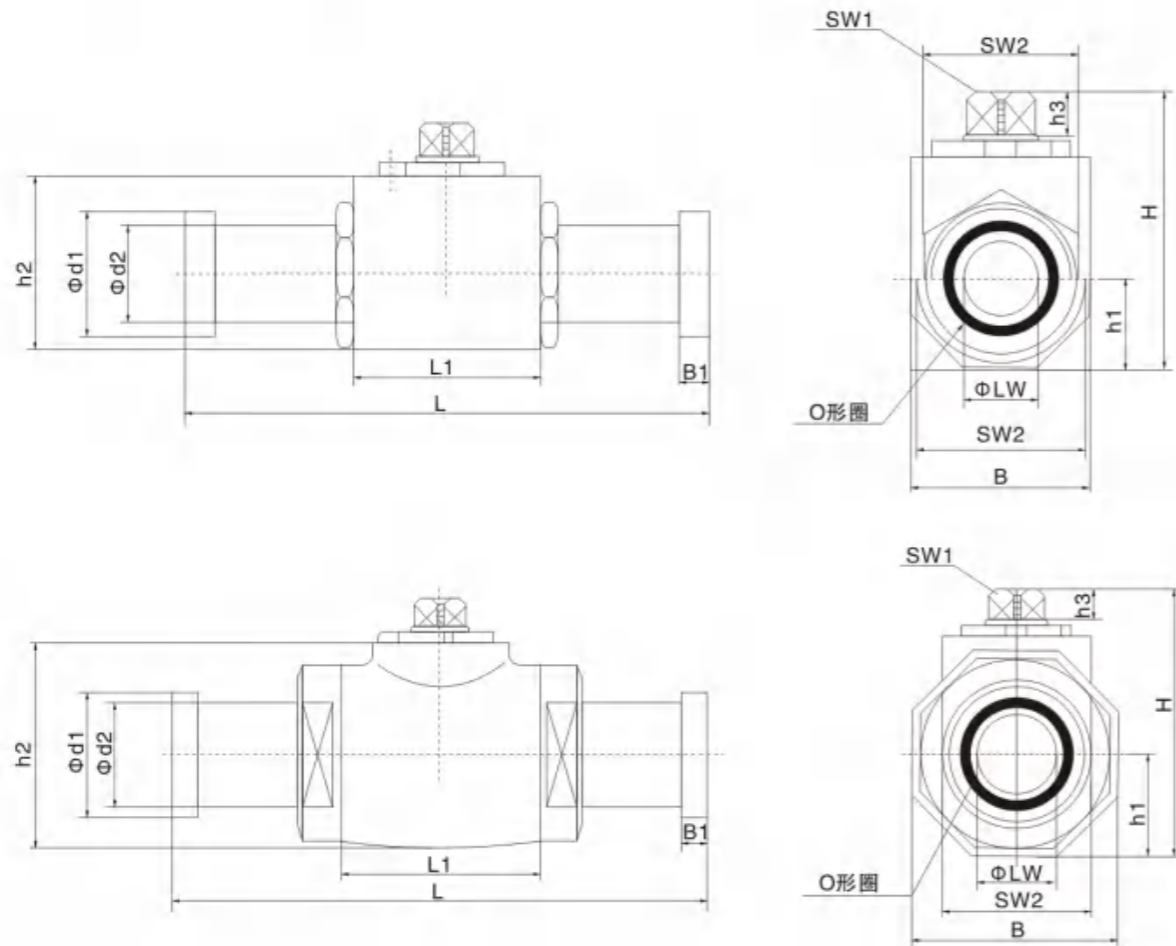
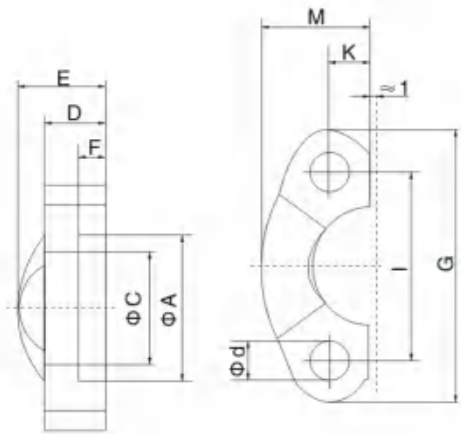


## ■ 订货示例/Ordering Code

**KHB 20 - F3/6 1 1 1 2 1 - 02 - X W**

① ② ③ ④ ⑤ ⑥ ⑦ ⑧ ⑨ ⑩ ⑪

- ① 型号 Type  
KHB(BKH)=阀块型球阀DN16-25 / KHB (BKH)= valve block ball valve DN16-25  
KHM(MKH)=袖套型球阀DN32-50 / KHM (MKH)= sleeve type ball valve DN32-50
- ② 公称通径 Nominal diameter : 13-50mm
- ③ SAE法兰形式 SAE flange type :  
F3符合SAEJ518C3000psi(21Mpa) / F3- confirming to SAEJ518C3000psi (21Mpa)  
F6符合SAEJ518C6000psi(42Mpa) / F6- confirming to SAEJ518C6000psi (42 Mpa)
- ④ 阀体, 接头体材料: 1 - 碳钢 Valve body and connector materials: 1-carbon steel
- ⑤ 球体和控制芯轴材料: 1 - 合金钢 Valve body and control core shaft material : 1. Alloy steel
- ⑥ 球体密封材料: 1 - POM / ball body sealing material : 1-POM
- ⑦ 接头体和控制芯轴密封圈材料: 2 - 丁晴橡胶 4 - 氟橡胶  
Sealing ring materials for connector and control core shaft : 2-NBR 4-fluororubber
- ⑧ SAE法兰1=钢质 4=不锈钢 SAE Flange 1 = steel 4 = stainless steel  
注: 材料1112为常规组合 NOTE: material 1112 are common combinations
- ⑨ 手柄型式 Handle type  
02=铝质抱箍式手柄, 曲柄(AK) / 02= aluminum hold loop handle, crane handle (AK)  
06=钢质带固定螺栓式的手柄, 曲柄(SK)  
06= steel handle with installation bolts, crane handle (SK)  
09=不带手柄 / 09=no handle
- ⑩ 系列 Series (由制造商定 By The Manufacturer)
- ⑪ 表面保护 Surface protection  
无=磷化 / None=phosphorization  
G=镀黄锌 / G= yellow zinc plating  
W=环保锌(三价格) / W= Environmental protection zinc (trivalency)

**外形尺寸/Cosmetic dimensions**

**SAE分体法兰 / SAE flange**

**SAE分体法兰-F3 210bar(3000psi)**

型号 / Type	φA	φC	D	E	F	M	K	I	G	d
KHB-16-F3	31	24.3	13	19	6.2	23	7.85	38.1	54	9
KHB-20-F3	38.9	32.2	14	22	6.2	29	10	47.6	65	10.5
KHB-25-F3	45.3	38.5	16	22	7.5	33.8	11.2	52.4	70	10.5
KHM-32-F3	51.6	43.7	14	24	7.5	37.6	14	58.7	80	12
KHM-40-F3	61.1	50.8	16	25	7.5	46.5	17	69.99	94	13.5
KHM-50-F3	72.3	62.8	16	26	9	55.9	20.5	77.8	102	13.5

**SAE分体法兰-F6 420bar(6000psi)**

型号 / Type	φA	φC	D	E	F	M	K	I	G	d
KHB-16-F6	32.5	24.6	16	22	7.2	23	8.1	40.5	56	9
KHB-20-F6	42	32.5	19	28	8.2	29	11	50.8	72	10.5
KHB-25-F6	48.4	38.9	24	33	9	33.8	13	57.2	81	13
KHM-32-F6	54.8	44.5	27	38	9.8	37.6	15	66.6	96	15
KHM-40-F6	64.3	51.6	30	43	12	46.5	17.25	79.3	113	17
KHM-50-F6	80.2	67.6	37	52	12	55.9	21.25	96.8	134	21

**KHB/KHM-F3 210bar(3000psi)**

型号 / Type	SAE规格 Specifications	DN	LW	L	L1	H	h1	h2	h3	B
KHB-16-F3	1/2"	16	16※	151	47	62	19	45	11	38
KHB-20-F3	3/4"	20	19	170	60	75	24.5	57	11	48
KHB-25-F3	1"	25	25	176.5	65	82	28.5	64	11	57
KHM-32-F3	1 1/4"	32	30	191.4	83.4	103	37.5	85	12	75
KHM-40-F3	1 1/2"	40	38	231	91	114	42.5	96	12	85
KHM-50-F3	2"	50	48	234	100	131.5	52.5	112.5	12	105

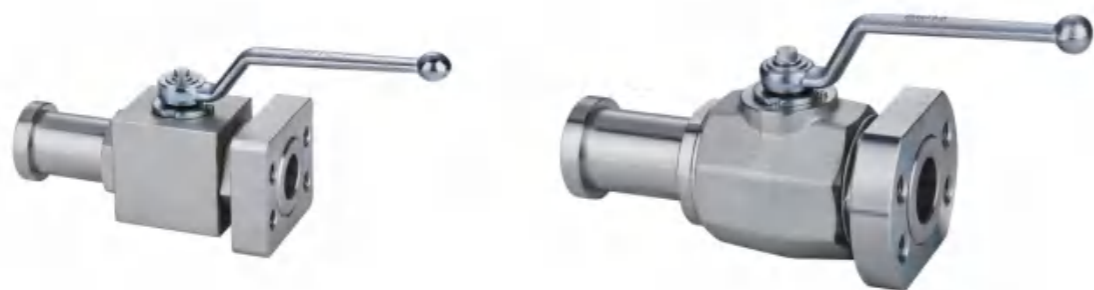
型号 / Type	B1	φd1	φd2	SW1	SW2	O-形圈 / Ring
KHB-16-F3	6.8	30.2	25.5	9	32	24.99x3.53
KHB-20-F3	6.8	38.1	31.5	12	41	24.99x3.53
KHB-25-F3	8	44.4	38	12	50	32.92x3.53
KHM-32-F3	8	50.8	43	14	60	37.92x3.53
KHM-40-F3	8	60.35	50	14	70	47.22x3.53
KHM-50-F3	9.6	71.4	62	17	80	56.74x3.53

**KHB/KHM-F6 420bar(6000psi)**

型号 / Type	SAE规格 Specifications	DN	LW	L	L1	H	h1	h2	h3	B
KHB-16-F6	1/2"	16	16※	151	47	62	19	45	11	38
KHB-20-F6	3/4"	20	19	170	60	75	24.5	57	11	48
KHB-25-F6	1"	25	25	198.5	65	82	28.5	64	11	57
KHM-32-F6	1 1/4"	32	30	223.5	83.4	103	37.5	85	12	75
KHM-40-F6	1 1/2"	40	38	281	91	114	42.5	96	12	85
KHM-50-F6	2"	50	48	315	100	131.5	52.5	112.5	12	105

型号 / Type	B1	φd1	φd2	SW1	SW2	O-形圈 / Ring
KHB-16-F6	7.9	31.8	32	9	32	24.99x3.53
KHB-20-F6	8.8	41.3	32	12	41	24.99x3.53
KHB-25-F6	9.5	47.6	38	12	50	32.92x3.53
KHM-32-F6	10.3	54	44	14	60	37.92x3.53
KHM-40-F6	12.7	63.5	51	14	70	47.22x3.53
KHM-50-F6	12.7	79.4	67	17	80	56.74x3.53

 蓄能器及附件  
 油缸控制阀块  
 高压球阀  
 球式电磁阀  
 蓄能器及附件



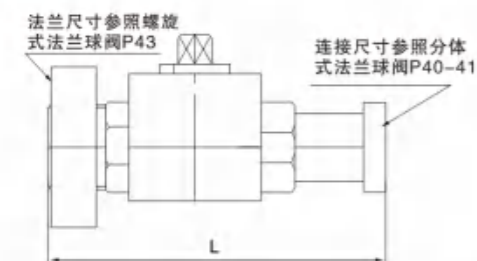
■ 订货示例/Ordering Code

**BKH - SAE - 210 - ND D/S 1 1 2 6**

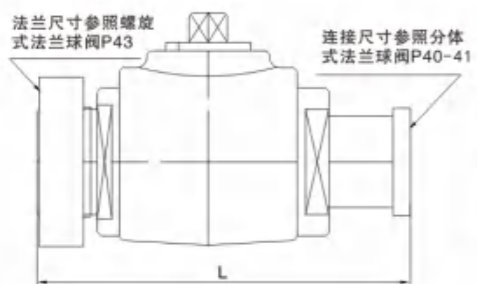
- 1 产品型号 / BKH-方型阀体、MKH-锻制六角体
- 2 SAE法兰式连接
- 3 法兰系列压力等级
- 4 公称通径：16、20、25、32、40、50
- 5 一端整体SAE法兰、一端SAE分体法兰接头
- 6 阀体，接头和法兰材料：1-碳钢 4-不锈钢
- 7 球体和阀杆材料：1-碳钢 4-不锈钢
- 8 球体密封处材料：2-POM 4-PTEE 5-PEEK
- 9 阀杆和接头密封材料：6-NBR(丁晴橡胶) 5-FPM(氟橡胶)

■ 外形尺寸/Cosmetic dimensions

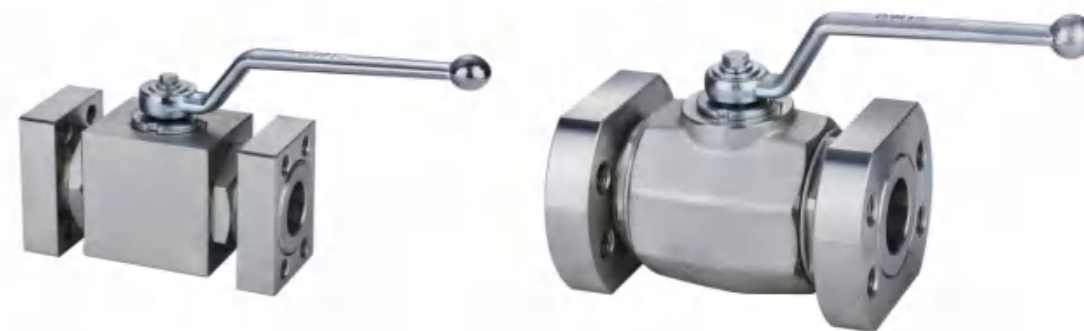
BKH-SAE \*-D/S



型号 / Type	BKH-SAE 210-DN-D/S	
210bar(3000psi)	DN	L
	16	127.5
	20	145.5
	25	155
	32	177.2
	40	199.5
50	215	



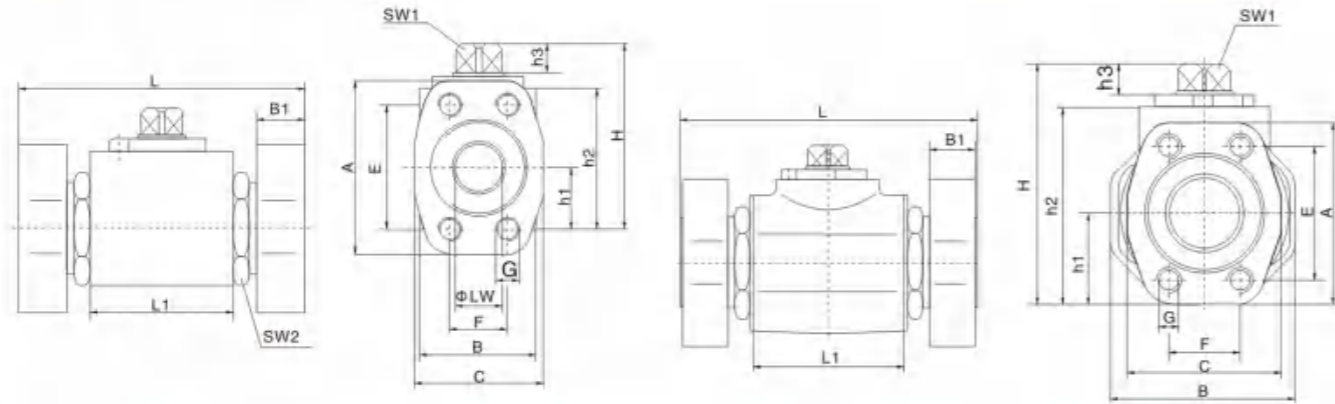
型号 / Type	BKH-SAE 420-DN-D/S	
420bar(6000psi)	DN	L
	16	127.5
	20	145.5
	25	165.7
	32	193.2
	40	224.5
50	255.5	



■ 订货示例/Ordering Code

**KHBG 20 - F3/6 1 1 1 2 - 02 - X W**

- 1 型号 Type  
KHBG(BKHG)=阀块型球阀-螺纹式法兰DN16-25  
HBG (BKHG)= valve block ball valve- thread type flange DN16-25  
KHMGM(MKHGM)=袖套型球阀-螺纹式法兰DN32-50  
KHMGM (MKHGM)= sleeve type ball valve- thread type flange DN32-50
- 2 公称通径 Nominal diameter : 13-65mm
- 3 SAE法兰形式 SAE flange type  
F3符合SAEJ518C3000psi(21Mpa) / F3- confirming to SAEJ518C3000psi (21Mpa)  
F6符合SAEJ518C6000psi(42Mpa) / F6- confirming to SAEJ518C6000psi (42 Mpa)
- 4 阀体，接头材料：1--碳钢 / Valve body and connector materials : 1--carbon steel
- 5 球体和控制芯轴材料：1--合金钢 / Valve body and control core shaft material : 1--Alloy steel
- 6 球体密封材料：1--POM / ball body sealing material: 1-POM
- 7 接头体和控制芯轴密封圈材料：2--丁晴橡胶 4--氟橡胶  
Sealing ring materials for connector and control core shaft: 2--NBR 4--fluororubber
- 8 手柄型式 Handle type  
02=铝质抱箍式手柄，曲柄(AK) / 02= aluminum hold loop handle, crane handle (AK)  
06=钢质带固定螺栓式的手柄，曲柄(SK) / steel handle with installation bolts, crane handle (SK)  
09=不带手柄 / 09=no handle
- 9 系列 Series  
(由制造商定) / (by the manufacturer)
- 10 表面保护 Surface protection  
无=磷化 / None=phosphorization  
G=镀锌 / G= yellow zinc plating  
W=环保锌(三价格) / W= Environmental protection zinc (trivalency)

**外形尺寸/Cosmetic dimensions**

**KHBG-F3 / KHMG-F3(3000Psi)**

型号 / Type	SAE规格 Specifications	DN	LW	L	L1	H	h1	h2	h3	B	SW1	SW2
KHBG-16-F3	1/2"	16	13	104	47	62	19	45	11	38	9	32
KHBG-20-F3	3/4"	20	19	121	60	75	24.5	57	11	48	12	41
KHBG-25-F3	1"	25	25	133	65	82	28.5	64	11	57	12	50
KHMG-32-F3	1 1/4"	32	30	163	83.4	103	37.5	85	12	75	14	60
KHMG-40-F3	1 1/2"	40	38	168	91	114	42.5	96	12	85	14	70
KHMG-50-F3	2"	50	48	196	100	131.5	52.5	112.5	12	105	17	80
KHMG-50/63-F3	2"	50/63	48	196	100	131.5	52.5	112.5	12	105	17	80

**KHBG-F6 / KHMG-F6(6000Psi)**

型号 / Type	SAE规格 Specifications	DN	LW	L	L1	H	h1	h2	h3	B	SW1	SW2
KHBG-16-F6	1/2"	16	13	104	47	62	19	45	11	38	9	32
KHBG-20-F6	3/4"	20	19	121	60	75	24.5	57	11	48	12	41
KHBG-25-F6	1"	25	25	133	65	82	28.5	64	11	57	12	50
KHMG-32-F6	1 1/4"	32	30	163	84	103	37.5	85	12	75	14	60
KHMG-40-F6	1 1/2"	40	38	168	91	114	42.5	96	12	85	14	70
KHMG-50-F6	2"	50	48	196	100	131.5	52.5	112.5	12	105	17	80

**法兰 / Flange F3(3000psi)**

型号 / Type	B1	A	C	E	F	G
KHBG-16-F3	16	57	47	38.1	17.5	M8
KHBG-20-F3	18	66	49	47.6	22.3	M10
KHBG-25-F3	19	71	53	52.4	26.2	M10
KHMG-32-F3	21	80	69	58.7	30.2	M10
KHMG-40-F3	24	95	75	69.9	35.7	M12
KHMG-50-F3	24	103	89	77.8	42.9	M12
KHMG-50/63-F3	24	115	110	88.9	50.8	M12

**法兰 / Flange F6(6000psi)**

型号 / Type	B1	A	C	E	F	G
KHBG-16-F6	16	57	47	40.5	18.2	M8
KHBG-20-F6	19	71	53	50.8	23.8	M10
KHBG-25-F6	21	80	69	57.2	27.8	M12
KHMG-32-F6	24	95	77	66.6	31.8	M14
KHMG-40-F6	24	113	89	79.3	36.5	M16
KHMG-50-F6	30	135	123	96.8	44.5	M20

注：对接法兰和O型圈只在要求时提供/NOTE: flange and O ring matches provided only if required


**订货示例/Ordering Code**
**KHSAE - 210 - 32 - 2 1 2 A 02 X W**

① 名称代号: KHSAE法兰式球阀

Name code: KHSAE flange type ball valve

② 公称压力 Nominal pressure:

210-21MPa 420-42MPa

③ 公称通径 Nominal diameter: 15-125mm

④ 阀体材料 Valve Body Material:

2--碳钢 Carbon Steel 4--不锈钢 Stainless Steel

⑤ 球体和阀杆材料/Valve body and valve rod:

1--碳钢 Carbon Steel, 4--不锈钢 Stainless Steel

⑥ 球体处密封 Sealing At Valve Body: 2--POM, 4--聚四氟乙烯 Teflon

⑦ 阀杆和接头处密封 Sealing at valve rod and connector:

A--丁晴橡胶+支撑圈/A--NBR+supporting ring

B--氟橡胶+支撑圈/B--Fluororubber+supporting ring

B--EPDM+支撑圈/B--EPDM+supporting ring

⑧ 手柄型式 Handle Type

02=铝质抱箍式手柄, 曲柄(AK) / 02=aluminum Hold Loop Handle, Crane Handle (AK)

06=钢质带固定螺栓式的手柄, 曲柄(SK) Steel Handle With Installation Bolts, Crane Handle (SK)

07=钢质可拆卸手柄 (DN80-DN125) / 07=steel Removable Handle (DN80-DN125)

⑨ 系列 Series (由制造商定 By The Manufacturer)

⑩ 表面保护 Surface protection

无=磷化 / None=phosphorization

G=镀锌 / G= yellow zinc plating

W=环保锌(三价格) / W= Environmental protection zinc (trivalency)

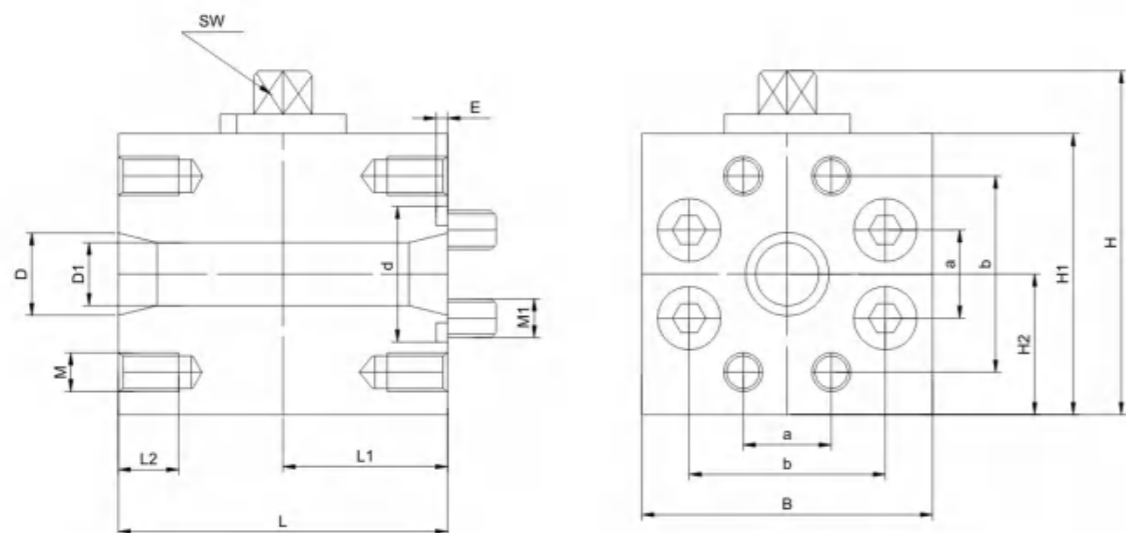
**产品简介/Production Overview**

KHSAE系列法兰式球阀是一种接口采用SAE标准的二通球阀。SAE标准法兰可重机标准JB/EQ418797分体式高压法兰互换。

KHSAE series flange ball valve is a two-way ball valve adopting SAE standard. SAE standard flange may exchange with JB-EQ4187-97 separating high pressure flange.



■ 外形尺寸/Cosmetic dimensions



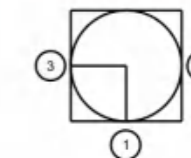
型号 / Type	DN	PN (bar)	L	L1	L2	D	D1	d	SW
KHZ-DN13- SAE420	13	420	68	34	15	13	13	25	9
KHZ-DN20- SAE420	20	420	70	35	17	20	20	32	12
KHZ-DN25- SAE420	25	420	78	39	21	25	25	40	12
KHZ-DN32- SAE420	32	350	90	45	22	32	25	45	14
KHZ-DN40- SAE420	40	350	99	49.5	26	38	30	55	14
KHZ-DN50- SAE420	50	350	120	60	34	49	38	65	17

型号 / Type	a	b	H	H1	H2	B	M	M1	E
KHZ-DN13- SAE420	18.2	40.5	67	58	29	60	M8	M8x70	1.8
KHZ-DN20- SAE420	23.8	50.8	88	75	37.5	75	M10	M10x75	2.4
KHZ-DN25- SAE420	27.8	57.2	96	82	41	82	M12	M12x85	2.4
KHZ-DN32- SAE420	31.8	66.6	111	98	49	98	M14	M14x90	2.4
KHZ-DN40- SAE420	36.5	79.4	132	116	58	116	M16	M16x105	2.4
KHZ-DN50- SAE420	44.5	96.8	154	138	69	138	M20	M20x125	2.4

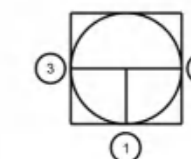
■ 球形功能符号 Ball shape function label



L形/L shape



T形/T shape



■ 订货示例/Ordering Code

**KH3K** - **DN13** - **SAE420** **1** **1** **2** **E** **L** **02** **X** **W**

① ② ③ ④ ⑤ ⑥ ⑦ ⑧ ⑨ ⑩ ⑪

① 产品型号 Product model : KH3K

② 公称通径 Nominal diameter : DN13-50

③ 压力标准 Standard connection : SAE210(210bar) SAE420(420bar)

④ 阀体, 接头体材料 Valve body and connector materials :

1--碳钢 Carbon Steel 4--不锈钢 Stainless Steel

⑤ 球体和控制芯轴材料 Valve body and control core shaft material :

1--碳钢 Carbon Steel 4--不锈钢 Stainless Steel

⑥ 球体密封材料 Ball seal materials :

2--聚甲醛 Polyformaldehyde 4--聚四氟乙烯 Ptf

⑦ 接头体和控制芯轴密封圈材料 Sealing ring materials for connector and control core shaft :

E--丁晴橡胶 NBR F--氟橡胶 Fluororubber

⑧ 功能符号 Function symbol :

L形 L Shape T形 T Shape

⑨ 手柄代号 The Crank Handle Code :

02--铝合金式曲柄 aluminum alloy type of crank 06--钢式曲柄 type steel crank

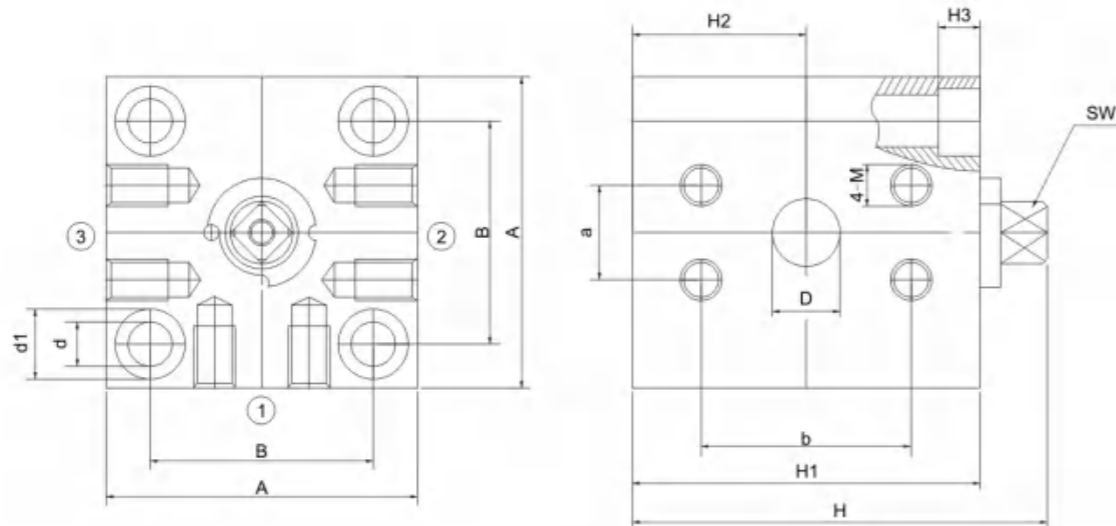
⑩ 系列 Series (由制造商定 By The Manufacturer)

⑪ 表面保护 Surface protection

无=磷化 None=phosphorization

G=镀黄锌 G= yellow zinc plating

W=环保锌(三价格) W= Environmental protection zinc (trivalency)

**外形尺寸/Cosmetic dimensions**


型号 / Type	DN	PN (bar)	B	A	d	d1	H	H1
KH3K-DN13-SAE420	13	420	43	60	8.5	13.5	67	58
KH3K-DN20-SAE420	20	420	60	80	11	17	89	75
KH3K-DN25-SAE420	25	420	70	94	11	17	95	82
KH3K-DN32-SAE420	32	350	76	100	13	19	117	100
KH3K-DN40-SAE420	40	350	84	110	13	19	128	112
KH3K-DN50-SAE420	50	350	108	135	13	19	150	135

型号 / Type	H2	H3	a	b	M	D	SW
KH3K-DN13-SAE420	29	9	18.2	40.5	8	13	9
KH3K-DN20-SAE420	37.5	11	23.8	50.8	10	20	12
KH3K-DN25-SAE420	42	11	27.8	57.2	12	25	12
KH3K-DN32-SAE420	50	13	31.8	66.6	14	30	14
KH3K-DN40-SAE420	56	13	36.5	79.4	16	38	14
KH3K-DN50-SAE420	67.5	13	44.5	96.8	20	48	17


**产品简介/Production Overview**

本二位三通球阀，性能可靠，使用方便，可直接焊接在管路中，接管路不同材料，可使用多种场合。本产品分KHB-AS、KHM-AS两种，压力为：160bar，公称压力：PN160bar，公称口径：DN10-50，工作温度：-25-100°C。

The two two-way ball valve, reliable performance, easy to use, can be directly welding in pipeline, to take over the road, different materials, can use a variety of occasions. This product KHB-AS, KHM-AS two kinds, the pressure for: 160 bar, nominal pressure: PN160bar, nominal diameter: DN10-50, working temperature: 25-100 °C.

**订货示例/Ordering Code**

**KHZ-AS** - **160** - **25** **1 1 1 2** **02** **X** **W**

① ② ③ ④ ⑤ ⑥ ⑦ ⑧ ⑨ ⑩

**① 产品型号 Product model :**

KHB-AS、KHM-AS

**② 公称压力 Nominal pressure : 160bar**
**③ 公称口径 Nominal diameter : 10、13、16.....**
**④ 阀体，接头体材料 Valve Body And Connector Materials :**

1-- 碳钢 Carbon Steel 4--不锈钢 Stainless Steel

**⑤ 球体和控制芯轴材料 Valve body and control core shaft material :**

1-- 碳钢 Carbon Steel 4--不锈钢 Stainless Steel

**⑥ 球体密封材料 Ball seal materials :**

1--POM 4--聚四氟乙烯 Ptfе

**⑦ 阀体和接头处密封 Body and joint sealing :**

2 -- 丁晴橡胶 NBR 4 -- 氟橡胶 Fluororubber

**⑧ 手柄代号 The crank handle code :**

02-铝柄 曲柄 Aluminium Handle Crank 06-钢柄 曲柄 Steel Shank Crank

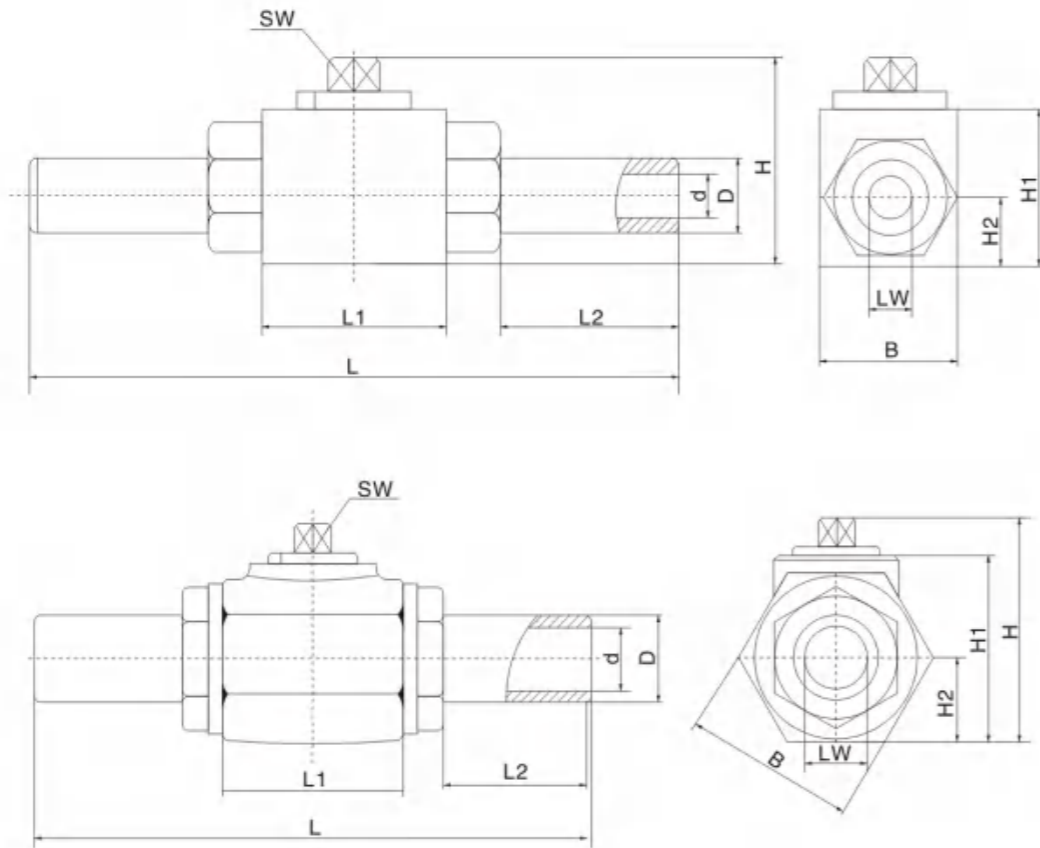
**⑨ 系列 Series (由制造商定 By The Manufacturer)**
**⑩ 表面保护 Surface protection**

无=磷化 None=phosphorization

G=镀黄锌 G= yellow zinc plating

W=环保锌(三价格) W= Environmental protection zinc (trivalency)

■ 外形尺寸/Cosmetic dimensions



型号 / Type	DN	PN (bar)	L	L1	L2	D	d	H	H1	H2	B	LW	SW
KHB-AS160-10	10	160	150	42	42	17.2	10	48	36	17	32	10	9
KHB-AS160-13	13	160	180	48	51	21.3	13	53	40	17	35	13	9
KHB-AS160-16	16	160	180	47	51	21.3	15	55	45	19	38	15	9
KHB-AS160-20	20	160	200	60	50	26.9	20	70	55	24	48	20	12
KHB-AS160-20/25	20/25	160	200	60	50	33.7	25	70	55	24	48	20	12
KHB-AS160-25	25	160	210	64	51	33.7	25	81	64	28.5	57	25	12
KHB-AS160-25/32	25/32	160	210	64	51	42.2	30	81	64	28.5	57	25	12
KHM-AS160-32	32	160	260	84	70	42.2	30	106	85	37.5	76	30	14
KHM-AS160-32/40	32/40	160	260	84	70	48.3	38	106	85	37.5	76	30	14
KHM-AS160-40	40	160	270	91	72	48.3	38	117	97	42.5	85	38	14
KHM-AS160-40/50	40/50	160	270	91	72	60.3	48	117	97	42.5	85	38	14
KHM-AS160-50	50	160	300	100	72	60.3	48	134.5	115	52.5	106	48	17
KHM-AS160-50/65	50/65	160	300	100	72	76.1	63	134.5	115	52.5	106	48	17



■ 订货示例/Ordering Code

**KHBF** - **016** - **PN40** **1 1 1 2** - **02** **X** **W**

① ② ③ ④ ⑤ ⑥ ⑦ ⑧ ⑨ ⑩

① 型号 Type :

KHBF 阀块型球阀DN16 - 25 / KHBF=valve block ball valve  
KHMF 袖套型球阀DN32 - 50 / KHMF=sleeve type ball valve

② 公称通径 Nominal diameter : 16-50mm

③ 压力范围 : 4,6,3,16,25,31.5MPa(40,63,160,250,315Bar)

④ 阀体, 接头体和控制芯轴 Valve body, the joint body and control core axis :

1--碳钢 Carbon Steel 4--不锈钢 Stainless Steel

⑤ 球体, 接头体和控制芯轴 Sphere, the joint body and control core axis :

1--碳钢 Carbon Steel 4--不锈钢 Stainless Steel

⑥ 球封, 接头体和控制芯轴 Ball sealing, the joint body and control core axis : 1-POM

⑦ 接头体控制芯轴密封圈 Joint control core shaft seal :

2 -- 丁晴橡胶 NBR 4 -- 氟橡胶 Fluororubber

⑧ 手柄 Handle

2=铝合金曲柄 Aluminium Alloy Crank  
6=钢手柄曲柄 Steel Handle Crank

⑨ 系列 Series (由制造商定 By The Manufacturer)

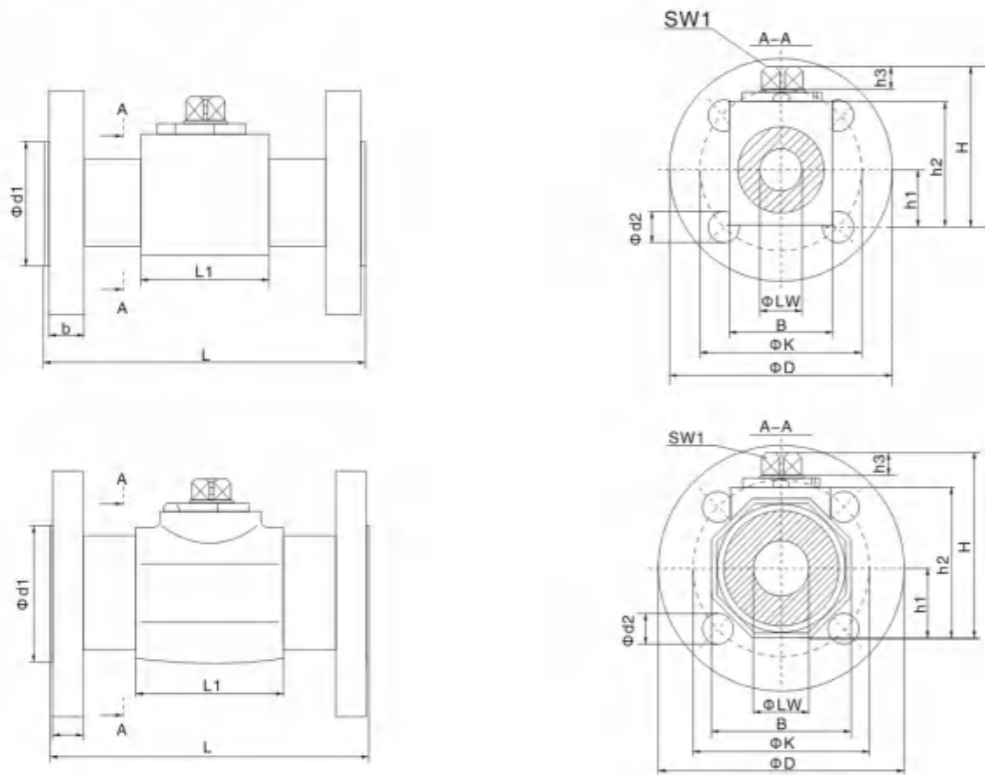
⑩ 表面保护 Surface protection

无=磷化 Phosphorization  
G=镀黄锌 Yellow Zinc Plating  
W=环保锌(三价格) Environmental Protection Zinc (trivalency)

蓄能器及附件  
油缸控制阀块  
高压截止阀  
球式电磁阀  
高压球阀  
板式高压球阀  
SAE法兰球阀  
国际标准高压球阀  
蓄能器及附件



外形尺寸/Cosmetic dimensions



型号 / Type	压力范围(bar) Pressure range	LW	L	L1	$\phi D$	$\phi d1$	$\phi d2$	$\phi K$	B	b	H	h1	h2	h3	SW1	Z※
KHBF-016	10-40	15	130	47	95	45	14	65	38	16	62	19	45	11	9	4
KHBF-016	63-160	15	130	47	105	45	14	75	38	20	62	19	51	11	9	4
KHBF-016	250-315	15	130	47	130	45	18	90	38	26	62	19	45	11	9	4
KHBF-020	10-40	20	150	60	105	58	14	75	48	17	52	4.5	57	11	12	4
KHBF-025	10-40	25	160	65	115	68	14	85	57	18	82	28.5	64	11	12	4
KHBF-025	63-160	25	160	64	140	68	18	100	57	24	82	28.5	64	11	12	4
KHBF-025	250	25	160	64	150	68	22	105	57	28	82	28.5	64	11	12	4
KHBF-025	315	25	160	64	160	68	22	115	57	34	82	28.5	64	11	12	4
KHMF-032	10-40	30	180	84	140	78	18	100	75	18	103	37.5	85	12	14	4
KHMF-032	63-160	30	180	84	155	78	22	110	75	26	103	37.5	85	12	14	4
KHMF-040	10-40	38	200	91	150	88	18	110	85	18	114	42.5	96	12	14	4
KHMF-040	63-160	38	200	91	170	88	22	125	85	28	114	42.5	96	12	14	4
KHMF-040	250	38	200	91	185	88	26	135	85	34	114	42.5	96	12	14	4
KHMF-040	315	38	200	91	195	88	26	145	85	38	114	42.5	96	12	14	4
KHMF-050	10-40	48	230	100	165	102	18	125	105	20	131.5	52.5	112.5	12	17	4
KHMF-050	63	48	230	100	180	102	22	135	105	26	131.5	52.5	112.5	12	17	4
KHMF-050	100-160	48	230	100	195	102	26	145	105	30	131.5	52.5	112.5	12	17	4
KHMF-050	250	48	230	100	200	102	26	150	105	38	131.5	52.5	112.5	12	17	8
KHMF-050	315	48	230	100	210	102	26	160	105	42	131.5	52.5	112.5	12	17	8
KHMFF-032	10-40	30	130	84	140	78	18	100	75	18	103	37.5	85	12	14	4
KHMFF-040	10-40	38	140	91	150	88	18	110	85	18	114	42.5	96	12	14	4
KHMFF-050	10-40	48	50	100	165	102	18	125	105	20	131.5	52.5	112.5	12	17	4

注：Z※为 $\phi d2$ 孔数目 / NOTE: Z※refers to  $\phi d2$  meshes

# 板式高压球阀





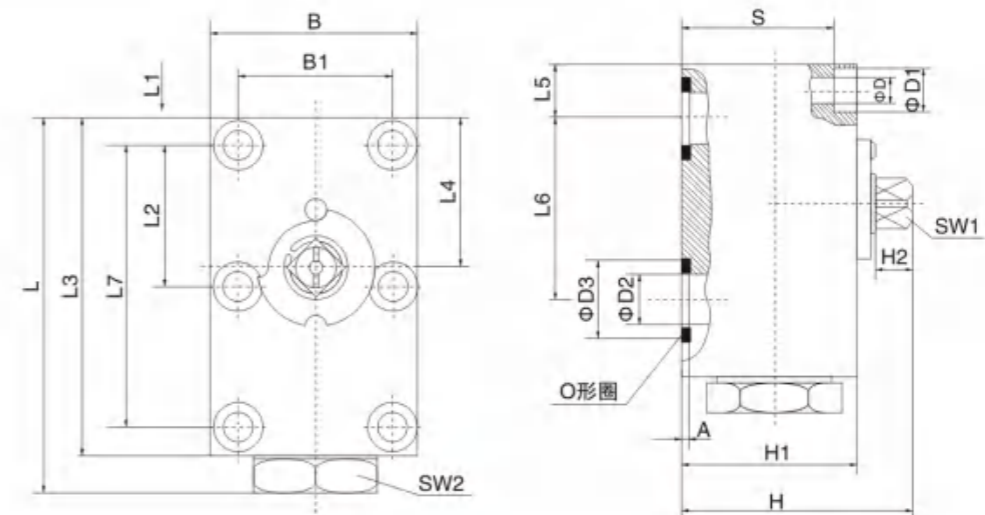
■ 订货示例/Ordering Code

**KHP(PKH)** - **10** - **1 1 1 2** - **04** **X** **W**

① ② ③ ④ ⑤ ⑥ ⑦ ⑧ ⑨

- ① 型号 Type :  
KHP(PKH)=板式球阀 / KHP (PKH)=disc ball valve
- ② 公称通径 Nominal diameter : 6-50mm
- ③ 阀体, 接头体材料 Valve body and connector materials:  
1 -- 碳钢 Carbon Steel 4 -- 不锈钢 Stainless Steel
- ④ 球体和控制芯轴材料 Valve body and control core shaft material :  
1 -- 合金钢 Alloy Steel 2 -- 黄铜 Bronze 4 -- 不锈钢 Stainless Steel
- ⑤ 球体密封材料 Ball Body Sealing Material : 1 - POM
- ⑥ 接头体和控制芯轴密封圈材料 Sealing ring materials for connector and control core shaft:  
2 -- 丁腈橡胶 NBR, 4 -- 氟橡胶 Fluororubber  
注: 材料1112为常规组合 / NOTE: material 1112 are common combinations
- ⑦ 手柄型式 Handle type  
01=铝质抱箍式手柄, 直柄(AG) / 01= aluminum hold loop handle, straight handle (AG)  
02=铝质抱箍式手柄, 曲柄(AK) / 02= aluminum hold loop handle, crane handle (AK)  
03=镀锌抱箍式手柄, 直柄(ZG) / 03= galvanized hold loop handle, straight handle (ZG)  
04=镀锌带安装螺栓的手柄, 曲柄(ZK) / 04= galvanized hold loop handle with installation bolts, crane handle (ZK)  
06=钢质带安装螺栓的手柄, 曲柄(SK) / 06= steel handle with installation bolts, crane handle (SK)  
09=无手柄 / 09=no handle
- ⑧ 系列 Series(由制造商定 By The Manufacturer)
- ⑨ 表面保护 Surface Protection  
无=磷化 / None=phosphorization  
G=镀锌 / G= yellow zinc plating  
W=环保锌(三价格) / W= Environmental protection zinc (trivalency)

■ 板式球阀安装尺寸/Disc Ball Valve Installation Dimensions



型号/公称通径 Type/Nominal diameter	DN	LW	L	L1	L2	L3	L4	L5	L6	L7	B	B1
KHP-06	06	6	64	8.5	17.5	59	25	8.5	35	35	40	27
KHP-10	10	9.5	80	8.5	27.5	72	29	10	44	55	58	40
KHP-16	16	16	110	8.5	41.5	100	44	17	58	83	62	45
KHP-20	20	20	127	10	48.5	117	51	20	69	97	70	51
KHP-25	25	23.5	145	10	57.5	135	62	24	81	115	80	60
KHP-32	32	30	176	12	68	165	75	29	96	136	100	78
KHP-40	40	38	205	28.5	56	180	85	28.5	112	112	130	95
KHP-50	50	48	245	38	68	220	106	38	136	136	149	112

型号/公称通径 Type/Nominal diameter	SW1	SW2	H	H1	H2	D	D1	D2	D3	A	S	O形圈
KHP-06	6	22	37.5	30	7	6.6	11	6	11.7	1.6	23	12x1.9
KHP-10	9	30	58	42	8.5	9	13.5	9.5	15	2	36	16x2.4
KHP-16	9	36	72.5	50	11	9	13.5	16	25	2	46	25x2.4
KHP-20	12	41	88.5	60	11	10.5	16.5	20	30	2.5	59.5	28x3.1
KHP-25	12	50	97.5	67	12	10.5	16.5	23.5	35	2.5	69	35x3.1
KHP-32	14	65	118.5	83	12	13	19	32	39.4	2.5	84	40x3.1
KHP-40	14	-	118.5	100	12	17.5	26	38	48.4	2.5	82.5	50x3.1
KHP-50	17	-	129	110	12	22	33	48	55.4	2.5	88.5	55x3.1

高压球阀  
球式电磁阀  
油缸控制阀块  
蓄能器及附件



■ 订货示例/Ordering Code

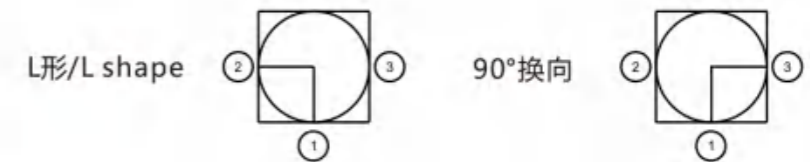
**KHP3K(PK3)** - **10** - **L** **1 1 1 2** - **04** **X** **W**

① ② ③ ④ ⑤ ⑥ ⑦ ⑧ ⑨ ⑩

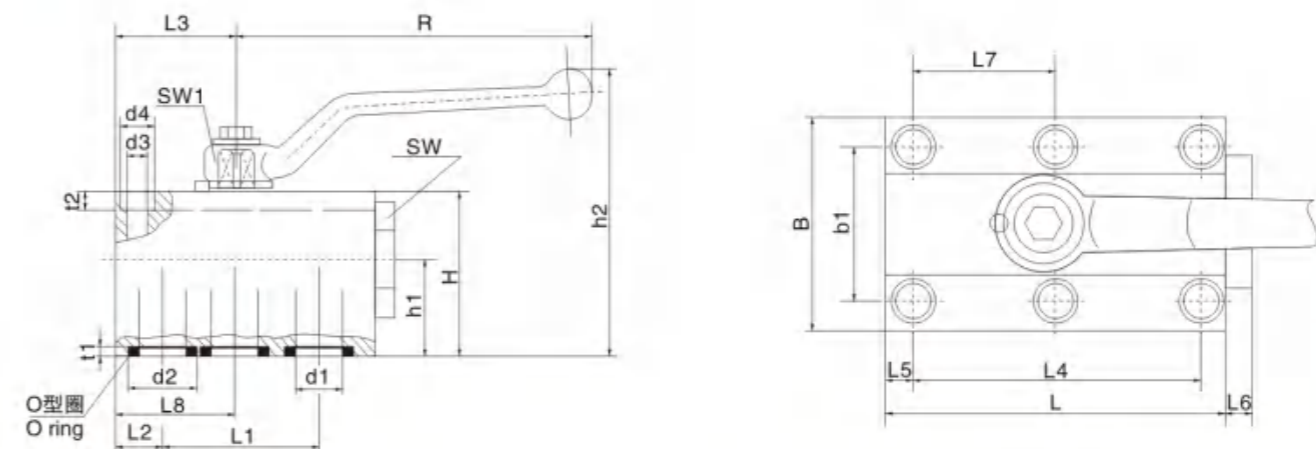
- ① 型号 Type :  
KHP3K(PK3)=板式球阀 / KHP3K(PK3)=disc ball valve
- ② 公称通径 Nominal diameter : 6-50mm
- ③ 功能代号 : L型
- ④ 阀体, 接头体材料 Valve body and connector materials:  
1 -- 碳钢 Carbon Steel 4 -- 不锈钢 Stainless Steel
- ⑤ 球体和控制芯轴材料 Valve body and control core shaft material :  
1 -- 合金钢 Alloy steel 2 -- 黄铜 Bronze 4 -- 不锈钢 Stainless steel
- ⑥ 球体密封材料 ball body sealing material : 1 - POM
- ⑦ 接头体和控制芯轴密封圈材料 / Sealing ring materials for connector and control core shaft :  
2 -- 丁腈橡胶 NBR, 4 -- 氟橡胶 Fluororubber  
注: 材料1112为常规组合 NOTE: material 1112 are common combinations
- ⑧ 手柄型式 Handle type  
01=铝质抱箱式手柄, 直柄(AG) / 01= aluminum hold loop handle, straight handle (AG)  
02=铝质抱箱式手柄, 曲柄(AK) / 02= aluminum hold loop handle, crane handle (AK)  
03=镀锌抱箱式手柄, 直柄(ZG) / 03= galvanized hold loop handle, straight handle (ZG)  
04=镀锌带安装螺栓的手柄, 曲柄(ZK) / 04= galvanized hold loop handle with installation bolts, crane handle (ZK)  
06=钢质带安装螺栓的手柄, 曲柄(SK) / 06= steel handle with installation bolts, crane handle (SK)  
09=无手柄 / 09=no handle
- ⑨ 系列 Series (由制造商定 By The Manufacturer)
- ⑩ 表面保护 Surface protection  
无=磷化 Phosphorization  
G=镀黄锌 Yellow Zinc Plating  
W=环保锌(三价格) Environmental Protection Zinc (trivalency)

■ 球形功能符号/Ball shape function label

注意: 该系列三通球阀只能从接口1进压力油, 阀的密封功能只能在以下两种情况有效:  
1、关闭的油口压力为零;  
2、关闭的油口压力小于两个通油口。



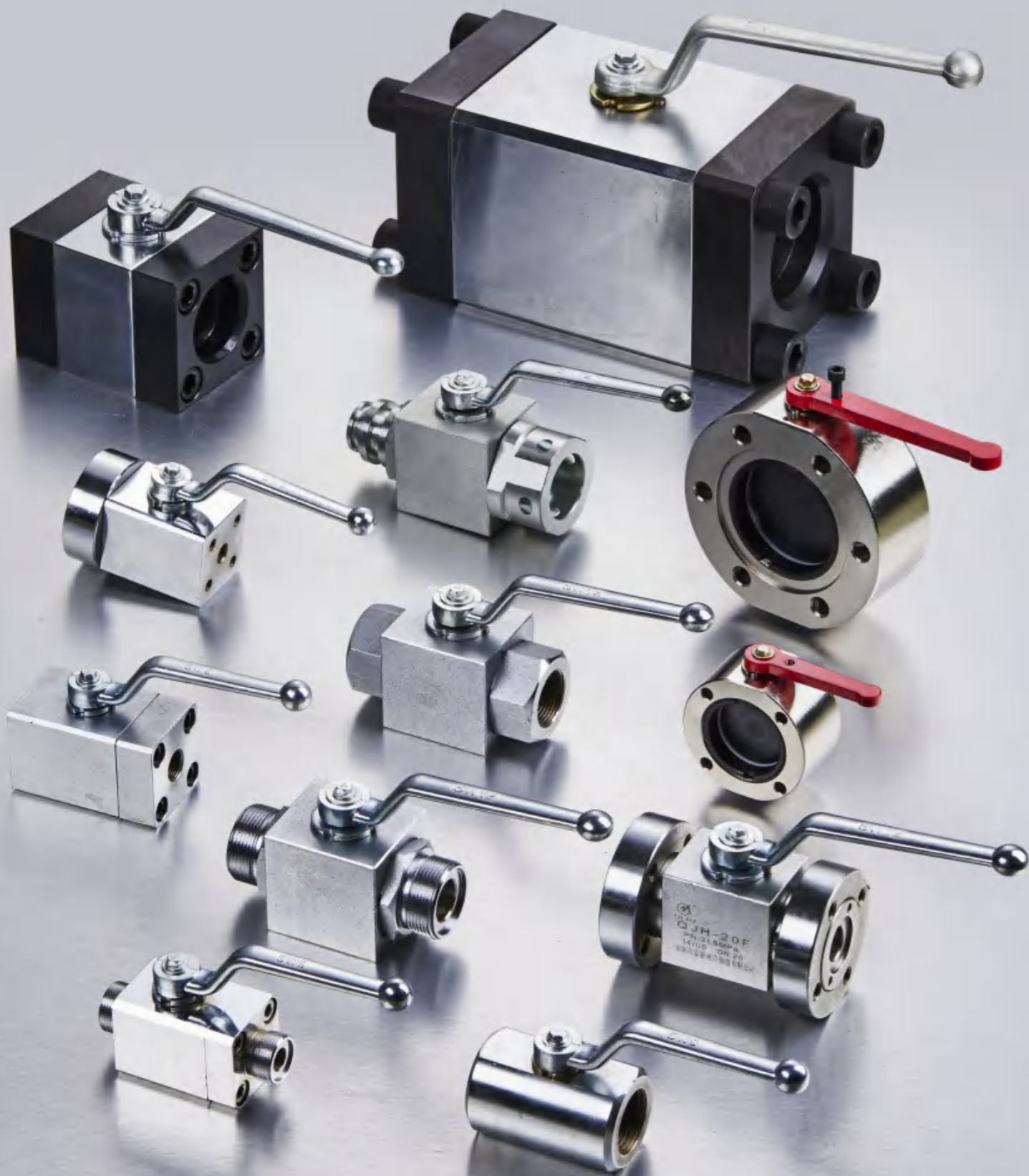
■ 外形尺寸/Cosmetic dimensions



DN	L1	L2	L3	L4	L5	L6	L7	L8	L	b1	B	H	h1	h2
6	35	8.5	23.5	35	8.5	4.5	17.5	26	59	27	40	30	20	65
10	44	10	29	55	7.5	7	27.5	29	72	40	58	42	24.5	78
16	58	17	44.5	83	7.5	10	41.5	44.5	100	45	62	50	32	107
20	69	20	52	97	10	12	48.5	52	117	51	70	76	39	128
25	81	24	62	115	10	8	57.5	62	135	60	80	67	46	138
32	96	29	75	136	12	11	68	70	165	78	100	83	56.5	175
40	112	28.5	84.5	112	28.5	25	56	84.5	180	95	130	100	52.5	175
50	136	38	106	136	38	25	68	106	220	112	149	110	55	185

DN	t1	t2	d1	d3	d4	SW	SW1	R	O型圈/O ring
6	1.8	6.8	6	6.5	11	24	7	76	12x19
10	1.8	8	9.5	8.4	13.5	32	9	100	16x2.4
16	1.8	8	15.5	8.4	13.5	36	9	112	25x2.4
20	2.5	9	20	10.5	16.5	60	12	187	28x3.1
25	2.5	9	25	10.5	16.5	50	12	187	35x3.1
32	2.5	12	32	13	19	70	14	227	40x3.1
40	2.5	17.5	40	17	26	-	14	227	50x3.1
50	2.5	20	48	21	33	-	17	227	55x3.1

高压球阀  
球式电磁阀  
油缸控制阀块  
蓄能器及附件



### ■ 订货示例/Ordering Code



#### ① 适用 Applicable :

Y 液压系统 Y hydraulic system

#### ② 名称代号 Name code :

JZQ 球形截止阀 JZQ ball stop valve

#### ③ 公称压力 Nominal pressure :

J -- 31.5MPa H -- 21MPa

#### ④ 公称通径 Nominal diameter :

10-50mm

#### ⑤ 连接形式 Connecting methods :

1. N内螺纹连接(G英制管螺纹)(ZG英制锥管螺纹)(NPT美标螺纹) N internal thread connection (G Britain standard pipe thread) (ZG Britain cone thread) (NPT American standard thread)
2. W外螺纹连接 / W external thread connection
3. B板式连接 / B-Disc connection

### ■ 产品简介/Production Overview

YJZQ型高压球阀主要用于液压管路中控制油液的流通和截止。本型球阀具有流阻损失小、密封性能可靠、操作方便、外观精美等特点。本型高压球阀阀体采用钢质锻件，表面镀铬。同时也提供本型号不锈钢球阀。

YJZQ type high pressure ball valve is used to control the flow and stop of the fluid in the hydraulic pipe. The ball valve has the advantages of small flow loss, reliable sealing performance, convenient operations, and beautiful cosmetic.

The high pressure ball valve body adopts chrome-pasted steel forging. In addition, we also provide stainless steel ball valve of the same type.

■ 外形尺寸/Cosmetic dimensions

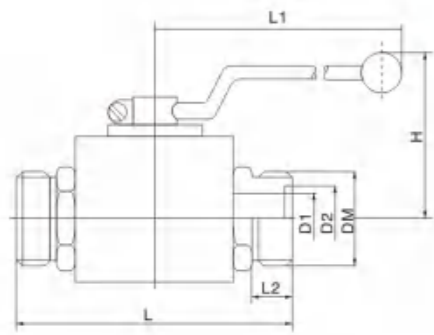


图1 尺寸表

型号 Type	M	尺寸 / Dimensions (mm)					
		D1	D2	L	L1	L2	H
YJZQ-J10W	M27x1.5	10	20	90	127	16	58
YJZQ-J15W	M30x1.5	15	22	95	127	16	68
YJZQ-J20W	M36x2	20	30	112	184	18	72
YJZQ-J25W	M42x2	24	35	122	184	20	86
YJZQ-J32W	M52x2	30	40	145	215	22	103
YJZQ-J40W	M64x2	38	50	156	215	24	120
YJZQ-J50W	M72x2	48	60	189	229	26	128

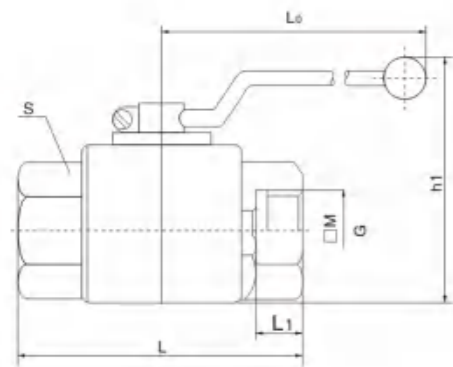


图2

图2 尺寸表

型号 / Type	M	G	尺寸 / Dimensions (mm)							
			B	H	h	h1	L	L1	S	L0
YJZQ-J10N	M18x1.5	3/8"	34	37	17	72	78	14	30	127
YJZQ-J15N	M22x1.5	1/2"	35	40	17.5	74	86	16	30	127
YJZQ-J20N	M27x2	3/4"	48	55	24	96	108	18	42	184
YJZQ-J25N	M33x2	1"	58	61	30.5	116	116	20	48	184
YJZQ-J32N	M42x2	1 1/4"	68	72	34	141	136	22	60	215
YJZQ-J40N	M48x2	1 1/2"	80	90	42	165	148	24	70	215
YJZQ-J50N	M64x2	2"	98	110	50	180	180	26	80	229

图3 尺寸表

型号 / Type	H	E	F	L	L1	L2	L3	L4	Φ1	Φ2	Φ3	Φ4
YJZQ-J10B	40	38	54	80	45	56	23	12	Φ10.5	Φ7	Φ10	Φ16
YJZQ-J15B	46	42	60	91	52	60	26	20	Φ13.5	Φ9	Φ15	Φ20
YJZQ-J20B	54	50	70	108	60	70	29	21.5	Φ16.5	Φ11	Φ20	Φ25
YJZQ-J25B	60	55	77	114	65	80	28.5	17.5	Φ16.5	Φ11	Φ25	Φ32
YJZQ-J32B	72	75	100	154	90	120	37	18	Φ19	Φ13	Φ32	Φ40
YJZQ-J40B	90	90	122	185	110	150	43	20	Φ25	Φ17	Φ40	Φ50



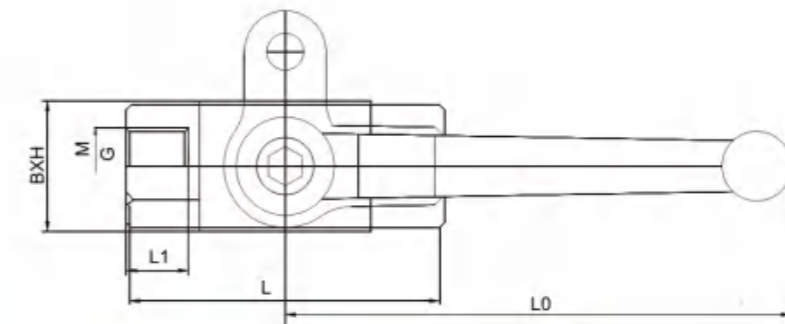
■ 订货示例/Ordering Code

**YJZQ-G1/2 DS**

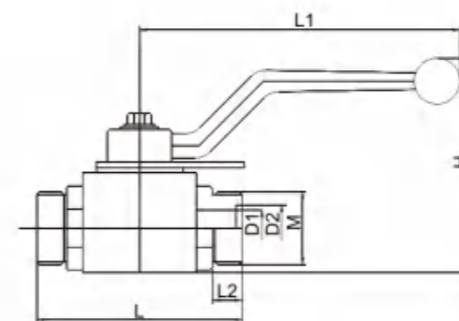
① 球阀型号 Ball Valve Model

② 对应的带锁装置规格  
Corresponding Lock Device Specification

■ 外形尺寸/Cosmetic dimensions



型号 / Type	M	G	尺寸 / Dimensions (mm)			
			BXH	L	L1	L0
YJZQ-J10N-DS	M18X1.5	3/8"	34*37	78	14	127
YJZQ-J15N-DS	M22X1.5	1/2"	35*40	86	16	127
YJZQ-J20N-DS	M27X2	3/4"	48*56	108	18	184
YJZQ-J25N-DS	M33X2	1"	58*61	116	20	184
YJZQ-J32N-DS	M42X2	1 1/4"	68*72	136	22	215
YJZQ-J40N-DS	M48X2	1 1/2"	80*90	148	24	215
YJZQ-J50N-DS	M64X2	2"	98*110	180	26	229

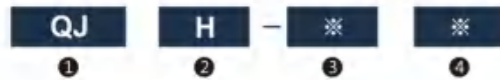


型号 / Type	M	尺寸 / Dimensions (mm)					
		D1	D2	L	L1	L2	H
YJZQ-J10W-DS	M27X1.5	10	20	90	127	16	58
YJZQ-J15W-DS	M30X1.5	15	22	95	127	18	68
YJZQ-J20W-DS	M36X2	20	30	112	184	18	72
YJZQ-J25W-DS	M42X2	24	35	122	184	20	86
YJZQ-J32W-DS	M52X2	30	40	145	215	22	103
YJZQ-J40W-DS	M64X2	38	50	156	215	24	120
YJZQ-J50W-DS	M72X2	48	60	189	229	26	128

球式电磁阀  
高压球阀  
油缸控制阀  
蓄能器及附件



■ 订货示例/Ordering Code



① 名称代号 Name code :

QJ球芯截止阀 QJBall core stop valve

② 公称压力 Nominal pressure :

H31.5MPa

③ 公称通径 Nominal diameter :

10-100

④ 连接方式 Connecting method :

B板式连接 / B- Disc connection

NL内螺纹连接 / NL- Internal thread connection

WL外螺纹连接 / WL-External thread connection

F(活动)圆法兰连接 / F(moving) round flange connection

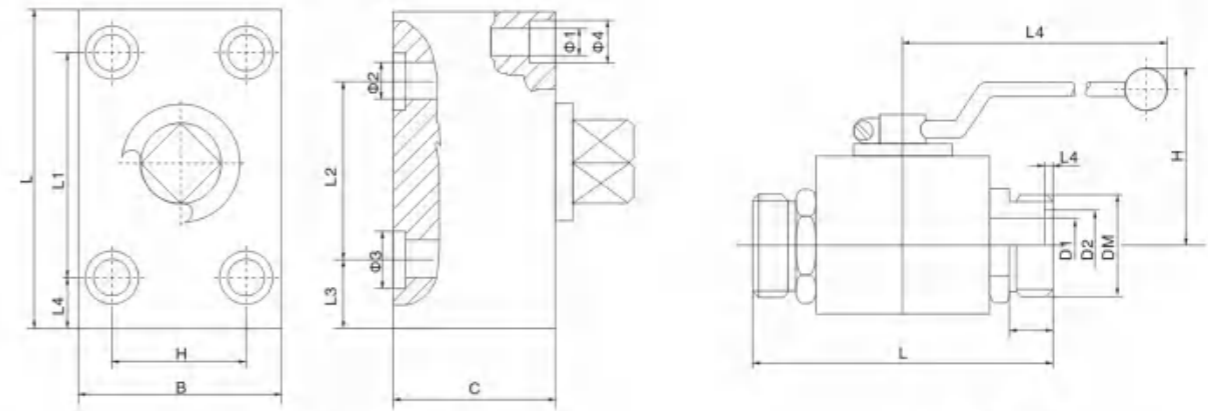
F1- 焊接法兰式连接 / F1- Welding flange connection

■ 产品简介/Production Overview

QJH高压球芯截止阀结构紧凑、性能可靠、外观精美。采用锻钢阀体，密封环为自润滑工程塑料，耐高压、密封性好，手把搬动灵活舒适。球阀芯及阀体内表面均作防腐处理，适用于各种油类及水基乳化液为介质的液压系统。有外螺纹、内螺纹、法兰式和板式连接；同时也提供本型不锈钢球阀。

QJH high pressure ball core stop valve has the advantages of compact structure, reliable performance, and beautiful cosmetic. It adopts forging steel as valve body. The sealing ring is a self lubricating, high pressure resisting, and good sealing engineering plastics and flexible manual operations. The ball valve core and valve body are given anti-corrosion treatment. It is applicable for oil type and water-base emulsion medium hydraulic system. There are external thread, internal thread, flange, and disc connections. In addition, we also provide basic type stainless steel ball valve.

■ 外形尺寸/Cosmetic dimensions



板式高压球阀连接

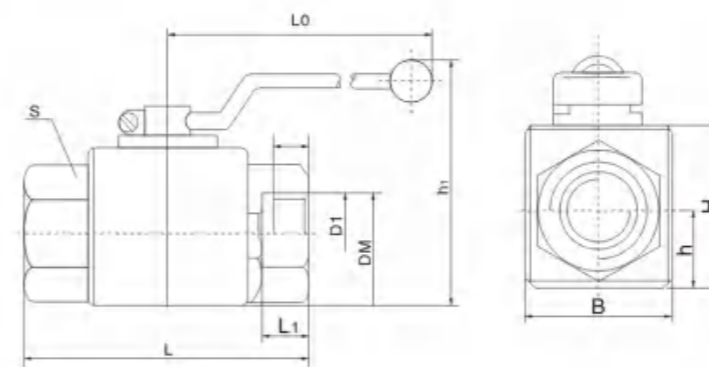
外螺纹连接

板式高压球阀连接尺寸 / Disc high pressure ball valve connecting dimensions

型号 / Type	L	B	C	L <sub>1</sub>	L <sub>2</sub>	L <sub>3</sub>	L <sub>4</sub>	H	Φ1	Φ2	Φ3	Φ4
QJH-10B	80	54	40	60	45	23	12	38	Φ7	Φ10	Φ16	Φ10.5
QJH-15B	91	60	46	60	52	26	20	42	Φ9	Φ15	Φ20	Φ13.5
QJH-20B	108	70	54	70	60	30	21.5	50	Φ11	Φ20	Φ25	Φ16.5
QJH-25B	125	77	60	80	72	33	30	55	Φ11	Φ25	Φ32	Φ16.5
QJH-32B	161	100	72	120	99	37	23	75	Φ13	Φ32	Φ40	Φ19
QJH-40B	187	122	90	150	112	43	20	90	Φ17	Φ40	Φ50	Φ25

外螺纹连接尺寸 / External thread connecting dimensions

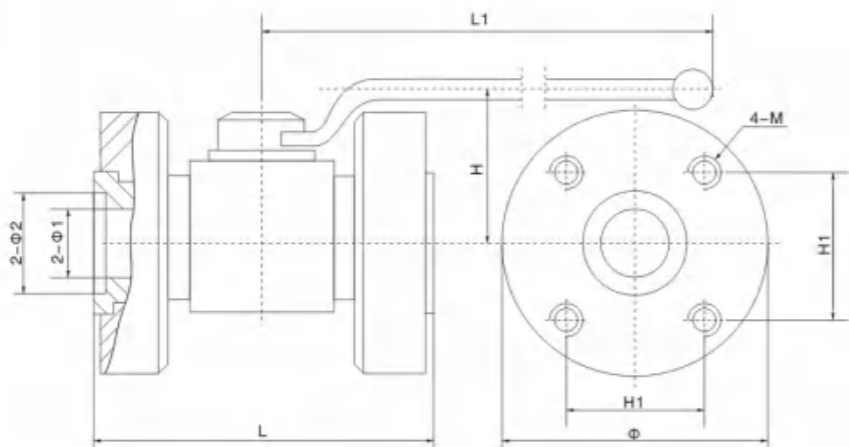
型号 / Type	DM	L	D <sub>1</sub>	D <sub>2</sub>	L <sub>3</sub>	L <sub>4</sub>	H	L <sub>2</sub>
QJH-6WL	M16x1.5	70	6	11	12	1.4	27	110
QJH-10WL	M22x1.5	86	10	16	14	1.8	37	110
QJH-15WL	M30x1.5	96	15	25	16	1.8	40	145
QJH-20WL	M36x2	112	18	30	18	2.4	55	155
QJH-25WL	M42x2	122	22	35	20	2.4	61	155
QJH-32WL	M52x2	145	30	40	22	2.4	72	210
QJH-40WL	M60x2	162	36	50	24	2.4	90	225



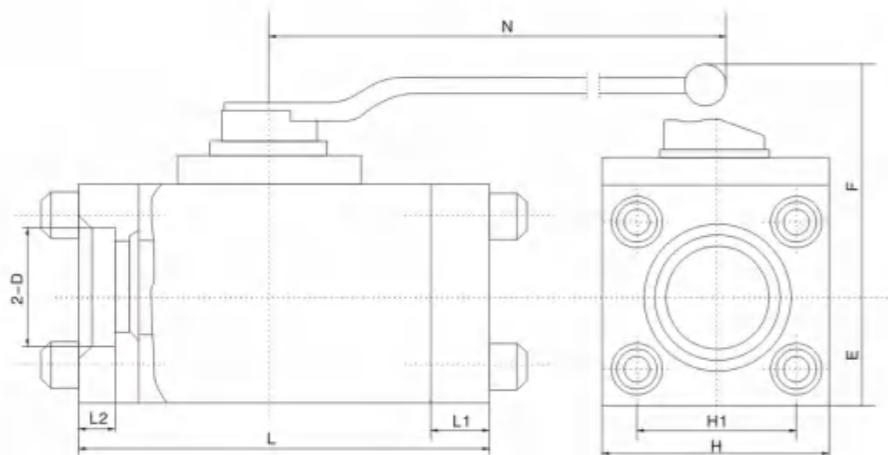
内螺纹连接尺寸 Internal thread connecting dimensions

型号 / Type	DM	L	D <sub>1</sub>	L <sub>3</sub>	H	B	h <sub>1</sub>	L <sub>0</sub>
QJH-6NL	M16x1.5	68	6	10	27	24	65	110
QJH-10NL	M18x1.5	76	10	14	37	34	72	110
QJH-15NL	M27x2	88	15	16	46	44	74	145
QJH-20NL	M33x2	102	18	16	55	48	96	155
QJH-25NL	M42x2	116	22	20	61	58	116	155
QJH-32NL	M48x2	129	30	20	72	68	141	210
QJH-40NL	M60x2	147	36	24	90	80	165	225

高压球阀  
油缸控制阀块  
蓄能器及附件  
球式电磁阀  
高压截止阀

**外形尺寸/Cosmetic dimensions**

**(活动)圆法兰连接尺寸 / (Moving) Round flange connecting dimensions**

型号Type	L	L <sub>1</sub>	H	H <sub>1</sub>	Φ	2-Φ1	2-Φ2	4-M
QJH-10F	103	127	58	36	Φ68	Φ10	Φ22	M10
QJH-15F	113.5	127	68	40	Φ75	Φ13	Φ24	M10
QJH-20F	117.4	184	72	42	Φ78	Φ20	Φ30	M10
QJH-25F	133.5	184	86	56	Φ100	Φ25	Φ38	M12
QJH-32F	145.4	215	103	62	Φ110	Φ32	Φ45	M12
QJH-40F	175	215	120	73	Φ130	Φ40	Φ55	M16
QJH-50F	190	229	128	86	Φ150	Φ48	Φ60	M18
QJH-65F	240	229	160	98	Φ175	Φ60	Φ70	M22


**焊接法兰连接尺寸 / Welding flange connecting dimensions**

型号Type	2-D	L <sub>2</sub>	L	L <sub>1</sub>	H	H <sub>1</sub>	F	E	N
QJH-50F1	Φ62	17	200	30	110	74	118	55	250
QJH-65F1	Φ77	22	250	45	140	101.2	132	70	250
QJH-80F1	Φ91	25	265	45	150	113.1	142	75	315
QJH-100F1	Φ116	30	294	50	195	154	152	97.5	315


**订货示例/Ordering Code**

**① 主要应用领域 Main application :**

C船用 / C Marine application

**② 名称代号 Name code :**

JZQ--球形截止阀 / JZQ Ball core stop valve

**③ 连接方式 Connecting method :**

 F法兰式连接 / F- Flange connection  
 L外螺纹连接式 / L-External thread connection  
 G内螺纹连接式 / G-Internal thread connection

**④ 公称通径 Nominal pressure :**

6-100mm

**⑤ 公称压力 Nominal diameter :**

H--31.5MPa F--20MPa

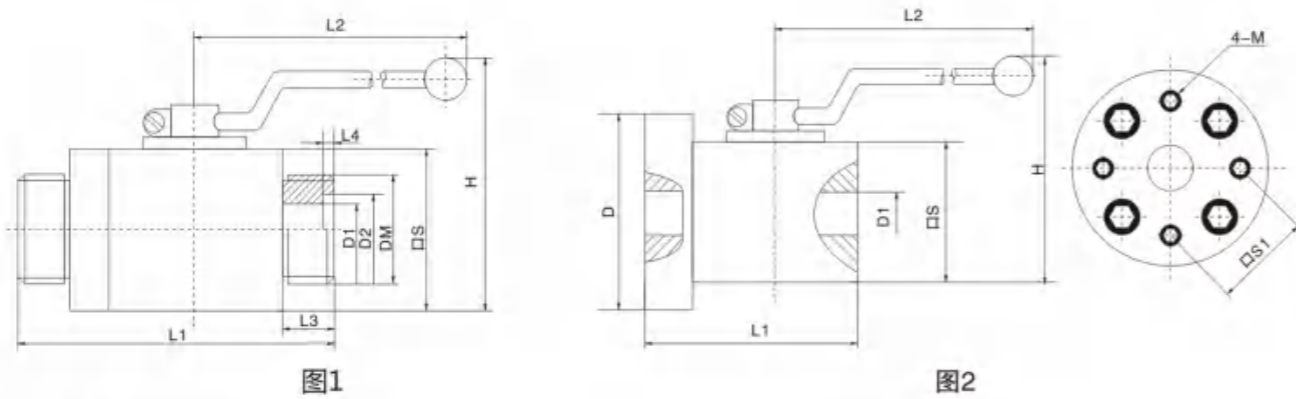
**产品简介/Production Overview**

CJZQ球形截止阀用于液压管路中控制油液的流通和截止。本型球阀具有流阻损失小、密封性能可靠、操作方便、外观精美等特点。

本型高压球阀主要由阀体、球阀、阀杆、手柄和密封装置组成。阀体采用钢质锻件，表面镀铬。同时也提供本型不锈钢球阀。本型高压球阀主要有三种连接方式：外螺纹式、内螺纹式和法兰式。

JZQ type high pressure ball valve is used to control fluid flow and stopping in the hydraulic pipe. The ball valve has the advantages of small flow loss, reliable sealing performance, convenient operations, and beautiful cosmetic.

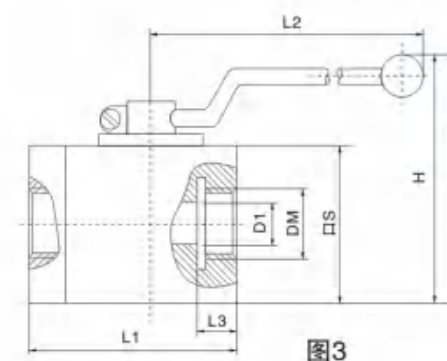
The high pressure ball valve is composed of valve body, ball body, valve rod, handle, and sealing device. The valve body adopts forging steel coated with chrome. There are four connections including external thread, internal thread, flange, and disc connection.

**外形尺寸/Cosmetic dimensions**

**图1 尺寸表**

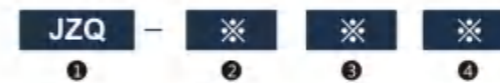
型号 Type	D1/DN (MM)	基本尺寸 / Basic dimensions (mm)							
		L1	L2	L3	L4	H	D2	□S	DM
CJZQ-L6H	6	72	100	12	1.5	80	11	34	M16x1.5
CJZQ-L8H	8	86	100	14	1.5	80	16	44	M22x1.5
CJZQ-L10H	10	100	127	15	1.8	90	20	46	M27x1.5
CJZQ-L15H	15	105	127	16	1.8	94	24	52	M30x1.5
CJZQ-L20H	20	121	184	18	2.4	115	30	65	M36x2
CJZQ-L25H	25	135	184	20	2.4	122	35	68	M42x2
CJZQ-L32H	32	160	215	22	2.4	145	40	85	M52x2
CJZQ-L40H	40	180	215	30	2.4	150	45	90	M60x2
CJZQ-L50H	50	205	229	35	2.4	190	55	120	M72x2

**图2 尺寸表**

型号 Type	D1/DN (MM)	基本尺寸 / Basic dimensions (mm)							
		L1	L2	H	D1	□S	□S1	4-M	D
CJZQ-F10H	10	88	127	90	10	52	28.3	M8	73
CJZQ-F15H	15	91	127	94	15	56	35.4	M8	78
CJZQ-F20H	20	97	184	115	20	65	43.8	M10	88
CJZQ-F25H	25	111	184	122	24	70	51.6	M12	98
CJZQ-F32H	32	131	215	145	30	84	60.1	M14	128
CJZQ-F40H	40	141	215	150	38	90	69.3	M16	130
CJZQ-F50H	50	170	229	190	48	120	83.4	M20	156
CJZQ-F65H	65	165	290	190	60	142	102.5	M20	188
CJZQ-F80H	80	225	290	220	70	180	113.1	M24	218
CJZQ-F100H	100	260	290	260	90	200	140	M30	260


**图3 尺寸表**

型号 Type	D1/DN (MM)	基本尺寸 / Basic dimensions (mm)							
		L1	L2	L3	H	D1	□S	DM	
CJZQ-G6H	6	68	100	12	80	6	44	M14x1.5	
CJZQ-G8H	8	70	100	14	80	8	44	M16x1.5	
CJZQ-G10H	10	88	127	14	85	10	52	M18x1.5	
CJZQ-G15H	15	91	127	16	89	15	55	M27x2	
CJZQ-G20H	20	100	184	18	109	20	65	M33x2	
CJZQ-G25H	25	111	184	20	114	24	70	M42x2	
CJZQ-G32H	32	131	215	22	129	30	81	M48x2	


**订货示例/Ordering Code**

**1 名称代号: JZQ球形截止阀**

Name code: JZQBall core stop valve

**2 压力等级 Pressure grade:**

 H31.5MPa  
 F20MPa

**3 公称通径 Nominal diameter:**

6-65mm

**4 连接方式 Connecting method:**

 L--螺纹连接式 External thread connection  
 G--内螺纹连接式 Internal thread connection  
 F--法兰连接式 Flange connection  
 B--板式连接式 Disc connection

**产品简介/Production Overview**

JZQ型高压球阀主要用于液压管路中控制油液的流通和截止。本型球阀具有流阻损失小、密封性能可靠、操作方便、外观精美等特点。

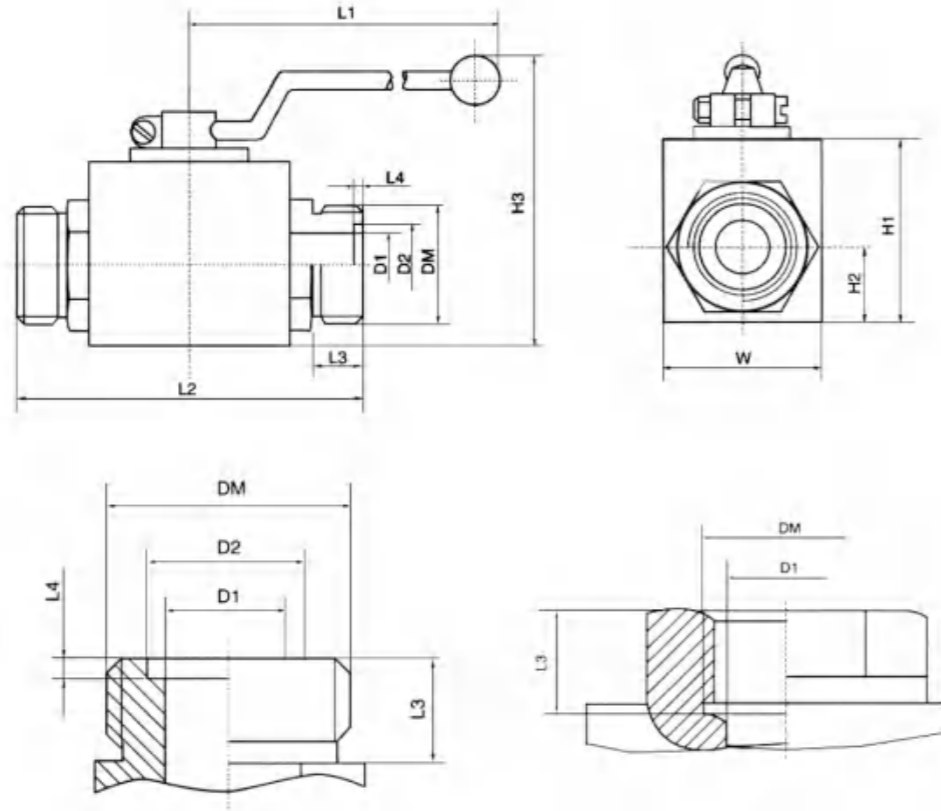
本型高压球阀主要由阀体、球体、阀杆、手柄和密封装置组成。阀体采用钢质锻件，表面镀铬。同时也提供本型不锈钢球阀。本型高压球阀主要有四种连接方式：外螺纹式、内螺纹式、法兰式和板式连接。

JZQ type high pressure ball valve is used to control fluid flow and stopping in the hydraulic pipe. The ball valve has the advantages of small flow loss, reliable sealing performance, convenient operations, and beautiful cosmetic. The high pressure ball valve is composed of valve body, ball body, valve rod, handle, and sealing device. The valve body adopts forging steel coated with chrome. We also provide basic type stainless steel ball valve of the same specifications. There are four connections including external thread, internal thread, flange, and disc connection.

 高压球阀  
 球式电磁阀  
 油缸控制阀块  
 蓄能器及附件



■ 外形尺寸/Cosmetic dimensions



图一

图二

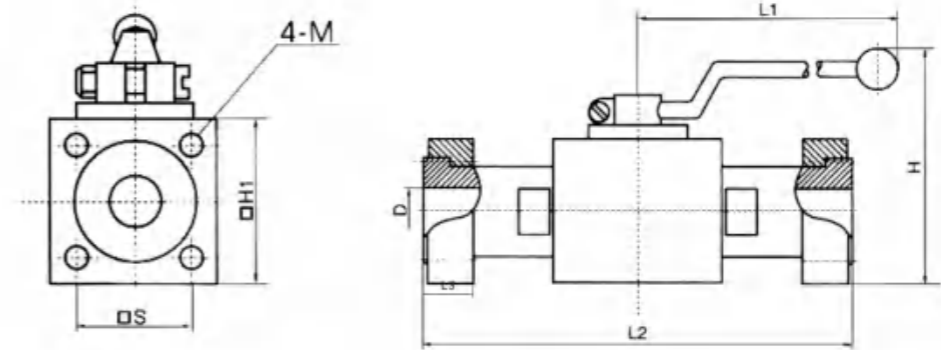
图一尺寸表

型号/Type	D1/DN (MM)	基本尺寸 / Basic dimensions (mm)										重量/Weight (kg)	
		L1	L2	L3	L4	H1	H2	H3	W	D1	D2		DM
JZQ-H6L	6	100	80	12	1.28	33	13.5	65	26	6	11	M16x1.5	0.5
JZQ-H10L	10	130	80	12	1.97	38	17.5	71	32	10	16	M22x1.5	0.7
JZQ-H15L	15	130	91	14	1.97	48	21	81	40	15	25	M30x1.5	0.9
JZQ-H20L	20	170	108	16.5	1.97	57	24.5	101	49	20	30	M36x2	1.3
JZQ-H25L	25	170	126	20	1.97	68	32.5	112	61	24	35	M42x2	1.9
JZQ-H32L	30	210	144	22	1.97	80	38	125	72	30	40	M52x2	3.5
JZQ-H40L	40	210	160	24	1.97	92	44	137	85	38	50	M60x2	5.8

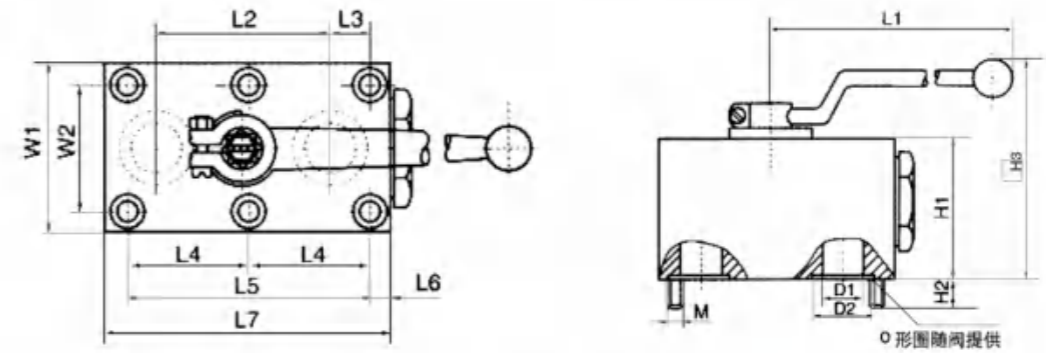
图二尺寸表

型号/Type	D1/DN (MM)	基本尺寸 / Basic dimensions (mm)										重量/Weight (kg)
		L1	L2	L3	H1	H2	H3	W	D1	DM		
JZQ-H6G	6	100	80	12	33	13.5	65	26	6	M14x1.5	0.6	
JZQ-H10G	10	130	80	14	38	17.5	71	32	10	M18x1.5	0.7	
JZQ-H15G	15	130	91	16	48	21	81	40	15	M27x1.5	1.0	
JZQ-H20G	20	170	98	16	57	24.5	101	49	20	M33x2	1.4	
JZQ-H25G	25	170	116	20	68	32.5	112	61	24	M42x2	2.1	
JZQ-H32G	30	210	128	22	80	38	125	72	30	M48x2	3.7	
JZQ-H40G	40	210	135	24	92	44	137	85	38	M48x2	6.0	

■ 外形尺寸/Cosmetic dimensions



型号/Type	Dn (mm)	基本尺寸 / Basic dimensions (mm)							重量/Weight (kg)	
		L1	L2	L3	H	□H1	□S	4-M		D
JZQ-H10F	10	130	124	20	77.5	48	28.3	M8	10	1.1
JZQ-H15F	15	130	141	20	88.5	53	35.4	M8	15	1.6
JZQ-H20F	20	170	149	20	108	65	43.8	M10	20	2.7
JZQ-H25F	25	170	160	25	118	77	51.6	M12	24	4.5
JZQ-H32F	32	210	180	25	131	88	60.1	M14	30	8.1
JZQ-H40F	40	210	202	30	143	100	69.3	M16	38	10.3
JZQ-H50F	50	250	241	36	170	125	86	M18	48	18.8
JZQ-H65F	65	290	280	45	190	148	105	M22	60	32



型号/Type	Dn (mm)	基本尺寸 / Basic dimensions (mm)															重量/Weight (kg)
		L1	L2	L3	L4	L5	L6	L7	H1	H2	H3	W1	W2	M	2-D1	2-D2	
JZQ-H6B	6	100	35	—	—	35	14.5	59	38	10	70	42	27	4-M6	6	11	1.0
JZQ-H10B	10	130	44	8.5	—	55	8.5	72	40	13	75	58	40	4-M8	10	16	1.5
JZQ-H15B	15	130	58	16.5	41.5	83	8.5	100	50	13	83	62	45	6-M8	15	25	2.6
JZQ-H20B	20	170	69	18	48.5	97	11	119	60	16	104	72	51	6-M10	20	30	4.3
JZQ-H25B	25	170	81	20	57.5	115	10	135	67	16	114	80	60	6-M10	24	35	6.2
JZQ-H32B	32	210	96	23	68	136	17	165	90	19	125	100	78	6-M12	30	40	10.8
JZQ-H40B	40	210	112	—	56	112	49.5	180	96	25	141	130	95	6-M16	38	50	19.4
JZQ-H50B	50	250	136	—	68	136	56	230	110	31	160	150	112	6-M20	48	60	31.3

球式电磁阀  
油缸控制阀块  
高压球阀  
SAE标准球阀  
国际标准化球阀  
德标标准球阀



■ 订货示例/Ordering Code



- ① 名称代号 Name code :  
Q--球阀 Qball valve
- ② 连接形式 Connecting methods :  
1--内螺纹 Internal Thread  
2--外螺纹 External Thread  
F--焊接式法兰 Welding Type Flange
- ③ 结构形式 Structure :  
I--直通式 Straight Through
- ④ 密封材料 Sealing Materials :  
增强尼龙、聚四氟乙烯 Reinforced Nylon, Teflon
- ⑤ 公称压力 Nominal Pressure :  
10、20、31.5MPa
- ⑥ 公称口径 Nominal diameter :  
10~40mm

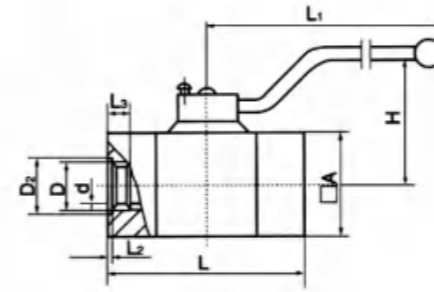
■ 产品简介/Production Overview

本阀主要用于蓄能器前作断流装置，亦可在其它液压系统中作启闭之用。球阀的启闭位置由阀杆头部标记指示，当刻线和管平行则为开启，反之则为关闭，工作介质可由任意一端出入。适用于公称压力10、20、31.5MPa，介质温度为：10℃~+80℃的液压油的乳化液的系统上。本阀接头采用组合式，因此可以根据用户的连接需要进行选配。

The valve is used to switch off the power for energy storage or switch off the hydraulic system. The on and off position of the ball valve is indicated by the valve rod head marks. When the scale is in parallel with the pipe, it opens; and vice versa, it closes. The working medium may be filled from any end. The applicable nominal pressure 10, 20, 31.5Mpa. Medium temperature: emulsion at -10C~+80C. The valve adopts composite connectors. The clients may make options as required.

■ 外形尺寸/Cosmetic dimensions

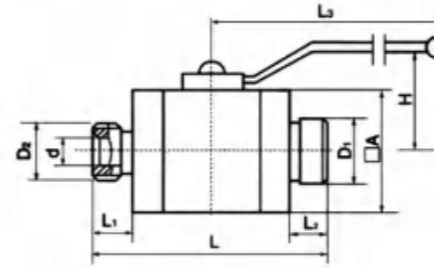
Q1INS型外形尺寸 / Q1INS type cosmetic dimensions



内螺纹连接 / Internal thread connection

公称口径 D0 Nominal Diameter	d	L	L1	L2	L3	D	D2	A	H	重量 (Kg)	型号 Type
10	12	85	100	1	15	M18x1.5	25	52	50	1.5	ZQF-L※H※B
15	16	110	100	1	18	M22x1.5	32	56	75	2.2	
20	20	110	150	1	20	M27x2	36	65	75	3.2	
25	24	110	190	1	21	M33x2	43	68	82	4.2	
32	30	110	190	1	24	M42x2	54	85	87	6.6	
40	38	135	190	1.2	26	M48x2	61	90	87	9.5	

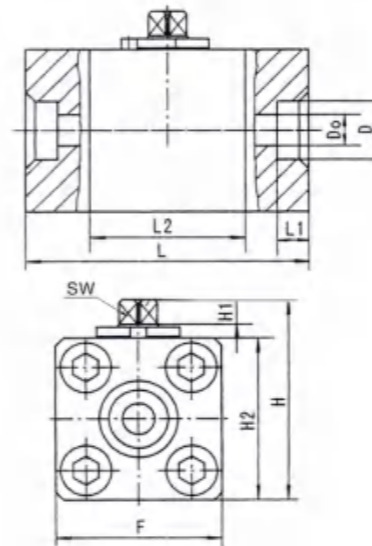
Q2INS型外形尺寸 / Q2INS type cosmetic dimensions



外螺纹连接 / Welding type flange connection

公称口径 D0 Nominal Diameter	d	L	L1	L2	D1	D2	A	H	重量(Kg) weight	型号/type
20	20	125	20	20	M33x2	M27x2	65	77	2.2	NXQ-※16-10※-Y
25	24	139	23	23	M42x2	M33x2	68	82	4.7	NXQ-※16-40※-Y
32	30	164	30	30	M60x2	M42x2	85	87	7.8	
40	38	164	30	30	M60x2	M48x2	90	87	9.5	

QFINS型外形尺寸 / QFINS type cosmetic dimensions



连焊接式法兰 / to welding type flange

公称口径 Nominal Diameter	D0	D	L	L1	L2	F	H	H1	H2	SW
10	10	18.5	85	10	48	52	65	8	52	9
15	13	22.5	110	11	50	56	68.5	8	56	9
20	18	28.5	110	12	52	65	83	12	65	14
25	24	33.5	110	14	54	68	86	12	65	14
32	30	43	110	16	60	85	105.5	14	85	17
40	36	50	126	18	60	90	110.5	14	90	17
50	46	62	148	20	76	100	120.5	14	100	17

蓄能器及附件  
油缸控制阀块  
高压球阀  
板式高压球阀  
SAE标准球阀  
国际标准高压球阀



■ 订货示例/Ordering Code

**Q** **1** **1** **F** - **16** - **C** - **15**

① ② ③ ④ ⑤ ⑥ ⑦

① 名称代号 Name code :

Q--球阀 Ball Valve

② 连接形式 Connecting methods :

- 1--内螺纹 Internal Thread
- 2--法兰(螺栓连接) Flange (Bolt Connection)
- 3--焊接 Welding

③ 结构形式 Structure :

I--直通式 Straight Through

④ 密封材料 Sealing materials :

F--氟塑料 Teflon N--尼龙 Nylon

⑤ 公称压力 Nominal Pressure :

16-1.6MPa ; 315--31.5MPa

⑥ 阀体材料 Valve Body Material :

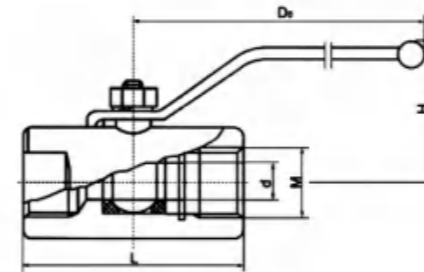
- C--碳钢 Carbon Steel
- P--1Cr18Ni9Ti不锈钢 1Cr19Ni9Ti Stainless Steel
- T--铜合金 Copper Alloy

⑦ 公称通径 Nominal diameter :

10、15、20...mm

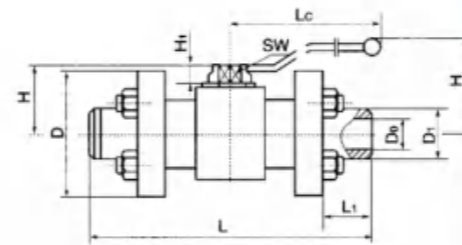
■ 外形尺寸/Cosmetic dimensions

16C 内螺纹直通式球阀  
Q11F - 40C - ※ Internal thread straight  
64C through ball valve



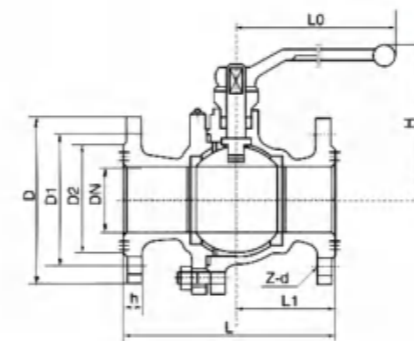
公称通径(DN) nominal diameter	尺寸 / Dimensions (mm)				
	D	M	H	L	D <sub>0</sub>
10	6.5	3/8"	58	60	105
15	9.5	1/2"	58	65	105
20	12.5	3/4"	62	75	120
25	17	1"	68	80	120
32	22	1 1/4"	75	95	140
40	26	1 1/2"	86	110	180
50	33	2"	98	130	200
65	40	G2 1/2"	147	160	300

Q61N-315-焊接式 / welding type



型号 Type	公称压力(MPa) Nominal pressure	尺寸 / Dimensions (mm)							
		D <sub>0</sub>	D	D <sub>1</sub>	L	L <sub>1</sub>	H	H <sub>1</sub>	SW
Q610-315-10	31.5	10	68	18	150	30	40	9	9
Q610-315-15		13	74	23	170	35	42	9	9
Q610-315-20		18	86	29	190	39.5	49.5	12	12
Q610-315-25		22	92	36	205	35	51	12	12
Q610-315-32		30	114	43	230	40	61	13.5	14
Q610-315-40		36	123	50	260	40	63	13.5	14
Q610-315-50	46	156	62	320	60	79	14.5	17	
Q610-200-65	20	62	168	79	360	70	115	35	18
Q610-200-100		87	215	116	400	60	132	34	25

Q41F-法兰式 / flange type



公称通径(DN) nominal diameter	尺寸 / Dimensions (mm)								
	L	L <sub>1</sub>	D	D <sub>1</sub>	D <sub>2</sub>	Z-d	H	b	L <sub>0</sub>
15	130	57	95	65	45	4-14	103	14	100
20	140	62	105	75	55	4-14	112	14	160
25	150	65	115	85	65	4-14	123	14	160
32	165	71	135	100	78	4-18	150	16	200
40	180	71	145	110	85	4-18	156	16	250
50	200	85	160	125	100	4-18	172	18	300
65	220	100	180	145	120	4-18	197	18	350
80	250	114	193	160	135	8-18	222	20	450
100	280	130	215	180	155	8-18	286	22	600
125	320	150	245	210	180	8-18	286	22	600
150	360	160	280	240	210	8-23	297	24	800

蓄能器及附件  
油缸控制阀块  
高压球阀  
球式电磁阀  
国际标准高压球阀  
SAE标准球阀  
板式高压球阀



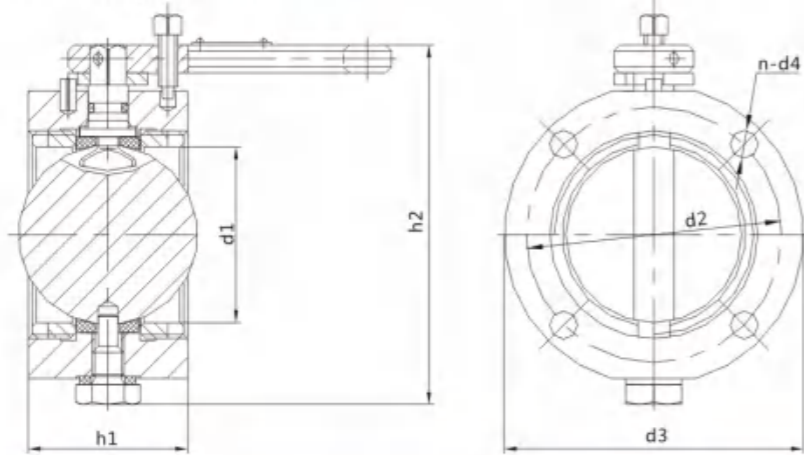
■ 订货示例/Ordering Code

**JZF - 40 F A 1**

① ② ③ ④ ⑤

- ① 系列代号: JZF型低压截止阀;  
Series Code: JZF type low-pressure stop valve
- ② 公称通径 Nominal Diameter: 40、60、65、80、100;
- ③ 安装方式 Joint Model: F-法兰连接 Flange type;

■ 技术参数/Technical parameter



型号 Model	h1	h2	d1	d2	d3	n-d4	两端密封形式 Mode of sealing at two ends
JZF-40F	40	90	Φ44	Φ64	Φ75	4-Φ7	两端平面, 无O形圈沟槽 Surface of two ends, without O-ring groove
JZF-40FA	40	90	Φ44	Φ70	Φ81	4-Φ7	两端带60×3.1O形圈沟槽 Two ends have 60×3.1 O-ring groove
JZF-40FB	40	90	Φ44	Φ70	Φ81	4-Φ7	两端带56×3.5O形圈沟槽 Two ends have 56×3.5 O-ring groove
JZF-60F	45	115	Φ68	Φ92	Φ105	4-Φ7	两端平面, 无O形圈沟槽 Surface of two ends, without O-ring groove
JZF-65FB	50	150	Φ67	Φ108	Φ135	6-Φ11	两端带90×3.1O形圈沟槽 Two ends have 90×3.1 O-ring groove
JZF-80F	50	150	Φ91	Φ120	Φ135	4-Φ9	两端平面, 无O形圈沟槽 Surface of two ends, without O-ring groove
JZF-80FD	50	150	Φ91	Φ135	Φ148	6-Φ9	两端带106×5.3O形圈沟槽 Two ends have 106×5.3 O-ring groove
JZF-100F	55	175	Φ116	Φ148	Φ165	4-Φ9	两端平面, 无O形圈沟槽 Surface of two ends, without O-ring groove
JZF-100FB	55	175	Φ116	Φ148	Φ165	4-Φ9	两端带128×2.65O形圈沟槽 Two ends have 128×2.65 O-ring groove
JZF-100FD	55	175	Φ116	Φ162	Φ190	6-Φ12.5	两端带130×4O形圈沟槽 Two ends have 128×2.65 O-ring groove

■ 图形符号/Graphic Symbol



- ④ 密封形式 Airproof Model:  
空白-不带O型密封圈、A-带O型密封圈、  
B-带O型密封圈 (规格与A不同) ...  
blank-without O-ring sealing A-with O-ring sealing  
B-with O-ring sealing(different from A)...
- ⑤ 阀体表面处理 Surface Treatment:  
1-蓝白三价铬、3-黑磷化; 备注: 适用介质液压油  
1-SILVER ZINC PLATED 3-black phosphoric plated  
PS.Applicable Medium:hydraulic oil



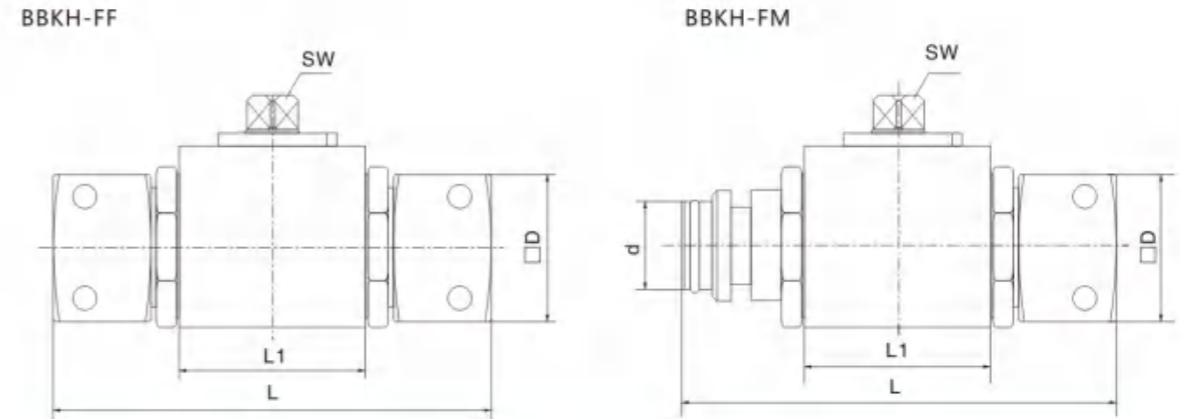
■ 订货示例/Ordering Code

**BBKH - 10 - 1123 - 1 - FF**

① ② ③ ④ ⑤

- ① 产品代号: BBKH
- ② 公称通径: 10、13、20、25mm
- ③ 材料:  
阀体、接头和芯轴为碳钢球镀铬;  
接头、芯轴密封采用NBR;球体密封采用POM
- ④ 表面处理: 1-黄锌 2-环保锌
- ⑤ 连接形式:  
FF-两头连接均内接头  
FM-两头连接一头为内接头, 一头为外接头

■ 外形尺寸/Cosmetic dimensions



型号	DN	PN(bar)	L	L1	D	d	SW
BBKH-10-1123-FF	10	500	113	42	30	-	9
BBKH-10-1123-FM						14	
BBKH-13-1123-FF	13	500	118	48	35	-	9
BBKH-13-1123-FM						18	
BBKH-20-1123-FF	20	315	138	60	40	-	14
BBKH-20-1123-FM						24	
BBKH-25-1123-FF	25	315	151	65	52	-	14
BBKH-25-1123-FM						31	

此类球阀连接符号SAE J1467和DIN 20043标准。

高压球阀  
球式电磁阀  
油缸控制阀块  
蓄能器及附件

# 球式电磁阀、高压截止阀



## ■ 订货示例/Ordering Code



### ① 操作方式 Operating method :

省略--电磁阀 / Omitted--electromagnetic ball valve  
S--带手动操作 / S--Swith manual operation  
Fb--隔暴型 / Fb--Fbanti explosion type

### ② 工作位置 Working position :

2--二位 / 2-- Two-way

### ③ 工作油口 Working oil port :

3--三通 / 3--three-way  
4--四通 / 4--four-way

### ④ 电磁球阀固定型号 Electromagnetic ball valve fixed type

### ⑤ 公称口径 Nominal diameter :

6--6口径 / 6--six-way  
10--10口径 / 10--ten-way

### ⑥ 机能代号 Function code

### ⑦ 安装板代号 Installation board code :

省略--DIN24340A8 / OmittedDIN 24340-A8  
4型IS04401AB034A / 4 type IS04401AB034A

### ⑧ 工作压力 Working pressure :

315-31.5MPa

### ⑨ 额定电压 Rated voltage :

E24--直流(IC)24VDC  
E110--直流(IC)110VDC  
B110--交流(AC)110VAC  
B220--交流(AC)220VAC

**产品简介/Production Overview**

本型球式电磁换向阀主要用于二通插装阀液压系统中实现无泄露先导控制，在满足压降流量特性要求时也可作为其他执行机构的方向控制元件用。

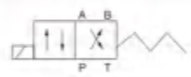
本型阀的阀芯采用优质高精度钢球、无轴向密封长度，换向过程中不存在液压力造成的径向卡紧，故而换向可靠，响应快。

由于本型阀的结构特点以及选用耐蚀性能优良的材料，采用特殊的工艺处理，使它广泛适用于以矿物油、乳化液、高水基液为介质的系统中。

The ball type electromagnetic valve is used to realize leak-free pilot control for two-way plug-in valve hydraulic system. Under the desired pressure drop and flow features, it may also be used as control components for other executive device.

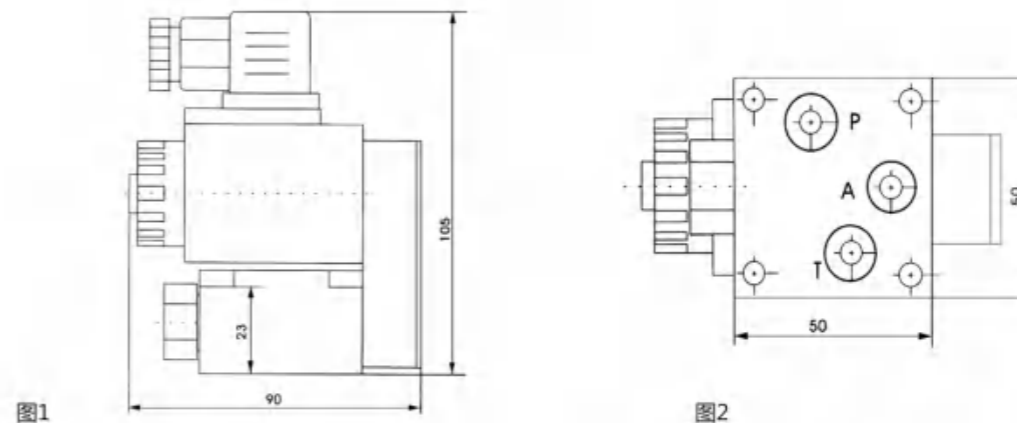
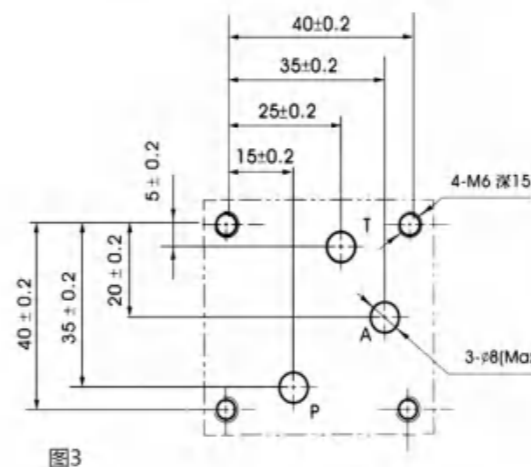
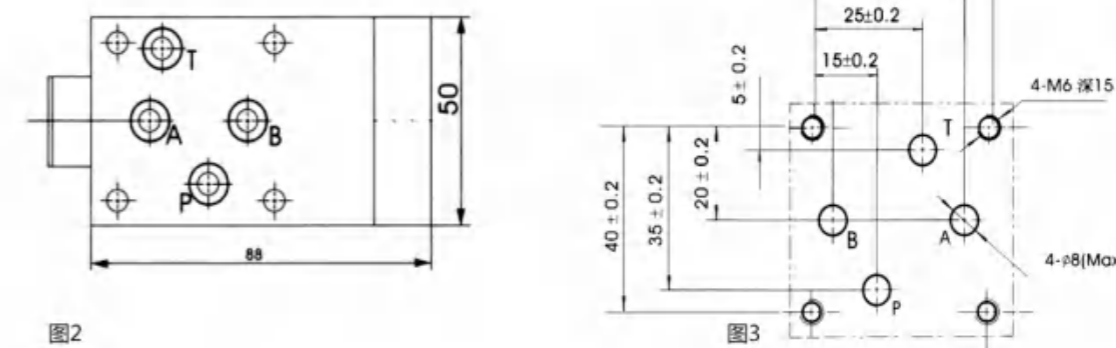
The valve core adopts high quality precision steel ball without axial length. During the selection, the valve is free from axial block resulting from hydraulic pressure. Therefore, it may work reliably and fast.

Thanks to the structure features and corrosive quality materials, it is applied in mineral oil, emulsion liquid, high water-base hydraulic medium after special process treatment.

二位三通 2-position 3-way		三位四通 3-position 4-way	
机能代号 Function code	机能符号 Function label	机能代号 Function code	机能符号 Function label
K(EP) 常开 K(EP) Constant open		K	
B(EY) 常闭 B(EY) Constant close		B	

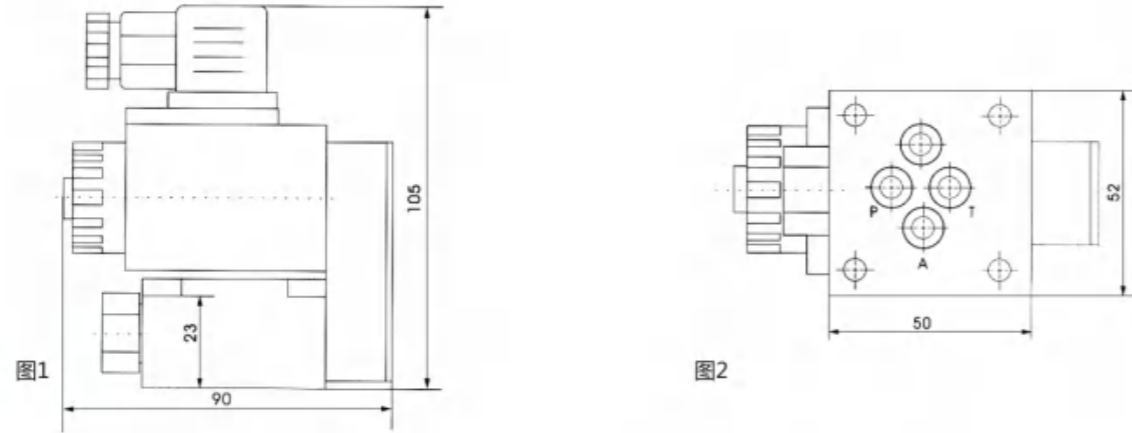
**技术参数/Technical parameter**

公称直径 Nominal diameter	6通径(diameter),10通径(diameter)
公称压力 Nominal pressure	31.5MPa
额定流量 Rated current	6通径(diameter) 16L/mln 10通径(diameter) 36L/mln
过滤精度 Filter precision	<25u
工作介质粘度 Working medium viscosity	10~350cst
工作介质温度 Working medium temperature	-15°C~65°C
电磁阀额定换向频率 Electromagnetic rated selector frequency	120 / 分(min)
适用介质 Applicable medium	矿物油、乳化液、高水基液体 mineral, emulsion liquid, high water-base liquid

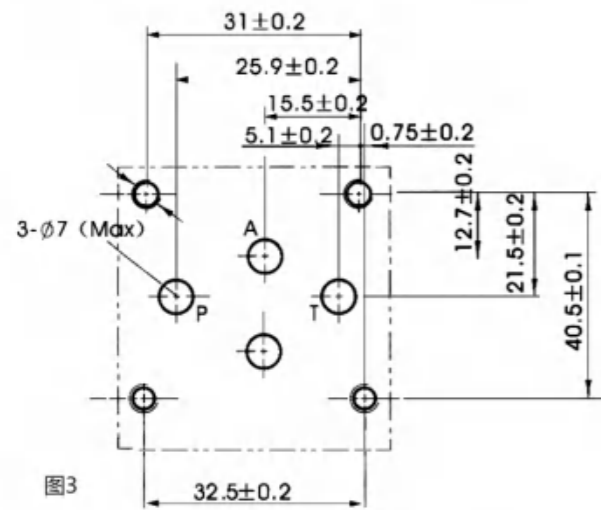
**外形及安装连接尺寸/Cosmetic and installation connecting dimensions**
**1. NG6二位三通(two-position three-way) : \*23QDF-6\* / 31.5\***
**a) 外型尺寸 / Cosmetic dimensions**

**b) NG6二位三通安装底板尺寸(符合DIN24340-A8)  
NG6(two-position three-way) Installation bottom board dimensions(conforming to DIN24340-A8)**

**b) NG6二位四通安装底板尺寸(符合DIN24340-A8)  
NG6(two-position four-way) Installation bottom board dimensions(conforming to DIN24340-A8)**


3. NG6二位三通 / NG6 two-position three-way : ※23QDF-6※-4 / 31.5※

A). 外型尺寸 / Cosmetic dimensions



b). NG6二位三通安装底板尺寸(符合ISO4401-AB-03-4-A)  
NG6 two-position three-way Installation bottom board dimensions (conforming to ISO4401-AB-03-4-A)



b). NG6二位四通安装底板尺寸(符合ISO4401-AB-03-4-A)  
NG6 two-position four-way Installation bottom board dimensions (conforming to ISO4401-AB-03-4-A)

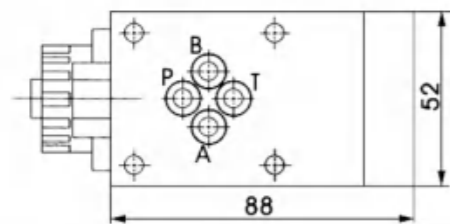


图2

4. NG6二位四通 / NG6 two-position four-way : ※24QDF-6※4 / 31.5※  
A). 外型尺寸 / Cosmetic dimensions

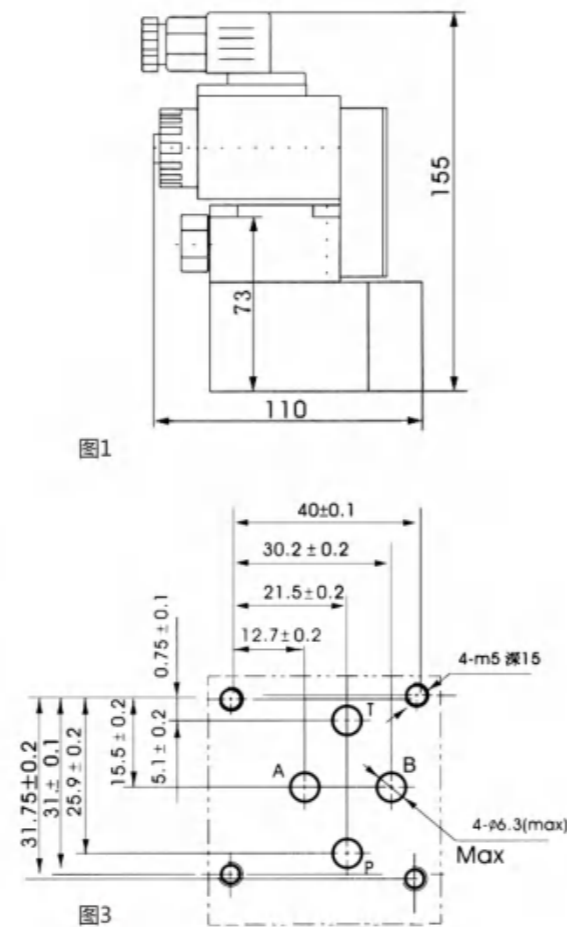


图3

6. NG10二位三通 / two-position three-way : ※23QDF10※/315※

a). 外型尺寸(单位mm) / Cosmetic dimensions (unit mm)

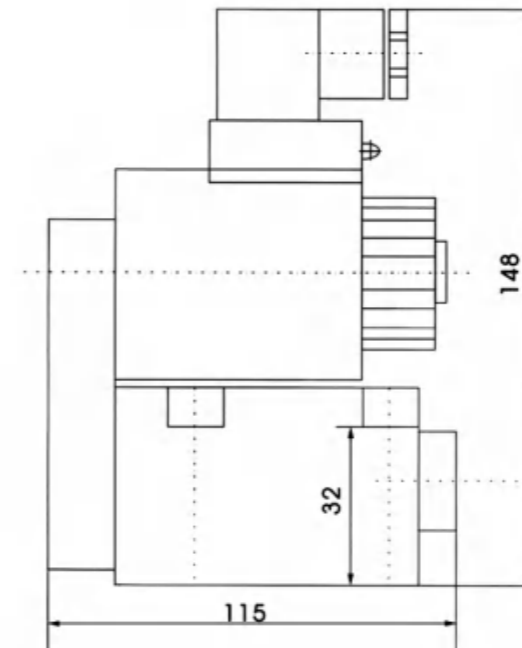


图1

b). 安装底板尺寸(符合ISO4401-AB-05-4-A)  
Installation bottom board dimensions (conforming to DIN24340-A8)

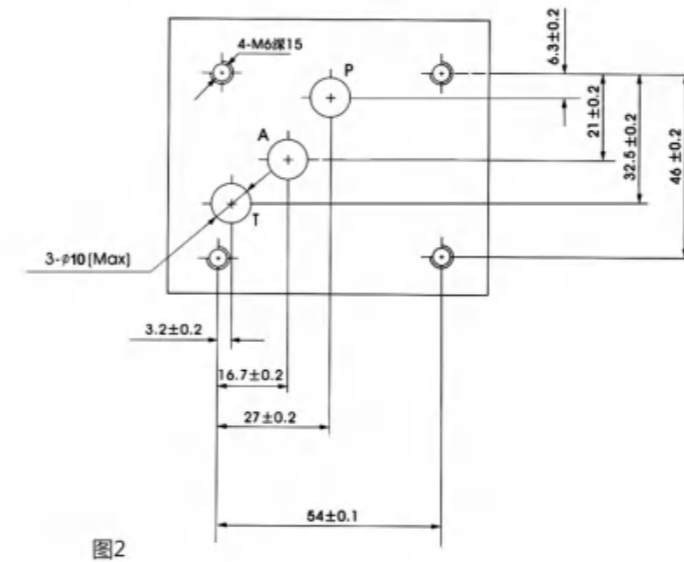


图2

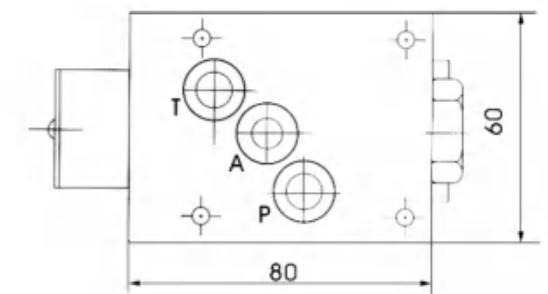


图3



本产品已获国家新型实用专利

This product has obtained a China National Practical New-Type Patent

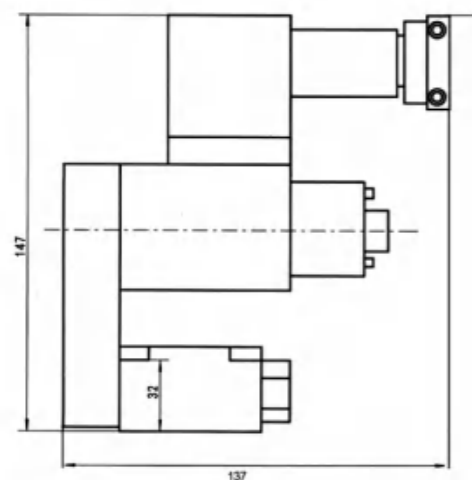
■ 订货示例/Ordering Code



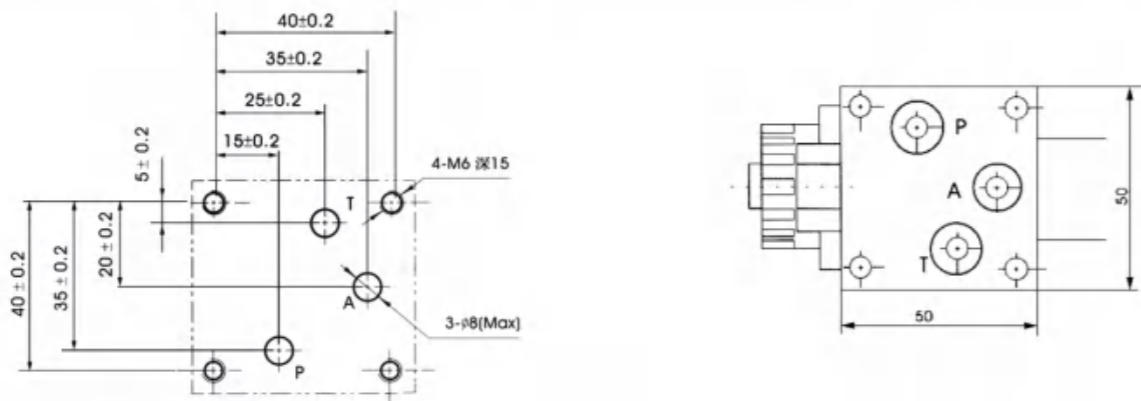
具体订购码参照第73页

5.FB6二位三通 / Two-position Three-way : \*23QDF-6 / 31.5\*

a).外型尺寸 / Cosmetic Dimensions



b).安装底板尺寸(符合DIN24340-A8)Installation bottom board dimensions ((conforming to DIN24340-A8))



矿用隔爆型球式电磁换向阀可同时提供下列型号产品

Mining anti-explosion type ball electromagnetic selector has the following types :

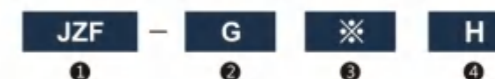
Fb二位三通 / two-position three-way FB23QDF6 / 31.5

Fb二位三通 / two-position three-way FB23QDF6-4 / 31.5

Fb二位三通 / two-position three-way FB23QDF10 / 31.5



■ 订货示例/Ordering Code

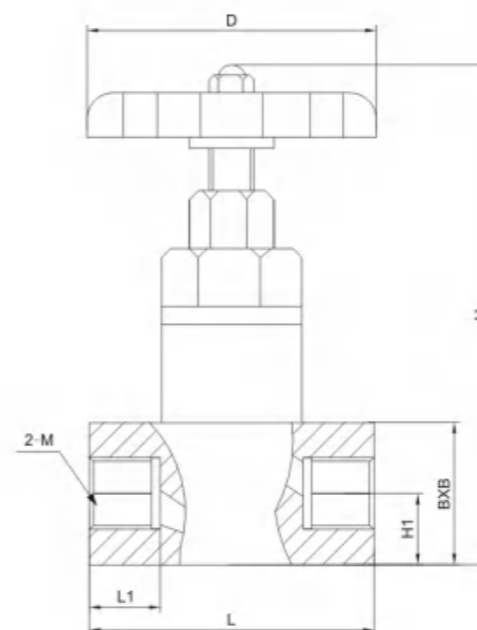


- ① 型号 Model
- ② 连接螺纹 The Connection Thread : G, Z, M
- ③ 公称直径 The Nominal Diameter
- ④ 压力等级 Pressure Rating : 70MPa

■ 功能符号/GraPhic Symbol



■ 外形尺寸/Cosmetic dimensions



型号 / Type	L	L1	BXB	2-M	H	H1	D
JZF-G-05H	50	14	30x30	14x1.5	98	15	66
JZF-G-06H	50	16	32x32	16x1.5	113	16	66





■ 订货示例/Ordering Code

JZF - S ※ ※ ※

- ① 名称代号 Name code :  
JZF--截止阀 Stop Valve
- ② 控制方法 Control method :  
S--手动 Manual
- ③ 公称压力 Nominal pressure :  
J31.5MPa H21MPa
- ④ 公称口径 Nominal diameter
- ⑤ 连接形式(具体见右表)  
Connecting methods (see the left table)

■ 产品简介/Production Overview

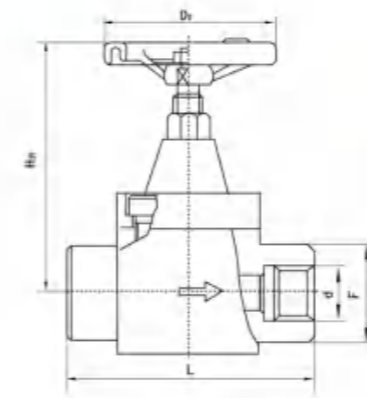
JZFS系列高压截止阀主要用于液压管路中控制油液的流通和截止，其阀芯为液压平衡式。具有开启力小操作方便等特点(可代替LF型作节流阀用)。

JZFS series high pressure stop valve is used to control hydraulic fluid flow and stopping in the hydraulic pipe. The valve core is hydraulic balance type. It has the advantages of small operating force and convenient operations. (It may replace LF type as regulation valve)

■ 技术规格/Technical specifications

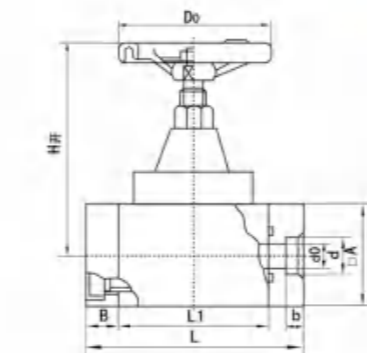
型号 Type	连接方式 Connecting methods	代号 Code	型号 Type	连接方式 / Connecting methods	代号 Code
板式 Disc	仿日水平板式 / Japanese model horizontal disc	B	螺旋式 Spiral type	直通圆锥管螺纹 / Straight through cone pipe thread	LTZ
	垂直板式 / Vertical disc	B I		直角普通螺纹 / Right angle common thread	LJM
	水平板式 / Horizontal disc	B II		直角圆柱管螺纹 / Right angle column pipe thread	LJG
法兰 板式 Flange disc	板式法兰 / Disc flange	BF	法兰式 Flange type	直角圆锥管螺纹 / Right angle cone pipe thread	LJZ
	板式法兰 I 型 / Disc flange I type	BF I		焊接法兰 / Welding flange	FH
	法兰板式 / Flange disc	FB		直角焊接法兰 / Right angle welding flange	FJ
螺式 Spiral type	法兰板式 I 型 / Flange disc I type	FB I	普通螺纹方法兰 / Common thread square flange	普通螺纹方法兰 / Common thread square flange	FM
	直通普通螺纹 / Straight through common thread	LTM		圆锥管螺纹方法兰 / Cone pipe thread square flange	FZ
	直通圆柱管螺纹 / Straight through column pipe thread	LTC		圆柱管螺纹方法兰 / Column pipe thread square flange	FG

■ 外形尺寸/Cosmetic dimensions



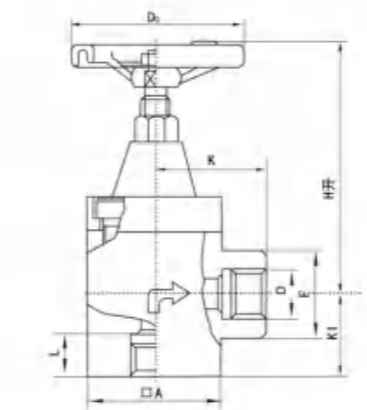
JZFS直通式内螺纹截止阀 / JZFS straight through internal thread stop valve

型号 / Type		D			L	F	H开	D0
LTM	LTG	LTZ	LTM	LTG	LTZ			
JZFS-J10LTM	JZFS-J10LTG	JZFS-J10LTZ	M18x1.5	3/8"	80	36	122	80
JZFS-J15LTM	JZFS-J15LTG	JZFS-J15LTZ	M22x1.5	1/2"	100	40	130	80
JZFS-J20LTM	JZFS-J20LTG	JZFS-J20LTZ	M27x2	3/4"	115	50	158	100
JZFS-J25LTM	JZFS-J25LTG	JZFS-J25LTZ	M33x2	1"	135	58	178	140
JZFS-J32LTM	JZFS-J32LTG	JZFS-J32LTZ	M42x2	1 1/4"	145	68	202	140
JZFS-J40LTM	JZFS-J40LTG	JZFS-J40LTZ	M48x2	1 1/2"	155	76	226	160
JZFS-J50LTM	JZFS-J50LTG	JZFS-J50LTZ	M64x2	2"	190	90	250	160



JZFS焊接法兰式截止阀 / JZFS welding flange type stop valve

型号 / Type	L	L1	B	b	d	d0	H开	D0	A
JZFS-J10FH	110	70	20	9	18.5	12	122	Φ80	50x50
JZFS-J15FH	120	80	20	11	22.5	15	130	Φ80	55x55
JZFS-J20FH	130	86	22	12	28.5	18	158	Φ100	62x62
JZFS-J25FH	160	110	25	14	35	24	178	Φ140	71x71
JZFS-J32FH	180	124	28	16	43	30	202	Φ140	82x82
JZFS-H40FH	200	140	30	16	52	38	226	Φ160	90x90
JZFS-H50FH	214	150	32	18	65.5	48	250	Φ180	100x100
JZFS-H65FH	260	180	40	22	78	60	275	Φ220	130x130
JZFS-H80FH	330	240	45	25	91	70	312	Φ280	150x150
JZFS-H100FH	350	250	50	25	114	90	360	Φ280	175x175

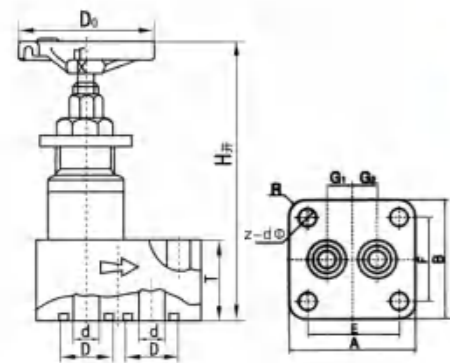


JZFS直角式内螺纹截止阀 / JZFS right angle internal thread stop valve

型号 / Type		D		重量 weight (Kg)
型号 / Type	型号 / Type	LJM	LJG	
JZFS-J10LJM	JZFS-J10LJG	M18x1.5	3/8"	1.8
JZFS-J15LJM	JZFS-J15LJG	M22x1.5	1/2"	2.9
JZFS-J20LJM	JZFS-J20LJG	M27x2	3/4"	3.8
JZFS-J25LJM	JZFS-J25LJG	M33x2	1"	5.7
JZFS-J32LJM	JZFS-J32LJG	M42x2	1 1/4"	7.1
JZFS-H40LJM	JZFS-H40LJG	M48x2	1 1/2"	9.8

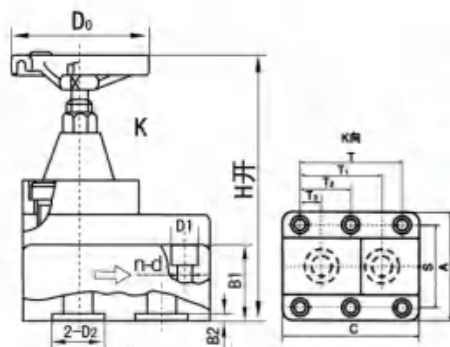
国际标准化组织  
SAE标准  
板式高压球阀  
高压球阀  
球式电磁截止阀  
油缸检测模块  
售后服务及附件

■ 外形尺寸/Cosmetic dimensions



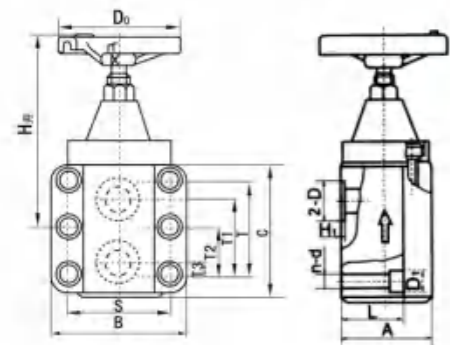
JZFS仿日水平板式截止阀(原JZF-B型)  
JZFS Japanese model disc type stop valve (original JZF-B type)

型号 / Type	d	D	T	A	B	E	F	H开	D0	G1	G2	Z-dΦ	螺栓 bolt	R	重量 Weight (Kg)
JZFS-B8	8	20	30	65	65	47	47	140	80	12	12	4-9	M8x50	8	2.1
JZFS-B10	9	22	30	85	70	65	50	140	80	14	14	4-9	M8x50	10	2.3
JZFS-B20	16	35	45	113	97	81	65	198	120	23	23	4-17.5	M16x60	16	5.5
JZFS-B32	30	45	65	127	127	92	92	275	140	25.4	25.4	4-21.5	M20x100	17.5	9.2
JZFS-B50	48	65	82	180	160	120	120	347	180	40	40	4-21.5	M20x120	20	23.6



JZFS仿日水平板式截止阀(原JZF-B型)  
JZFS Japanese model horizontal disc type stop valve (original JZF-B type)

型号 / Type	A	B1	B2	C	D0	D1	n-d	D2	S	T	T1	T2	T3	H	重量 Weight (Kg)
JZFS-J10BII	90	30	1.8	77	100	17	6-11	22	66.7	42.9	35.7	/	7.1	158	2.8
JZFS-J20BII	105	36	2.4	100	120	17	6-11	32	79.4	60.3	49.2	/	11.1	182	6.2
JZFS-J32BII	120	45	2.4	122	140	17	6-11	40	96.8	84.1	67.5	42.1	16.7	204	8.8

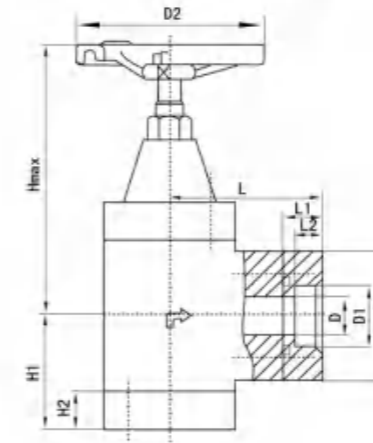


JZFS垂直板式截止阀  
JZFS vertical disc type stop valve

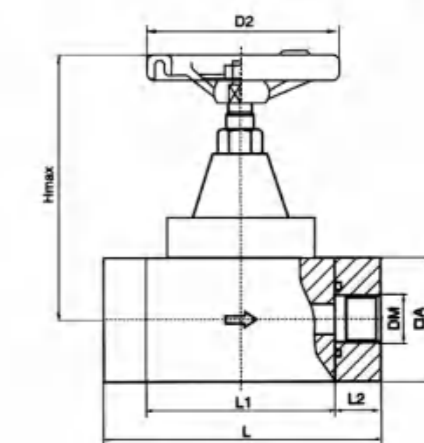
型号 / Type	A	B	C	D	D0	D1	n-d	L	H开	H1	T	T1	T2	T3	S	重量 Weight (Kg)
JZFS-J10B I	65	90	86	22	100	17	6-11	40	170	18	42.9	35.7	/	7.1	66.7	3.8
JZFS-J20B I	72	105	103	32	120	17	6-11	48	190	24	60.3	49.2	/	11.1	79.4	6.3
JZFS-J32B I	82	120	120	40	140	17	6-11	55	215	24	84.1	67.5	42.1	16.7	96.8	9.5

■ 外形尺寸/Cosmetic dimensions

JZFS系列焊接式直角法兰截止阀  
JZFS series welding type right angle flange stop valve



JZFS系列内螺纹法兰式截止阀  
JZFS series internal thread flange type stop valve



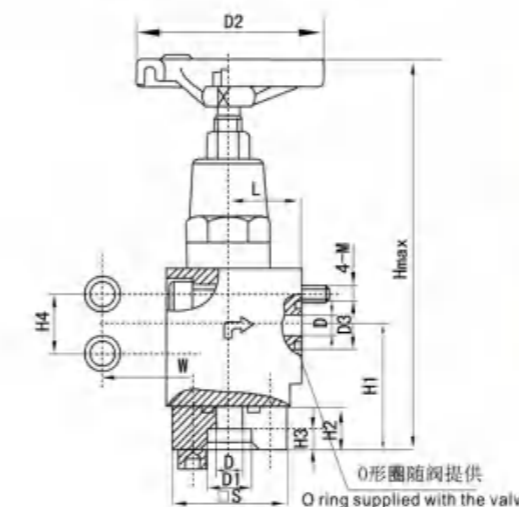
JZFS系列焊接式直角法兰截止阀 / JZFS series flange disc type stop valve

型号 Type	Dn (mm)	基本尺寸 / Basic dimensions (mm)										重量 / weight (kg)
		L	L1	L2	H	H1	H2	D	D1	D2	□S	
JZFS-J10FJ	10	54	20	9	122	54	20	10	18.5	72	50x50	2.8
JZFS-J20FJ	20	65	22	12	178	65	22	18	28.5	125	62x62	5.6
JZFS-J32FJ	32	85	28	16	206	80	28	30	43	160	80x80	10.7

JZFS系列内螺纹法兰式截止阀 / JZFS series right range flange disc type stop valve

型号 / Type			Dn (mm)	基本尺寸 / Basic dimensions (mm)								重量 weight (kg)
FM	FG	FZ		L	L1	L2	H	D2	FM	FG	FZ	
JZFS-J10FM	JZFS-J10FG	JZFS-J10FZ	10	114	70	22	122	72	M18x1.5	G3/8	3.2	
JZFS-J15FM	JZFS-J15FG	JZFS-J15FZ	15	124	80	22	130	72	M22x1.5	G1/2	4.1	
JZFS-J20FM	JZFS-J20FG	JZFS-J20FZ	20	134	86	24	158	125	M27x2	G3/4	6.3	
JZFS-J25FM	JZFS-J25FG	JZFS-J25FZ	25	166	110	28	178	125	M33x2	G1	9.7	
JZFS-J32FM	JZFS-J32FG	JZFS-J32FZ	32	180	124	28	202	160	M42x2	G1 1/4	3.3	
JZFS-J40FM	JZFS-J40FG	JZFS-J40FZ	40	212	140	36	226	200	M48x2	G1 1/2	8.2	

■ JZFS系列法兰板式截止阀 / JZFS series flange disc type stop valve

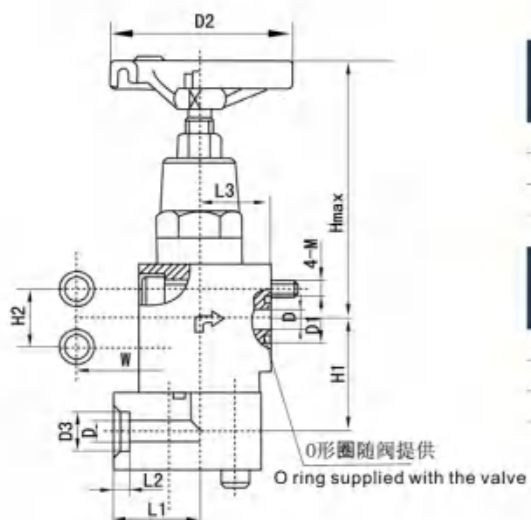


JZFS系列法兰板式截止阀  
JZFS series flange disc type stop valve

型号 Type	Dn (mm)	基本尺寸 / Basic dimensions (mm)						
		L	W	H	H1	H2	H3	H4
JZFS-J10FB	10	32	50	176	54	20	20	20
JZFS-J20FB	20	45	65	225	67	22	35	35
JZFS-J32FB	32	60	85	281	92	28	42	42

型号 Type	基本尺寸 / Basic dimensions (mm)						重量 weight (kg)
	D	D1	D2	D3	4-M	□S	
JZFS-J10FB	10	18.5	72	22	8	50x50	2.5
JZFS-J20FB	18	28.5	125	35	12	65x65	7.5
JZFS-J32FB	30	43	160	45	16	85x85	12.2

■ 外形尺寸/Cosmetic dimensions

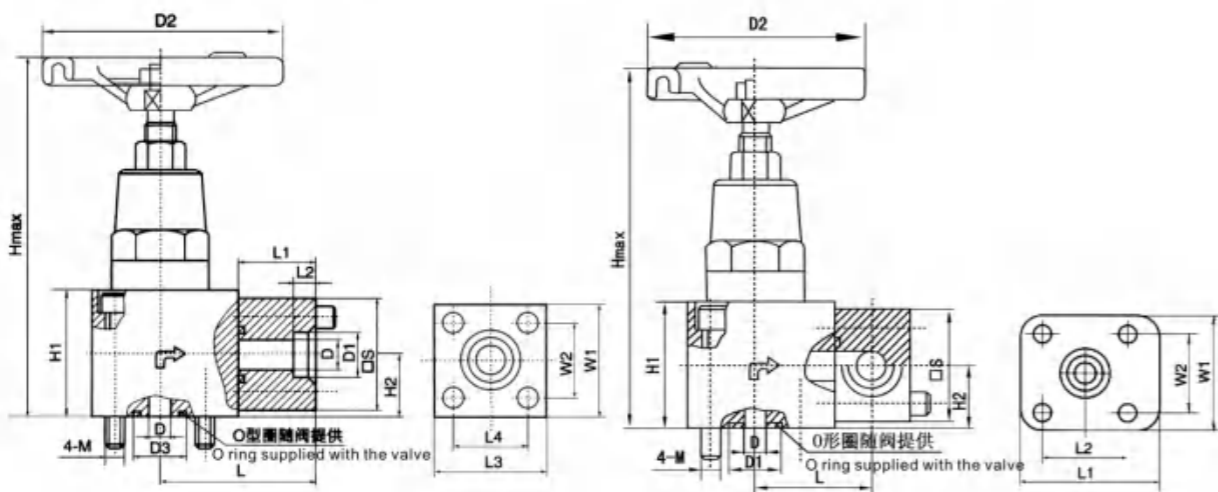


型号 Type	Dn (mm)	基本尺寸 / Basic dimensions (mm)					
		L1	L2	L3	W	H	H1
JZFS-J10FB I	10	30	9	32	50	176	54
JZFS-J20FB I	20	42	12	45	65	225	67
JZFS-J32FB I	32	55	16	60	85	281	92

型号 Type	基本尺寸 / Basic dimensions (mm)						重量 weight (kg)
	H2	D	D1	D2	D3	4-M	
JZFS-J10FB I	20	10	22	72	18.5	8	2.7
JZFS-J20FB I	35	18	35	125	28.5	12	7.8
JZFS-J32FB I	42	30	43	160	43	16	12.5

JZFS系列板式法兰截止阀  
JZFS series disc type flange stop valve

JZFS系列板式直角法兰截止阀  
JZFS series disc type flange I stop valve



JZFS系列板式法兰截止阀 / JZFS series disc type flange stop valve

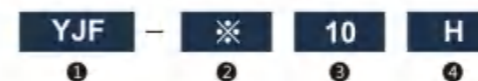
型号/Type	Dn (mm)	基本尺寸 / Basic dimensions (mm)															重量 weight (kg)	
		L	L1	L2	L3	L4	W1	W2	H	H1	H2	D	D1	D2	D3	M		□S
JZFS-J10BF	10	64	20	9	64	48	60	42	154	55	30	10	18.5	72	22	8	50x50	2.7
JZFS-J20BF	20	80	22	12	80	56	80	56	205	76	43	18	28.5	125	35	12	65x65	5.9
JZFS-J32BF	32	110	28	16	105	73	105	73	246	100	56	30	43	160	45	16	85x85	12.8

JZFS系列板式直角法兰截止阀 / JZFS series disc type flange I stop valve

型号/Type	Dn (mm)	基本尺寸 / Basic dimensions (mm)													重量 weight (kg)
		L	L1	L2	W1	W2	H	H1	H2	D	D1	D2	M	□S	
JZFS-J10BFI	10	64	64	48	60	42	154	55	30	10	22	72	8	50x50	2.7
JZFS-J20BFI	20	80	64	56	80	56	205	76	43	18	35	125	12	65x65	5.9
JZFS-J32BFI	32	110	105	73	105	73	246	100	56	30	45	160	16	85x85	12.8



■ 订货示例/Ordering Code



① 名称代号 Name code :

YJF 高压截止阀 / YJF high pressure stop valve

② 连接形式 Connecting methods :

L--管式连接 / L pipe connection  
F--焊接法兰连接 / F welding flange connection  
B--板式连接 / B disc connection

③ 公称通径 Nominal diameter :

3、6、8、10、15、20、25、32、40、50mm

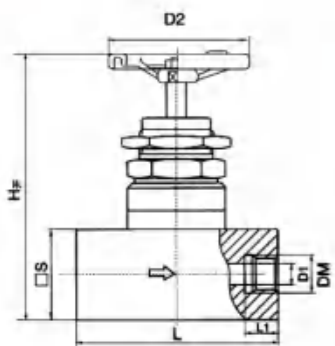
④ 公称压力 Nominal pressure : 31.5MPa

■ 产品简介/Production Overview

YJF系列液压截止阀是专为液压系统设计制造的，其阀芯为液压平衡式，开启力小，密封可靠，体积小，本产品有管式、法兰式、板式等连接形式，广泛使用于液压系统管路，集成油路，可代替HIROSEVAL VEIND USTRYCLTD等公司液压用截止阀。

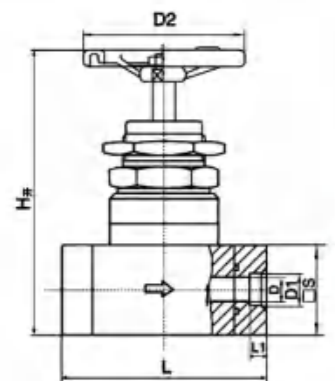
YJF series hydraulic stop valve is specially designed for hydraulic system. The valve core is hydraulic balance type with small opening force, good and reliable sealing, and small size. The product has pipe, flange, and disc connections. It can be applied in pipelines for hydraulic system, integrated oil circuit. It may replace hydraulic stop valve manufactured by HIROSEVAL VEND USTRYCLTD.

■ 外形尺寸/Cosmetic dimensions



YJF系列(内)螺纹连接式YJF-L3H~L32H  
YJF series (internal) thread connecting methods

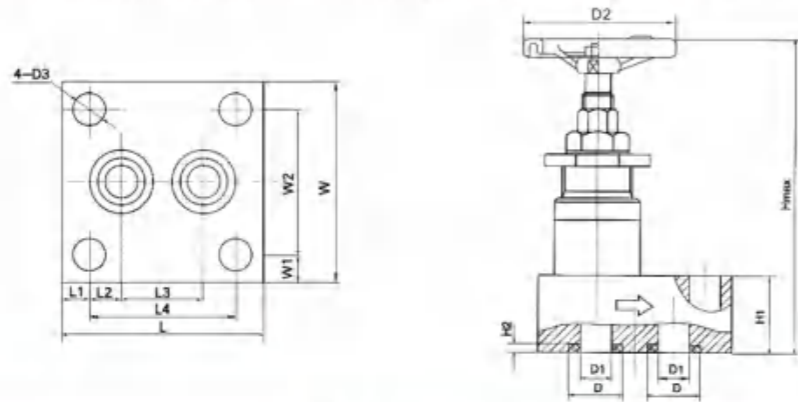
型号 Type	Dn (mm)	基本尺寸 / Basic dimensions (mm)							重量 weight (kg)
		L	L1	H	D1	D2	□S	DM	
YJF-L3H	3	50	12	103	3	52	24	M10x1	0.3
YJF-L6H	6	80	12	148	6	52	32	M12x1.5	1
YJF-L8H	8	90	14	155	8	72	40	M14x1.5	1.5
YJF-L10H	10	90	16	158	10	72	42	M18x1.5	2
YJF-L15H	15	90	18	161	15	72	42	M22x1.5	2.5
YJF-L20H	20	120	20	189	20	125	55	M27x2	4
YJF-L25H	25	135	22	208	24	125	60	M33x2	6.5
YJF-L32H	32	150	24	228	30	160	70	M42x2	11



YJF系列焊接法兰连接式YJF-F10H~F50H  
YJF series welding flange type connecting methods

型号 Type	Dn (mm)	基本尺寸 / Basic dimensions (mm)							重量 weight (kg)
		L	L1	H	D	D1	D2	□S	
YJF-F10H	10	120	9	158	10	18.5	72	50	3.5
YJF-F15H	15	132	11	161	15	22.5	72	54	3.6
YJF-F20H	20	140	12	189	20	28.5	125	58	4.2
YJF-F25H	25	185	14	208	24	35	125	68	8.9
YJF-F32H	32	204	16	228	30	43	160	76	11.8
YJF-F40H	40	230	18	242	38	52	200	92	12.8
YJF-F50H	50	245	20	264	48	65	200	100	15.5

YJF系列板式连接式YJF-B8H~B50H / YJF series disc type connecting methods



型号 Type	Dn (mm)	基本尺寸 / Basic dimensions (mm)														重量(kg) weight	
		L	L1	L2	L3	L4	H	H1	H2	W	W1	W2	D	D1	D2		4-D3
YJF-B8H	8	65	9	11.5	24	47	135	30	1.97	65	9	47	16	8	72	9	2.1
YJF-B10H	10	85	10	18.5	28	65	140	30	1.97	70	10	50	20	10	72	11	2.3
YJF-B15H	15	99	17	21.5	36	65	145	40	1.97	82	13.5	55	25	15	72	13	2.9
YJF-B20H	20	113	16	22.5	46	81	165	45	2.75	97	16	65	30	20	125	17	5.5
YJF-B25H	25	120	17.5	24	48	85	180	55	2.75	112	13.5	85	35	24	125	17	6.5
YJF-B32H	32	127	17.5	20.4	50.8	92	205	65	2.75	127	17.5	92	40	30	160	21	9.2
YJF-B40H	40	160	25	20	70	110	235	75	2.75	150	20	110	50	38	200	21	18.5
YJF-B50H	50	180	30	20	80	120	245	85	2.75	160	20	120	60	48	200	21	23.6

注：此阀O型密封圈采用GB3452.1-92标准。 NOTE: The O ring of the valve adopts GB3452.1-92 standards.  
本公司保留设计更改权，对修改不另行通知。 The company keeps the rights for modification and will not make any notice.

■ 订货示例/Ordering Code

STU - G 1 - L - 1 1 1 1 - 1  
① ② ③ ④ ⑤ ⑥ ⑦ ⑧ ⑨



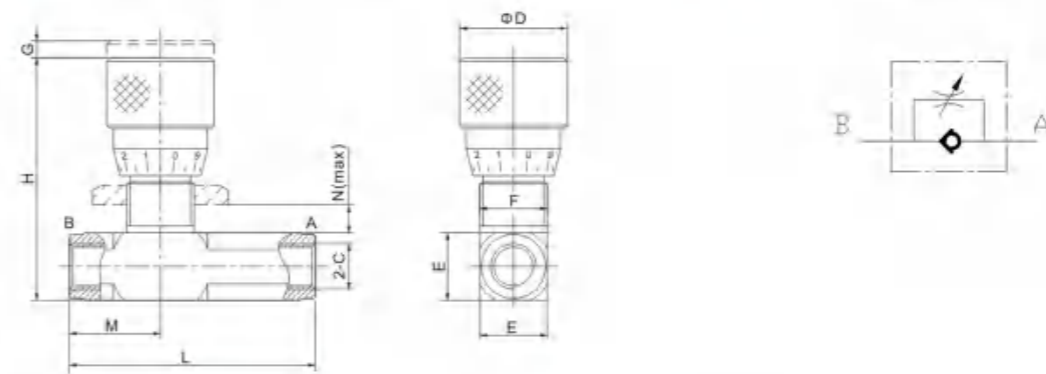
- ① 系列代号：STU系列单向节流阀 / Series Code: STU throttle Check Valve
- ② 螺纹代号：G螺纹、NPT螺纹/Thread Code: G、NPT
- ③ 螺纹大小 Nominal Dimeter：1/4、3/8、1/2、3/4、1
- ④ 定位结构：L-带压紧螺母、空白-不带压紧螺母  
Structure:L-with impacted nut blank-without impacted nut
- ⑤ 阀体材料：1-碳钢 / Valve body material:1-carbon steel
- ⑥ 阀杆材料：1-碳钢 / Stem material:1-carbon steel
- ⑦ 阀芯材料：1-40Cr / Valve core material:1-40Cr
- ⑧ 弹簧材料：1-SWP-B / Spring material: 1-SWP-B
- ⑨ 阀体表面处理：1-蓝白三价铬 / Surface Treatment:1-SILVER ZINC PLATED

■ 技术参数/Technical parameter

型号 / Type	STU-G1/4-1111-1	STU-G3/8-1111-1	STU-G1/2-1111-1	STU-G3/4-1111-1	STU-G1-1111-1
最高压力 Mpa	40	40	40	40	32
最大流量 L/min	12	30	50	85	150
适用介质 Applicable Medium	液压油 Hydraulic Oil				

■ 外形尺寸/Cosmetic dimensions

■ 图形符号/GraPhic Symbol



型号 / Type	C	L	H	D	E	F*	G	M	N	
STU-G1/4-1111-1	G1/4	NPT1/4	73	72	32	20	M20x1	5	27	7
STU-G3/8-1111-1	G3/8	NPT3/8	82	80	32	25	M25x1.5	9	31	7
STU-G1/2-1111-1	G1/2	NPT1/2	98	92	45	30	M30x1.5	9	36.5	9
STU-G3/4-1111-1	G3/4	NPT3/4	112	100	45	40	M35x1.5	10	42	11
STU-G1-1111-1	G1	NPT1	142	122	45	50	M40x1.5	12	51	15

球式电磁阀  
油缸检测回路  
高压球阀  
SAE锥形螺母  
同形新标准螺母  
同形新标准螺母

# 油缸控制阀块

## ■ 订货示例/Ordering Code

**STB - G 1 - L - 1 1 - 1**  
① ② ③ ④ ⑤ ⑥ ⑦

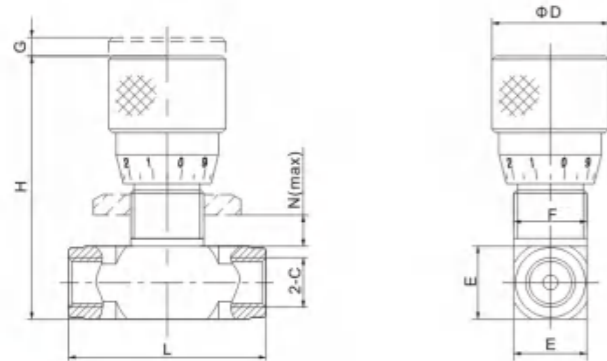
- ① 系列代号：STB系列节流阀 / Series Code: STB throttle valve
- ② 螺纹代号：G螺纹、NPT螺纹/Thread Code: G、NPT
- ③ 螺纹大小 Nominal Dimeter：1/4、3/8、1/2、3/4、1
- ④ 定位结构：L-带压紧螺母、空白-不带压紧螺母  
Structure:L-with impacted nut blank-without impacted nut
- ⑤ 阀体材料：1-碳钢 / Valve body material:1-carbon steel
- ⑥ 阀杆材料：1-碳钢 / Stem material:1-carbon steel
- ⑦ 阀体表面处理：1-蓝白三价铬



## ■ 技术参数/Technical parameter

型号 / Type	STB-G1/4-11-1	STB-G3/8-11-1	STB-G1/2-11-1	STB-G3/4-11-1	STB-G1-11-1
最高压力 Mpa	40	40	40	40	32
最大流量 L/min	12	30	50	85	150
适用介质 Applicable Medium	液压油 Hydraulic Oil				

## ■ 外形尺寸/Cosmetic dimensions



## ■ 图形符号/GraPhic Symbol



型号 / Type	C	L	H	D	E	F*	G	N
STB-G1/4-11-1	G1/4 NPT1/4	54	72	32	20	M20×1	5	7
STB-G3/8-11-1	G3/8 NPT3/8	62	80	32	25	M25×1.5	9	7
STBU-G1/2-11-1	G1/2 NPT1/2	73	92	45	30	M30×1.5	9	9
STB-G3/4-11-1	G3/4 NPT3/4	84	100	45	40	M35×1.5	10	11
STB-G1-11-1	G1 NPT1	102	122	45	50	M40×1.5	12	15





■ 产品简介/Production Overview

液控补偿调压阀是一种液控、补偿、溢流集几种功能于一体的组合阀。

液控节流调节阀是一种节流、液控、溢流调压功能的组合阀。

以上二种阀具有结构紧凑、体积小、重量轻、安全方便、操作简单，可以防止系统过载而损坏其他元件，同时可以提高油缸使用寿命和安全可靠。

液控、补偿调压及节流调压阀可用于小方坯及板坯连铸机的压下及紧油缸装置中。

Hydraulic control compensation regulator valve is a composite valve integrated with hydraulic, compensation and overflow functions.

Hydraulic flow regulator valve is a composite valve of flow, hydraulic control, and overflow regulating functions. The above two types of valve have the advantages of compact structure, small size, light weight, safety and convenience, and simple operations.

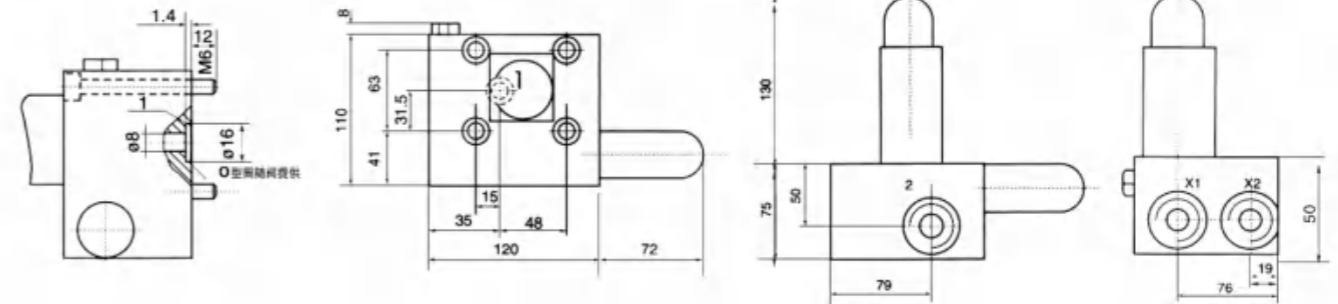
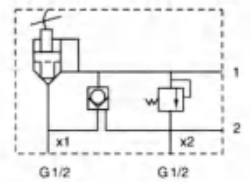
It may be used to avoid overflow, damaging the components. At the same time, it may upgrade cylinder performance life and safety reliability.

Hydraulic control, compensation pressure regulation, and flow regulation valve may be used square continuous caster and cylinder.

■ 订货示例/Ordering Code

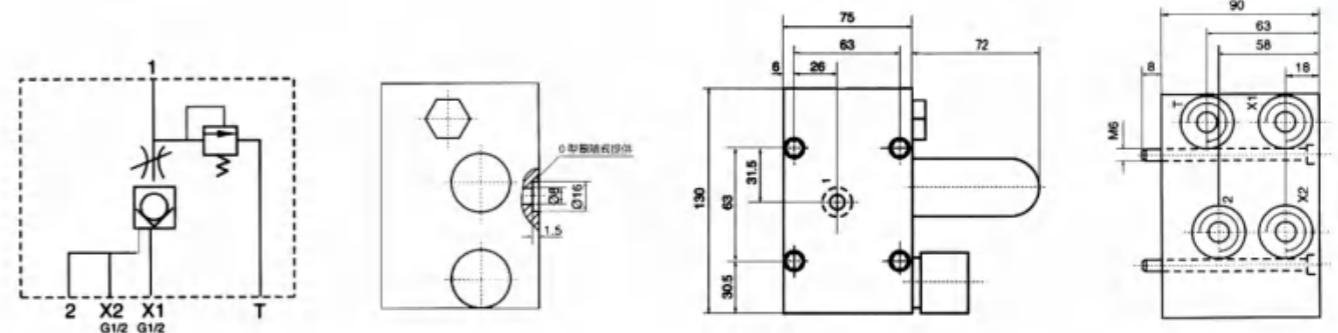
(一) **BDF** **L** - **6** **\*** **B** (原代号AGI7604)  
(Original code AGL7604)

- ① 名称代号 / Name code : BDF补偿调压阀 / BDF compensation regulation valve
- ② 连接方式 / Connecting methods : L螺纹连接 / L thread connection
- ③ 公称通径 / Nominal diameter : 6mm
- ④ 压力等级 / Pressure grade : A2-10MPa B8-21MPa C16-32MPa
- ⑤ 安装方式 / Installation methods : B-板式 / type



(二) **JDF** **L** - **6** **\*** **B** (原代号AGI7603)  
(Original code AGL7603)

- ① 名称代号 / Name code : JDF 节流调压阀 / JDF flow regulation valve
- ② 连接方式 / Connecting methods : L螺纹连接 / L thread connection
- ③ 公称通径 / Nominal diameter : 6mm
- ④ 压力等级 / Pressure grade : A2-10MPa B8-21MPa C16-32MPa
- ⑤ 安装方式 / Installation methods : B-板式 / type

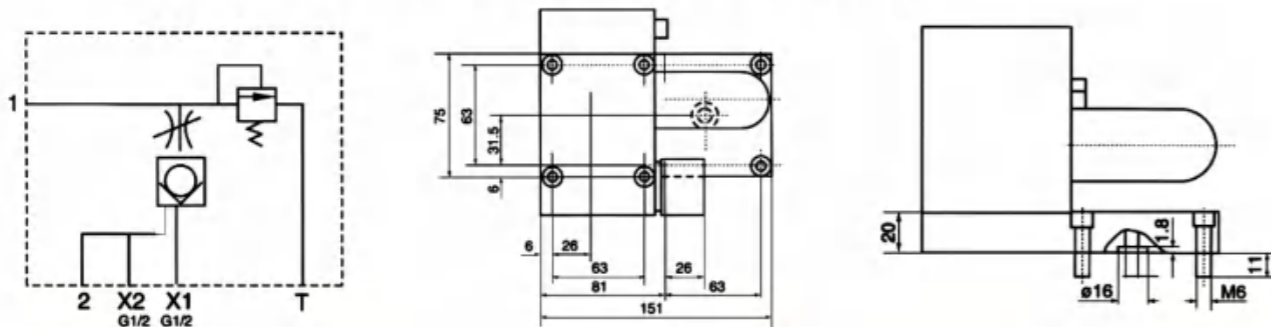


蓄能器及附件  
油缸控制阀块  
高压球阀  
板式高压球阀  
SAE标准球阀  
国际标准高压球阀

(三)JBF-6-B(原代号AGL7605/Original code AGL7605)

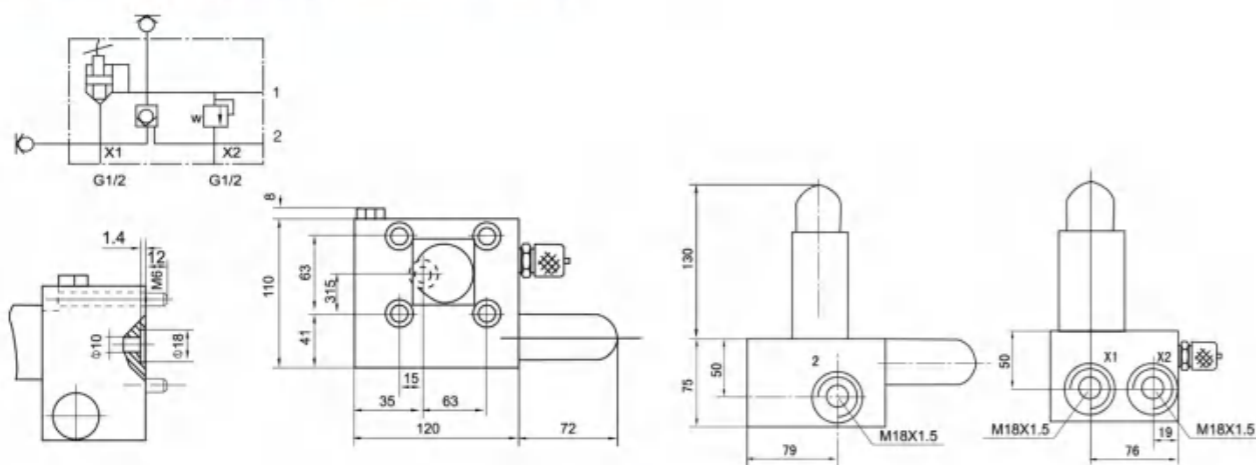
注：其功能与AGL7603相同，由于增加连接块结成AGL 7605

NOTE: the function is the same with AG17603, more connecting blocks make Ag17605)

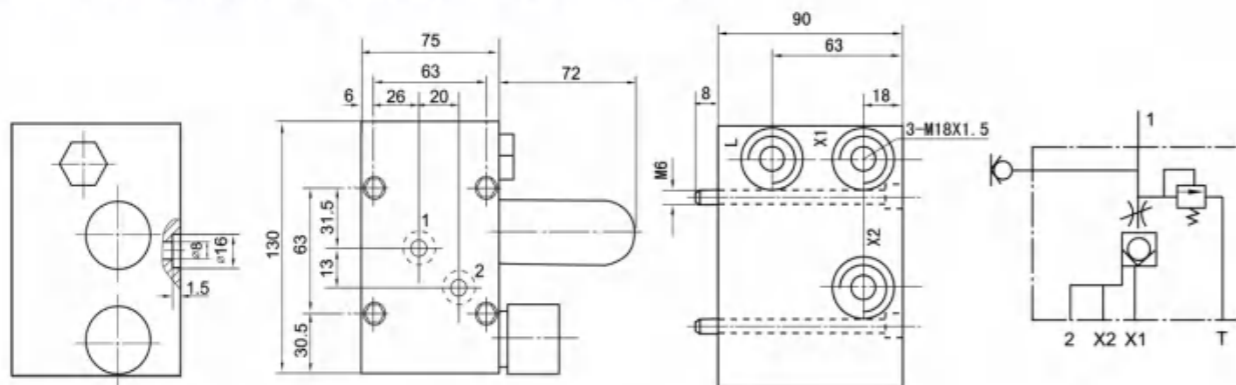


型号 Type	公称压力 nominal pressure MPa	公称通径 nominal diameter	调节范围 regulation range MPa	流量补偿 Flow Compensation Valve		液压阀 hydraulic valve L/min	连接尺寸 Connecting dimensions		重量 weight
				调节范围(MPa) regulation range	通径 diameter		M	G	
BDF-L-6	20	Φ6	4-20	12	8	4	M22×1.5	G1/2	6.2
JDF-L-6	31.5	Φ6	2-31.5	/	/	4	M22×1.5	G1/2	6.2

(一)BDF-L 6×BA(原代号/Original code AGL7604)



(二)JDF-L 6×BA(原代号AGL7603/Original code AGL7603)

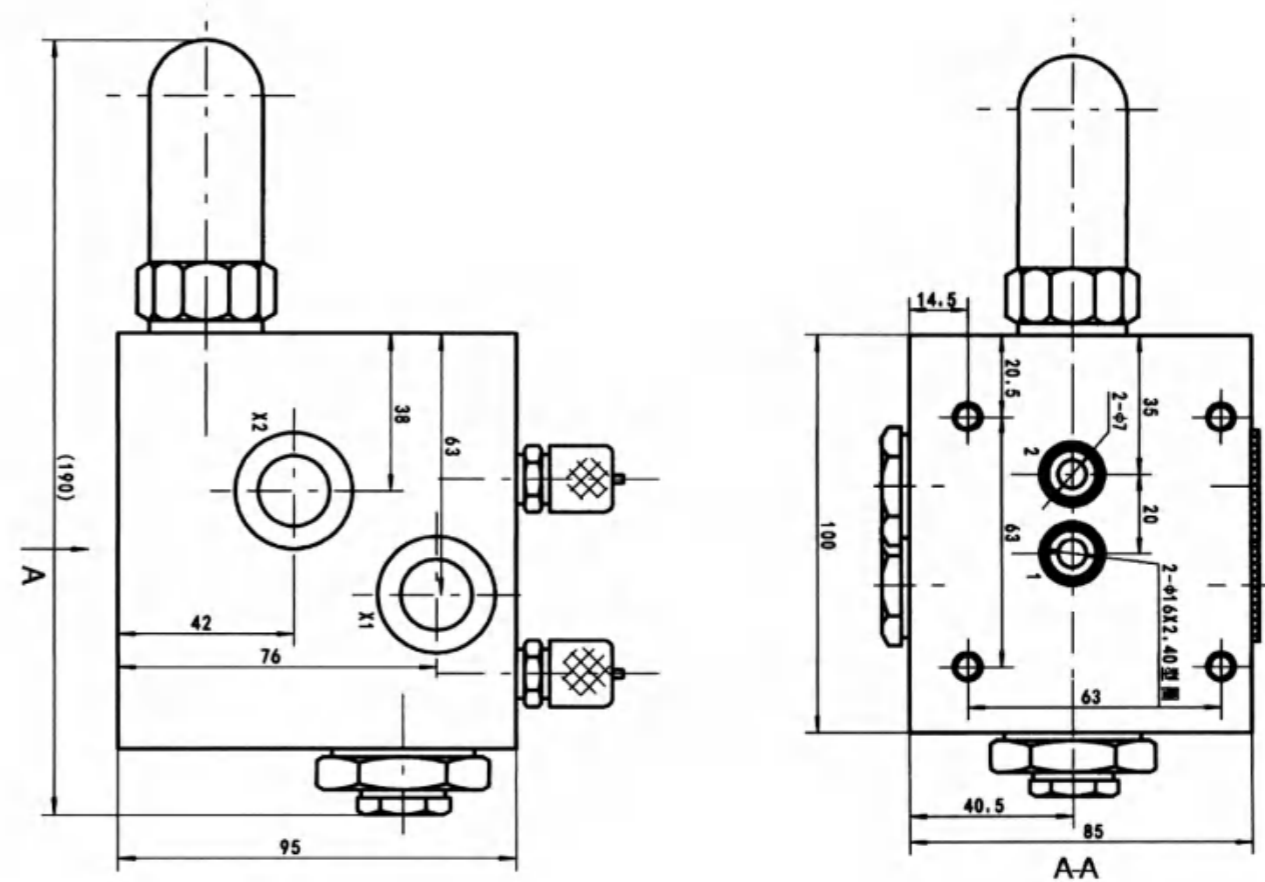
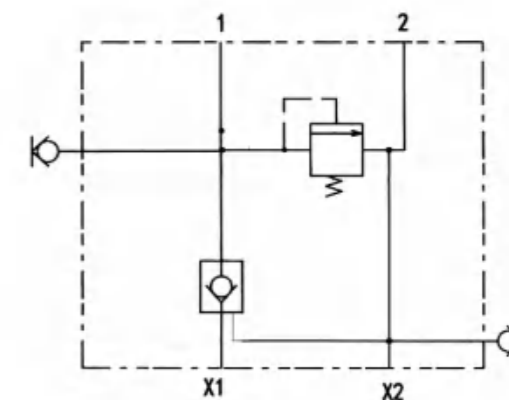


注：其功能与AGI7603/AGI7604相同，注意连接尺寸。

NOTE: the function is the same with AG17604, more connecting blocks make Ag17605)

■ 订货示例/Ordering Code

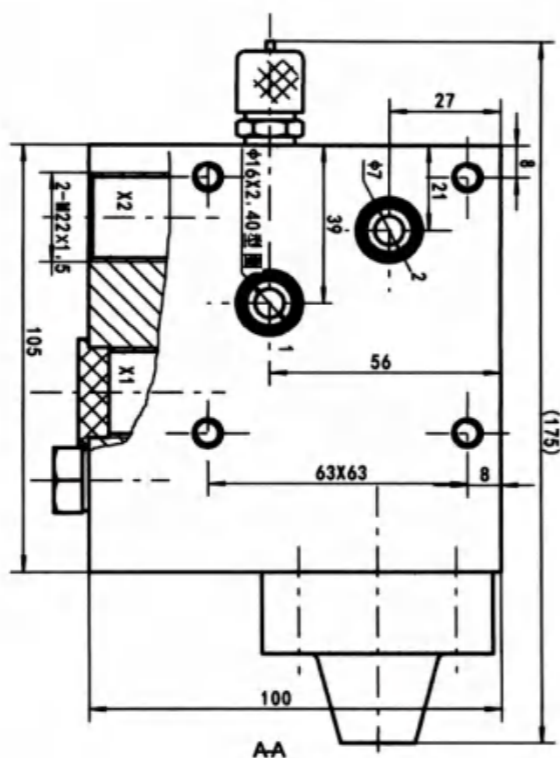
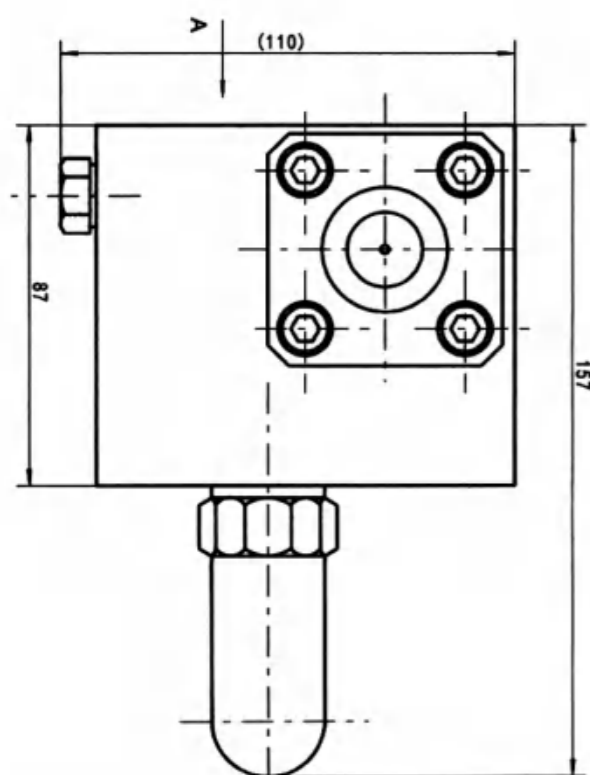
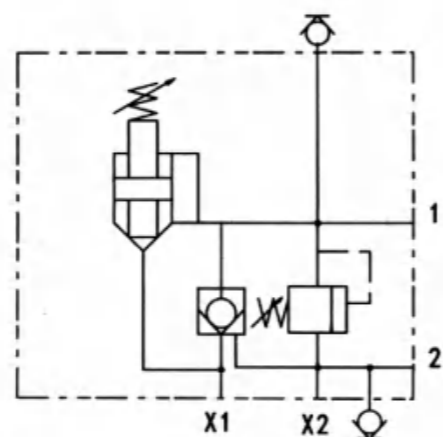
JAF-L6-B-TX



蓄能器及附件  
油缸控制阀块  
高压截止阀  
球式电磁阀  
高压球阀  
板式高压球阀  
SAE球阀总成  
国际标准减压球阀  
蓄能器及附件

■ 订货示例/Ordering Code

AYF-L10-B-TX



注：本公司专业设计和制造各类油缸专用阀组。  
NOTE: The company is specialized in design and manufacture of various valve sets for cylinders.



■ 订货示例/Ordering Code

**DBD S 6 K 10 / 10 / 2 / V**

① ② ③ ④ ⑤ ⑥ ⑦ ⑧

- ① 型号 Type :  
直动式 Directly Moving Type
- ② S=带保护罩的调节螺栓 / S= adjusting bolt with protection shell  
H=调节手柄 / H=adjusting handle  
A=带锁的调节手柄(只用于直径6 ; 8 ; 10) / A=adjusting handle with lock (only applicable for diameter 6, 8, 10)
- ③ 通径 Diameter :  
6(8)10(15)20(25)30
- ④ K=插入式 ; G=管式 ; P=板式 / K=plug-in type; G= pipe type, P= disc type
- ⑤ 系列号  
10系列(压力等级及2.5~40Mpa) / series No. 10 series (pressure to grade 2.5~40)  
系列号11系列(压力等级及63Mpa) / series No. 11 series (pressure to grade 63Mpa)
- ⑥ 压力等级及 Pressure to :  
2.5 ; 5 ; 10 ; 20 ; 31.5 ; 40 ; 63
- ⑦ 无=英制 / None=Britain standard ; 2=公制 / 2=nominal standard
- ⑧ 无 : 矿物质液压油 / None: mineral hydraulic fluid  
V=磷酸酯液压油 / V= phosphatidic acid

■ 产品简介/Production Overview

DBD型溢流阀是直动式坐阀,用以限制系统压力,其结构可分为锥阀(压力至40Mpa)和球阀结构(压力至63Mpa),压力等级分别为2.5 ; 5 ; 10 ; 20 ; 31.5 ; 40 ; 63Mpa。

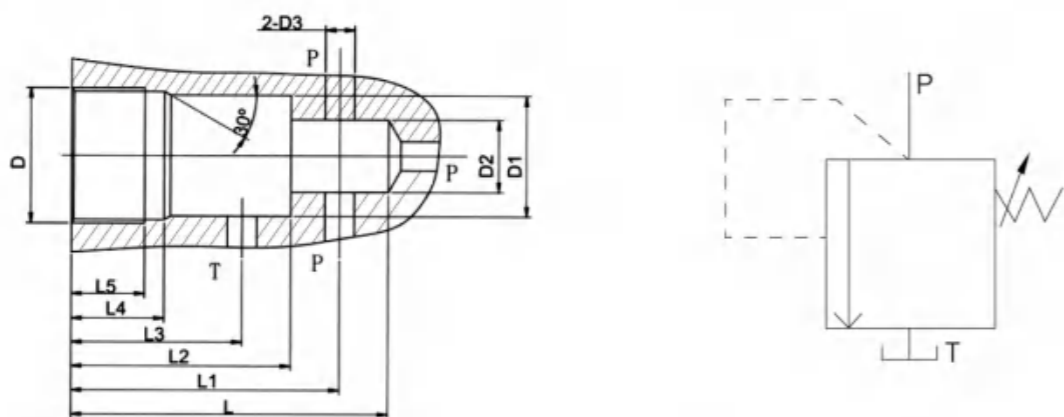
该阀体积小,结构紧凑,流量特性好、噪音小、压力稳定、广泛应用在小流量系统中,可作为安全阀及遥控阀等。

DBD type overflow valve, a directly moving seating type, is used to restrain the system pressure. The structure is divided to cone valve (pressure to 40Mpa) and ball valve structure (pressure to 63Mpa). The pressure grade is 2.5, 5, 10, 20, 31.5, 40, and 63Mpa. The valve has the advantages of small size, compact structure, good flowing features, low noise, reliable pressure, and wide application of small flow system. It may be used as safety valve and remote control valve.



■ 技术参数/Technical parameter

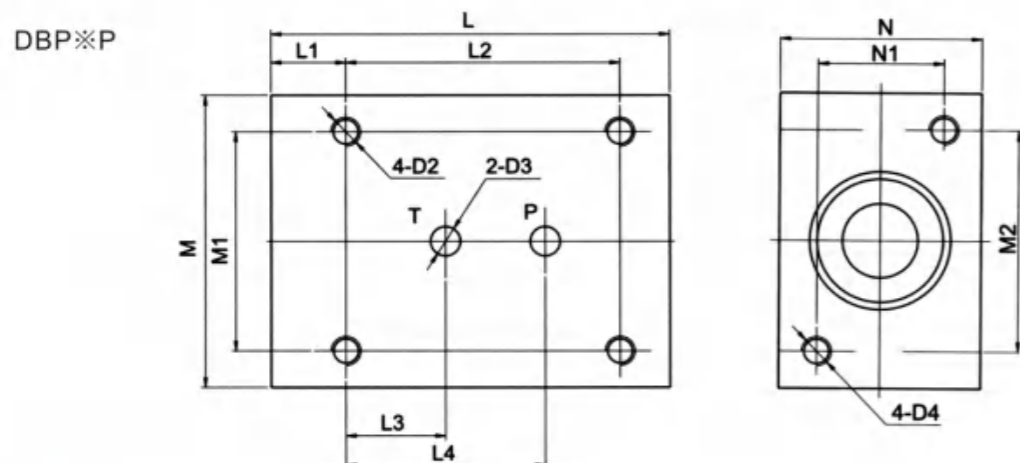
通径 / Diameter	6	8	10	15	20	25	30
工作压力 / Working pressure	31.5	31.5	31.5	31.5	31.5	31.5	31.5
最大流量 / Max flow	35	60	80	150	200	250	300
介质温度 / Medium temperature	-20~70	-20~70	-20~70	-20~70	-20~70	-20~70	-20~70
过滤精度 / Filter precision	25	25	25	25	25	25	25



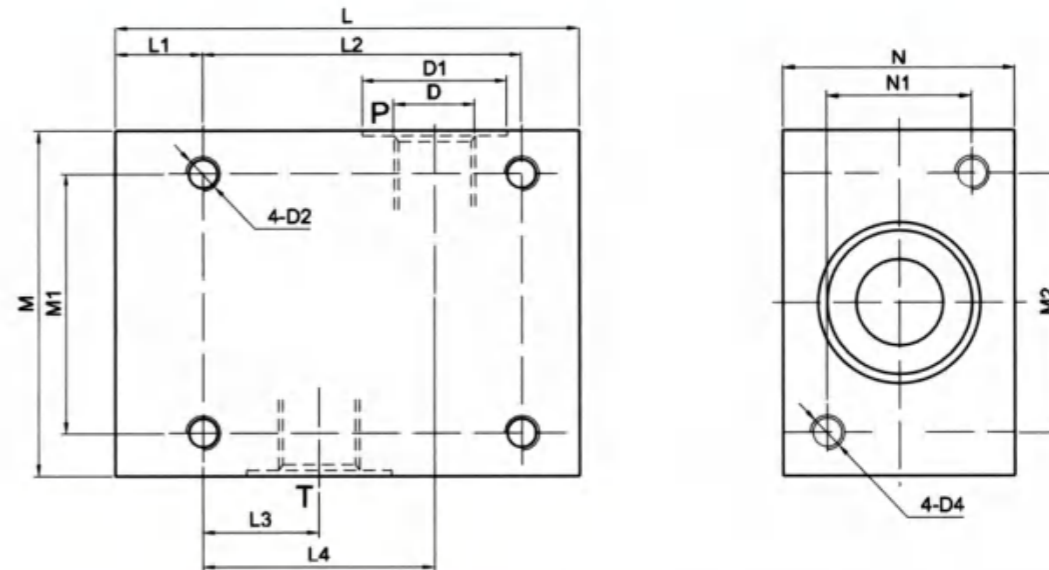
■ DBD※K插入阀连接尺寸/DBD※K plug-in valve connecting dimensions

通径 / Diameter size	D	D1	D2	D3	L	L1	L2	L3	L4	L5
6	M28x1.5	25H8	15	6	65	56.5±1	45	35	19	15
10	M35x1.5	32H8	18.5	10	80	57.5±1	52	41	23	18
20	M45x1.5	40H8	24	20	110	91.5±1	70	54	27	21
30	M60x2	55H8	38.75	30	140	113.5±1	84	60	29	23

■ 安装尺寸/Cosmetic installation



DBP※G



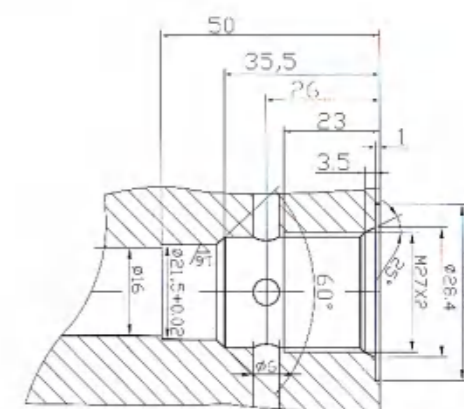
通径 / Diameter size	L	L1	L2	L3	L4	M	M1	N	N1
6	80	15	55	20	40	60	45	45	24
(8) 10	100	20	70	24	49	80	60	60	40
(15) 20	135	20	100	34	65	100	70	70	50
(25) 30	180	25	130	35	85	130	100	90	60

D		D1	D2	D3	D4
英制 / Britain standard (Inch)	公制 / Metric Nominal standard (Metric)				
G1/4"	M14x1.5	25	M6	6	M6
(G3/8") G1/4"	(M18x1.5) M22x1.5	(28)34	M8	(8)10	M8
(G3/4") G1"	(M27x2) M33x2	(42)47	M8	(15)20	M8
(G1 1/4")G1 1/2"	(M42x2) M48x2	(56)61	M10	(25)30	M10

先导式溢流阀/Pilot operated relief valve

■ 订货示例/Ordering Code

**XD-DBD-6**



XD-DBD-6 插装孔图



■ 订货示例/Ordering Code

**TXVE** - **08021** - **R1/2** **20**

① ② ③ ④

① 插装式液控单向阀 Plug-in hydraulic check valve

② 通径 Diameter:

- 08021 通径diameter 8
- 16021 通径diameter 20
- 20021 通径diameter 25

③ 螺纹连接 Thread connection:

- G1/2" G1" G1 1/2"

④ 压力 Pressure:

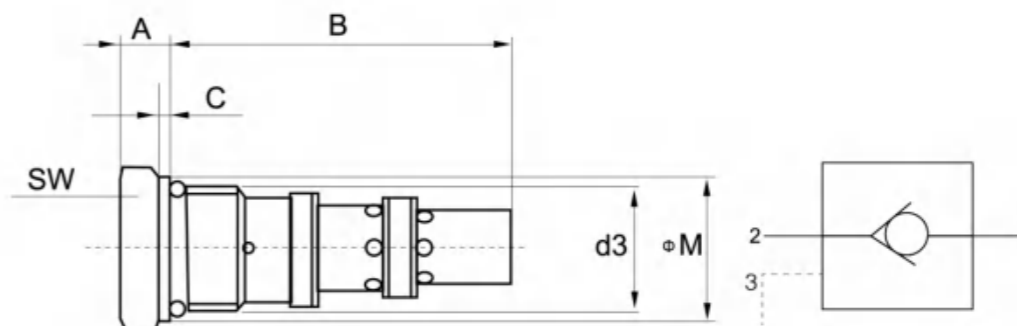
- 20.21Mpa 30.31Mpa

■ 产品简介/Production Overview

TXVE插装式液控单向阀。插装阀因其结构紧凑，反映灵敏，拆装方便，性能可靠而被广泛应用于油缸、工程机械、锁紧控制集成阀块。插装阀的关键零件均采用优质合金钢淬火或渗碳淬火处理以保证长效的工作寿命。

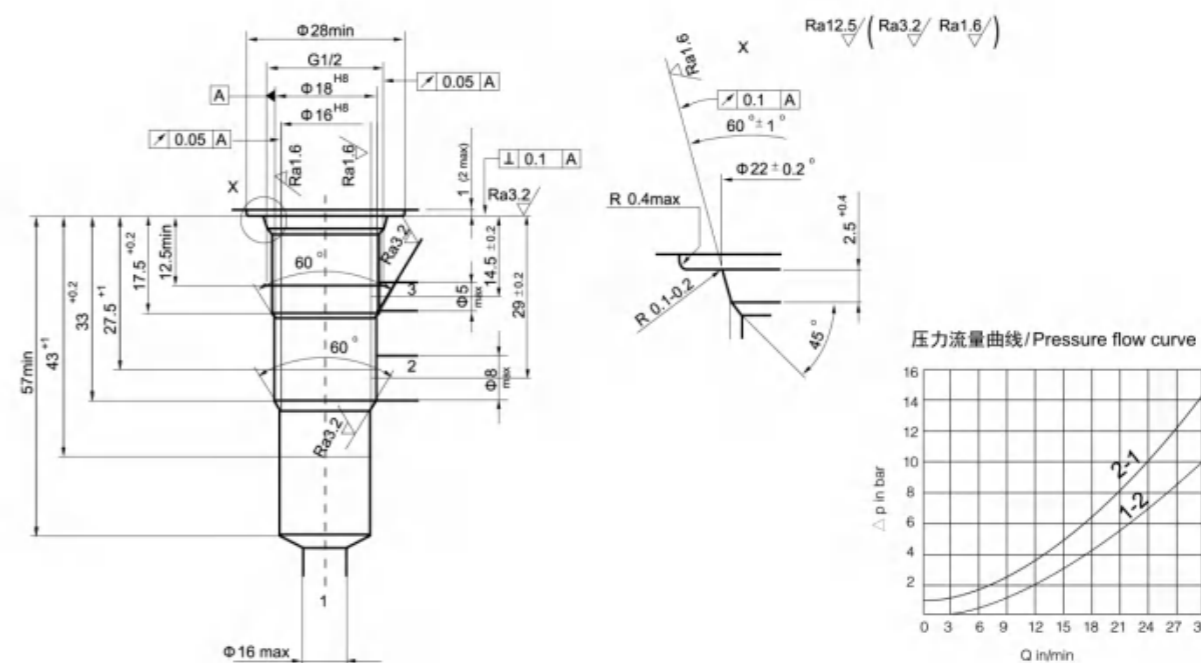
TXVE plug-in hydraulic control check valve has the advantages of compact structure, flexible reaction, convenient removal and installation, and reliable performance. It is widely applied in cylinder, engineering machinery, locking control integration valve block. The key parts of the plug-in valve adopt quality alloy or gasification treatment, ensuring the performance life.

■ 外形尺寸/Cosmetic dimensions

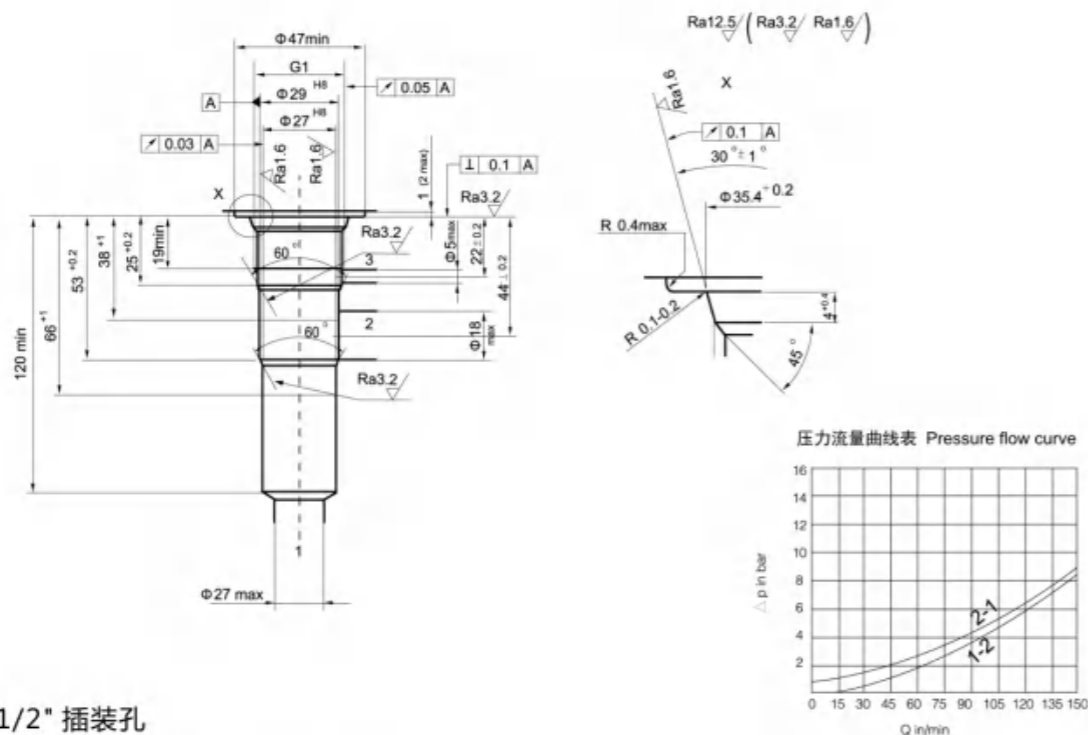


型号 / Type	D3	A	B	C	ΦM	SW
TXVE-G1/2	G1/2	8	56	2	24	24
TXVE-G1/2	G1	16	100	3	40	41
TXVE-G1 1/2	G1 1/2	20	125	3	54	55

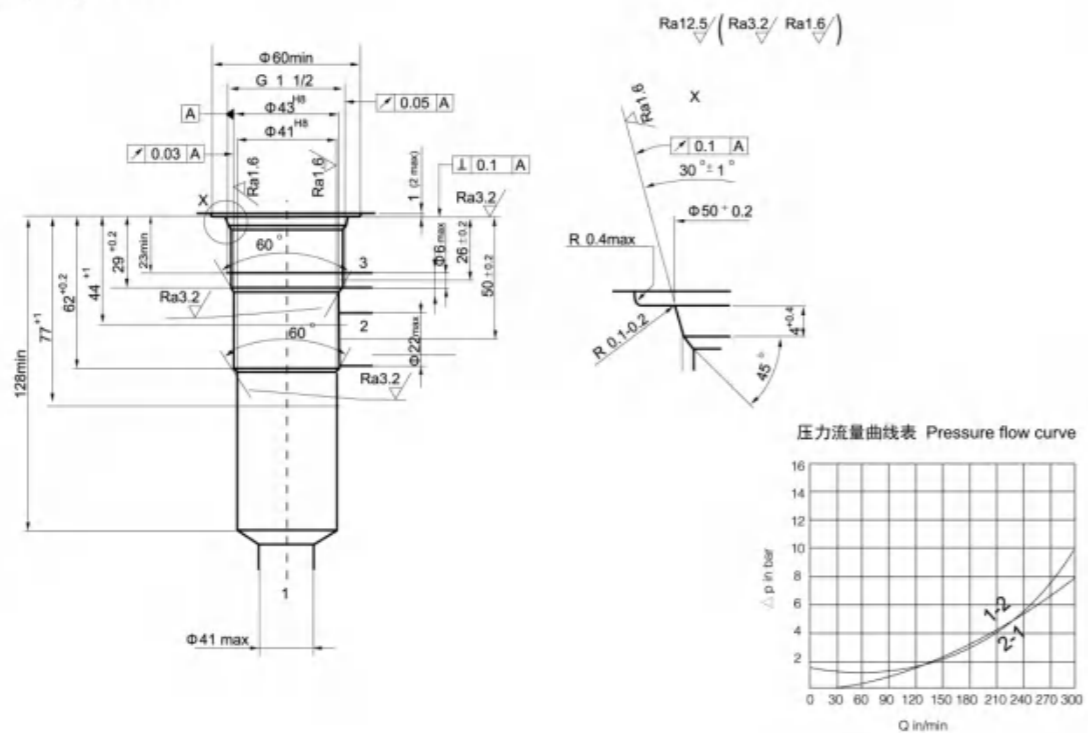
TXVE-G1/2" 插装孔/TXVE-G1/2" plug-in hole



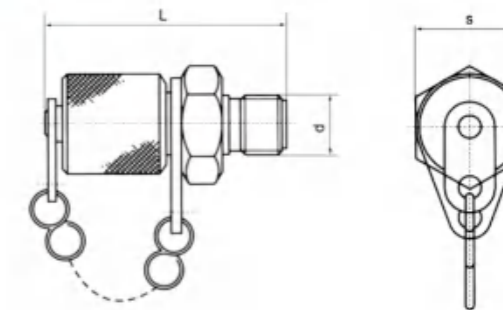
TXVE-G1" 插装孔  
TXVE-G1" plug-in hole



TXVE-G1 1/2" 插装孔  
TXVE-G1/2 plug-in hole



■ 外形尺寸/Cosmetic dimensions



代号/Code	D	S		另一端螺纹 the other end thread	注/Remarks
CYB01-00	M10x1	17	41	M12x1.25	
CYB02-00	M10x1	17	42	M16x1.5	
CYB03-00	M12x1.5	17	42	M16x1.5	
CYB04-00	M10x1	19	43	M16x2	
CYB05-00	M14x1.5	19	47	M16x2	

■ 产品简介/Production Overview

本测压接头安装于液压系统各需要检测压力的部位，通过侧压接头与各种侧压仪器、仪表相接，就可测得该处压力。测量完毕取下测压装置，因有自封功能而不会外漏。另带排气功能侧压接头。使用本接头，就能实现液压系统运转过程中，检测多个部位的压力。

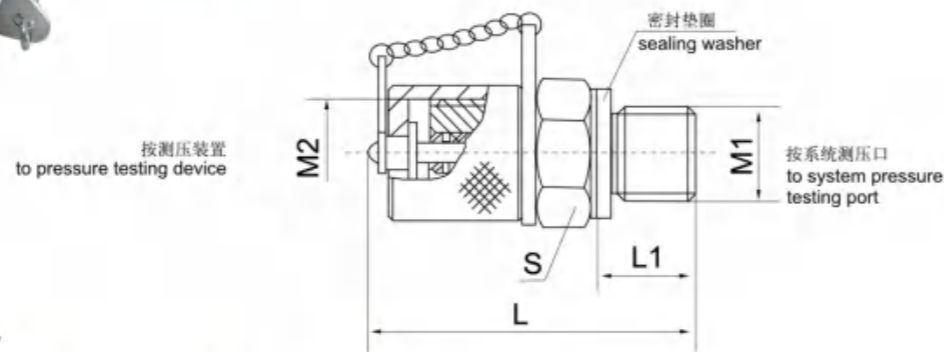
The testing connector is installed on the parts necessary for pressure testing in the hydraulic system. It may test the pressure by connection with the pressure testing connector and various pressure testing devices and gauges. After the testing, you may remove the testing device without any leakage since it has self sealing functions. In addition, it is supplied with drainage function pressure testing connector. The connector may test the pressure at different parts when the hydraulic system is in operation.

■ 技术参数/Technical parameter

- (1)公称通径 / nominal diameter : 3mm
- (2)最大工作压力 / Max working pressure : 40Mpa



■ 外形尺寸/Cosmetic dimensions



PT系列微型测压接头(不带排气) /  
PT series micro pressure testing connector (without drainage)

型号 / Type	M1	M2	L	L1	S	配测压胶管接头型号 Pressure testing connector type
PT-1	M10x1	M12x1.25	32	8	17	H1
PT-2	M10x1	M16	42	8	19	H2
PT-3	M14x1.5	M16	46	12	19	H2
PT-4	M10x1	M16	42	8	19	H2
PT-5	M12x1.5	M16	46	12	19	H2
PT-6	M18x1.5	M16	46	12	24	H2
PT-7	G1/4	M16	46	12	19	H2
PT-8	M12x1.5	M14x1.5	50	12	17	H3
PT-9	M10x1	M16x1.5	46	11.5	19	H4
PT-10	M12x1.5	M16x1.5	46	11.5	19	H4
PT-11	M14x1.5	M16x1.5	46	11.5	19	H4
PT-12	M18x1.5	M16x1.5	46	11.5	24	H4

PT系列微型测压接头(带排气) /  
PT series micro pressure testing connector (with drainage)

型号 / Type	M1	M2	L	L1	S	配测压胶管接头型号 Pressure testing connector type
PPT-1	M10x1	M12x1.25	33	8	17	H1
PPT-2	M10x1	M16	42	8	19	H2
PPT-3	M14x1.5	M16	46	12	19	H2
PPT-5	M12x1.5	M16	46	12	19	H2





■ 订货示例/Ordering Code

CPU - \* - \*

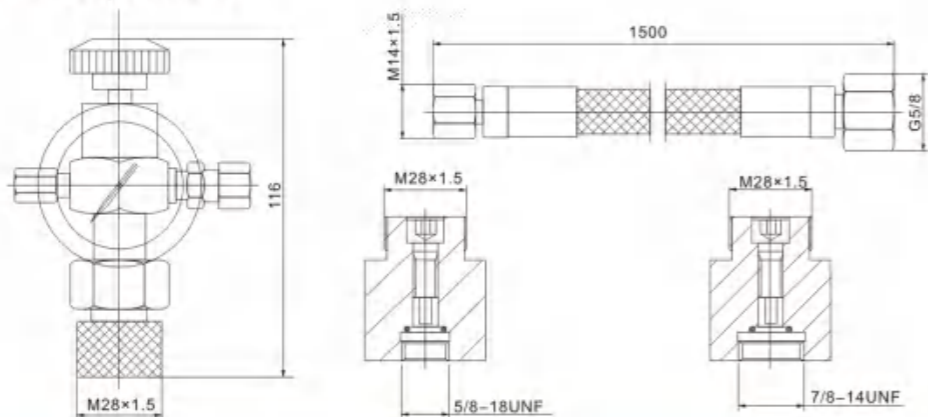
- ① 名称代号 Code Name :  
充气工具 Charging Tool
- ② 压力等级 Pressure :  
10、20、31.5MPa
- ③ 与蓄能器的连接尺寸 Connection Dimension with Accumulator

■ 概述/Overview

CPU型箱式充气工具由铝合金工具箱、带有压力表的多功能充气阀体、防震不锈钢压力表、1.5米长的微型高压软管、维修蓄能器用的勾形扳手、给国内外蓄能器充气互换的接头等。

CPU Box Type Charging Tool consists of A-alloy toolbox, multifunctional charging valve with pressure gauge, anti-seismic stainless steel pressure gauge, high-pressure hose of 1.5m length, claw wrench for accumulator maintenance, exchange joint for foreign series etc.

■ 技术参数/Technical parameter



型号 Model	公称压力 Nom. Pressure (Mpa)	耐震压力表 Anti-seismic pressure gauge		胶管规格 Hose specification 内径×长度 Inner diameter×length	与蓄能器连接尺寸 To accumulator (mm)	应用蓄能器 Applied accumulator
		刻度等级 Scale(Mpa)	精度等级 Precision(Mpa)			
CPU-16	10	0~16	1.5	Φ4×1.5m	M27×1.5	隔膜式蓄能器 Diaphragm accumulator
CPU-25	20	0~25			M28×1.5	
CPU-40	31.5	0~40			M14×1.5	囊式、活塞式蓄能器 Bladder accumulator and plstion accumulator

■ 订货说明/Booking Note

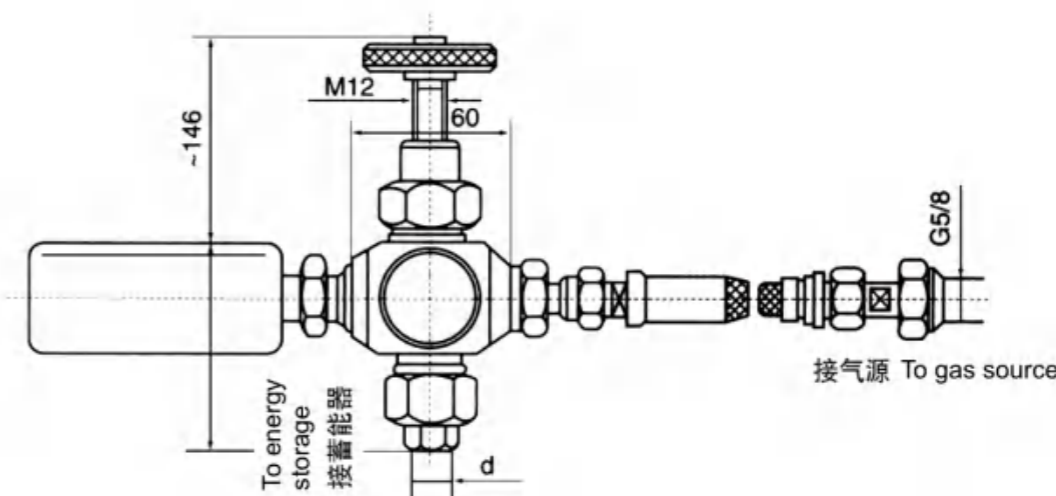
1. 订货时须写明型号代号全称，如：工作压力为20Mpa <math>PN \le 31.5\text{Mpa}</math>的箱式充气工具：CPU-40接口螺纹7/8"-14unf(标准胶管长度为1500mm)  
Full type code is needed when booking. For example: Box type charging tool of operating pressure 20Mpa <math>PN \le 31.5\text{Mpa}</math>: CPU-40
2. 如对充气工具还有特殊要求时，请向本企业商洽/Contact us if special requirement is needed
3. 本企业保留设计更改权，对修改不另行通知/Design change is retained by our company and amendment is effected without further notice



■ 产品简介/Production Overview

CQJ充气工具是蓄能器进行充气、补气、修正气压和检查充气压力等专用工具。它具有结构紧凑、使用方便、安全可靠、承高压、耐冲击等特点。

CQJ charging device is a specialized tool for inflating, supplementing, remedying air pressure and testing the charging pressure. It has the advantages of compact structure, convenient application, safety and reliability, high pressure resistance, and impact resistance.



型号 Type	公称尺寸 Nominal pressure (MPa)	与蓄能器连接尺寸 To energy storage connecting dimensions	配用蓄能器型号 Supporting energy storage type	配用压力表/ Supporting pressure gauge		胶管规格/ Pipe specifications		重量 Weight (kg)
				刻度范围 scale range	精度等级 Precision grade	内径×钢丝层数 Internal diameter × steel wire layers	长度 Length (mm)	
CQJ-16	16	M14※1.5	NXQ-※/10L/F	P=16	1.5	P=16	1000	1.7
CQJ-25	25	7/8"-14UNF	NXQ-※/20L/F	P=25		P=25	~2000	1.7
CQJ-40	40	5/8"-18UNF	NXQ-※/31.5L/F	P=40		P=40		1.7



■ 订货示例/Ordering Code

<b>NXQ</b>	<b>A</b>	<b>25</b>	<b>/</b>	<b>10</b>	<b>L</b>	<b>Y</b>
1	2	3		4	5	6

- ① 名称代号 Name code :  
NXQ囊式蓄能器 / NXQbladder energy storage
- ② 结构形式 Structure :  
A型结构/AB型结构/B型结构  
A type structure/AB type structure/B type structure
- ③ 公称容积 Nominal capacity : 10L
- ④ 公称压力 Nominal pressure : 31.5MPa
- ⑤ 连接方式 Connecting methods :  
L螺纹连接 L thread connection  
F法兰连接 F flange connections
- ⑥ 适用介质 Applicable medium :  
液压 Hydraulic Oil : Y 乳化剂 Emulsifiable Solution : R

■ 产品简介/Production Overview

NXQ蓄能器是液压系统必不可少和重要部件,有储蓄能量,稳定压力,减少能耗,补偿漏损,吸收油压脉冲冲击力等多种功能。NXQ系列蓄能器以石油基液压油为工作介质,胶事囊内充氮气,能在-10~+70范围内正常工作。分螺纹连接、法兰连接二种,顶部有大小口结构两种。大口结构有利于皮囊更换。

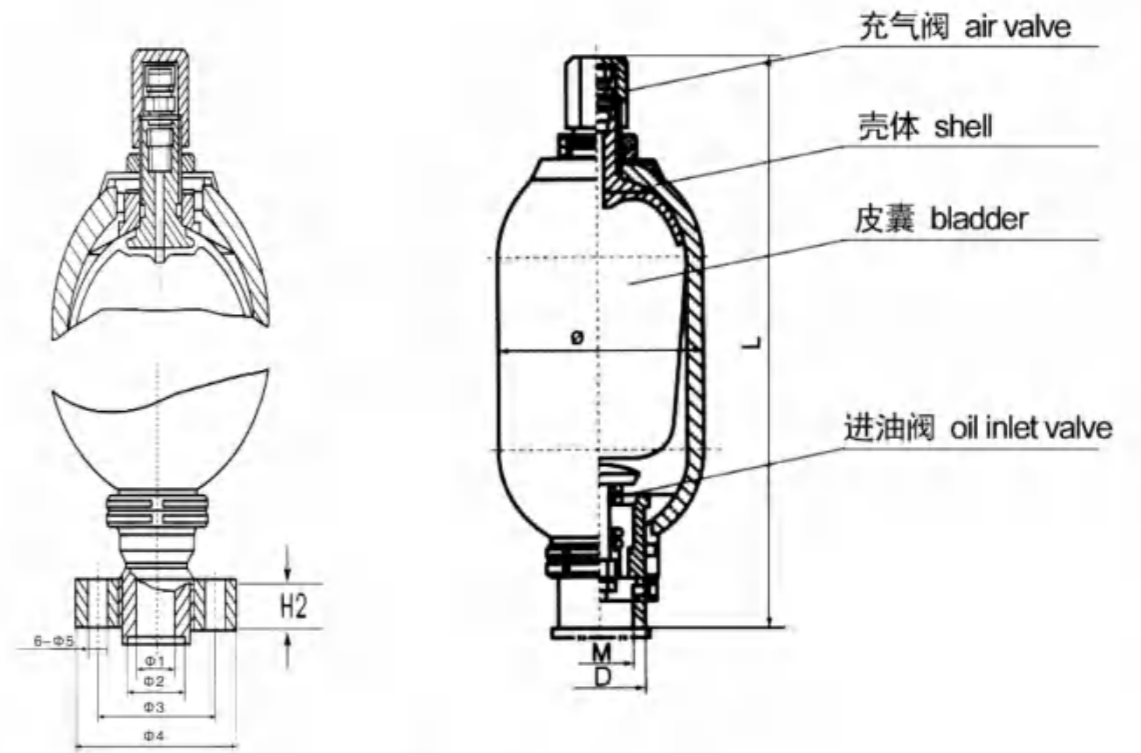
NXQ energy storage is an indispensable and important part for hydraulic system. It has the functions of saving energy, stabilizing pressure, reducing energy consumption, compensating leak, and absorbing pulse impact. NXQ series energy storage adopts petroleum base hydraulic fluid as working medium. Hydrogen is filled into the bladder. The energy storage may work within the range of -10~+70. It has thread and flange connection types. Small and large port structures are available. The large port structure facilitates the change of the bladder.

■ 工作原理/Working principles

NXQ蓄能器由皮囊与壳体自然分为两个部分,囊内装氮气,囊外充液压油,当液压油进入蓄能器时,皮囊就受压变形,气体体积随之缩小,液压油储存,反之系统工作需要增加液压油,则气体膨胀将液压油排出,使系统能量得到补偿。

NXQ energy storage is composed of bladder and shell. Hydrogen is filled in the bladder while hydraulic fluid is filled outside the bladder. When the hydraulic fluid enters the energy storage, the bladder will deform under the force and the capacities will correspondingly shrink and the stores the hydraulic fluid. Vice versa, the hydrogen will expand and drain the fluid if the system requires the increase of hydraulic fluid, compensating the system energy.

■ 结构原理/Structure



■ 规格及基本尺寸/Specifications and dimensions

型号 Type	压力 Pressure Mpa	容积 capacity L	基本尺寸 / Basic dimensions(mm)									重量 Weight (kg)	
			M	D	Φ1	Φ2	Φ3	Φ4	Φ5	H2	L		Φ
NXQ-A-0.25/※-※-Y	10	0.25	M22x1.5	50	42	50	97	130	17	25	260	56	2
NXQ-A-0.4/※-※-Y		0.4	M27x2	50	42	50	97	130	17	25	260	89	3
NXQ-A-0.63/※-※-Y		0.63	M27x2	50	42	50	97	130	17	25	320	89	3.5
NXQ-A-1/※-※-Y		1	M27x2	50	42	50	97	130	17	25	330	114	5.5
NXQ-A-1.6/※-※-Y		1.6	M42x2	50	42	50	97	130	17	25	365	152	12.5
NXQ-A-2.5/※-※-Y		2.5	M42x2	50	42	50	97	130	17	25	430	152	15
NXQ-A-4/※-※-Y		4	M42x2	50	42	50	97	130	17	25	540	152	18.5
NXQ-A-6.3/※-※-Y	6.3	M42x2	50	42	50	97	130	17	25	710	152	25.5	
NXQ-AB-10/※-※-Y	20	10	M60x2	70	55	65	125	160	21	32	650	219	48
NXQ-AB-16/※-※-Y		16	M60x2	70	55	65	125	160	21	32	870	219	63
NXQ-AB-25/※-※-Y		25	M60x2	70	55	65	125	160	21	32	1170	219	84
NXQ-AB-40/※-※-Y		40	M60x2	70	55	65	125	160	21	32	1680	219	119
NXQ-B-20/※-※-Y	31.5	20	M72x2	80	70	80	150	200	26	40	690	299	92
NXQ-B-25/※-※-Y		25	M72x2	80	70	80	150	200	26	40	780	299	105
NXQ-B-40/※-※-Y		40	M72x2	80	70	80	150	200	26	40	1050	299	135
NXQ-B-63/※-※-Y		63	M72x2	80	70	80	150	200	26	40	1470	299	191
NXQ-B-80/※-※-Y		80	M72x2	80	70	80	150	200	26	40	1810	299	241
NXQ-B-100/※-※-Y		100	M72x2	80	70	80	150	200	26	40	2190	299	290
NXQ-B-150/※-※-Y		150	M80x2	90	80	90	170	230	26	50	2450	351	445

高压球阀  
球式电磁阀  
油缸控制阀块  
蓄能器及附件

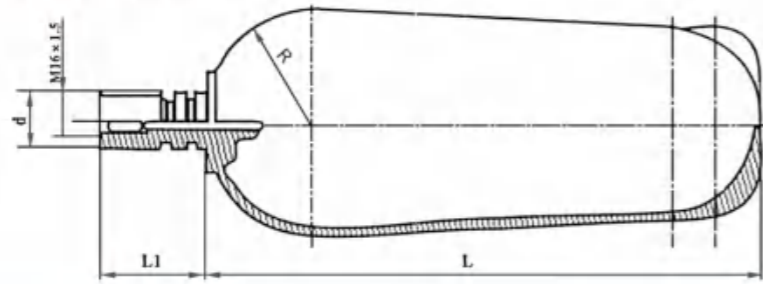
■ 产品简介/Production Overview



本公司专业生产NXQ系列蓄能器胶囊,采用国内外先进技术,先进配方、工艺,结合本公司的严格管理,产品质量优良、性能稳定,尺寸指标达到GB3868-83国家标准,性能指标均达到HG/T2331-92化工部标准。并承接各种非标胶囊。

The company is a professional manufacturer of NXQ series energy storage. We adopt domestically and internationally advanced technologies, ingredients, processes, and strict management. Our products have good quality and high performance. The dimensions conform to GB3868-83 national standards. The performance indices reach HG/T2331-92 standards. We also manufacture various non-standard bladders.

■ 外形尺寸/Cosmetic dimensions



蓄能器容量 Energy storage capacity	d	L	L1	R
0.4	M24x1.5	74	44	38.5
0.63		144		
1		150		
1.6	M30x1.5	144	49	66
2.5		206		
4		312		
6.3		485		

蓄能器容量 Energy storage capacity	d	L	L1	R
10	M30x1.5	365	60	95
16		569		
25		877		
40	M30x1.5	1405	60	131
20		380		
40		740		
63		1180		
80		1480		
100		1880		

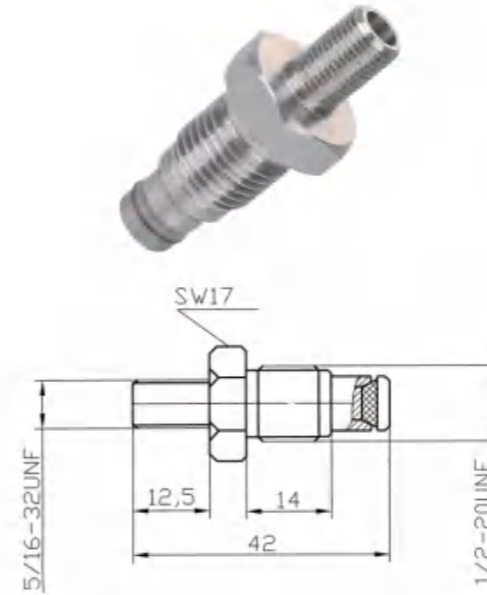
■ 产品简介/Production Overview

QCF-5型充气阀是公司精密设计的新型阀,改变了原有的结构缺陷,在压力超高情况下气阻坏死冲垮,使蓄能器失去功效。本阀有效控制上述缺陷承压高,开启灵敏,自封性能好,安全可靠等特点。

QCF type - 5 charging valve is a new kind of valve company precision design, changing the original structure defects, under the condition of high pressure gas tip necrosis, and make the accumulator lose efficacy. This valve to effectively control the above defects under pressure is high, a sensitive, open valve performance is good, safe and reliable, etc.

QXF型充气阀是蓄能器充氮气的单向阀,该阀借助充气工具向蓄能器充气,充气完毕,拆下充气工具后即可自行关闭。本阀亦可用于非腐蚀性气体的充装。本阀具有体积小、承压高、自封性能好的特点。

QXF type charging valve is a single direction valve for filling hydrogen to the energy storage. The valve charges the gas into the energy storage with the charging device and stop charging after the charging is finished. The valve may also be installed for noncorrosive gases. The valve has the advantages of small capacity, high pressure resistance, and self sealing performance.

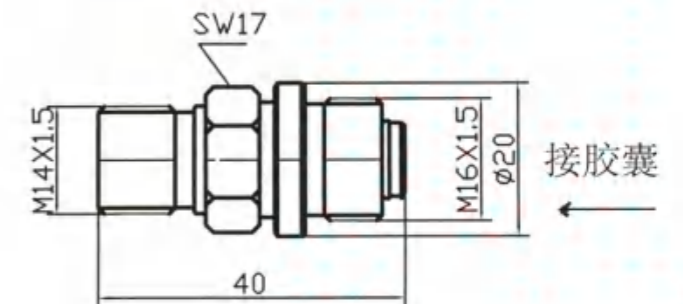


■ 订货示例/Ordering Code

QXF - 5

① 名称代号Name code : QXF充气阀 / QXFcharging valve

② 公称通径Nominal diameter : 5mm



■ 技术规格/Technical specifications

型号 Type	充气压力范围 Charging pressure range (MPa)	公称通径 (mm) Nominal diameter	螺纹连接 / Thread connection		配用蓄能器型号 Supporting energy storage type	重量 Weight (kg)
			进口Inlet	出口Outlet		
QXF-5	4~40	5	M14x1.5	M16x1.5	NXQ-0.6~100/※-※-R	0.07

蓄能器及附件  
油缸控制阀块  
高压球阀  
球式电磁阀  
高压截止阀  
SAE锥形球阀  
国际标准化球阀



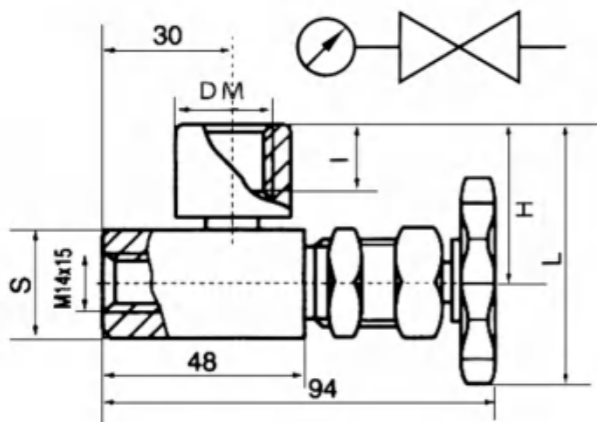
■ 订货示例/Ordering Code

**KF** - **L** **8** / **※** **E**

① ② ③ ④ ⑤

- ① 名称代号 Name code :  
KF压力表开关 / Kfpressure gauge switch
- ② 连接方式 Connecting method :  
L内螺纹连接 / L-Internal thread connection
- ③ 公称通径 Nominal diameter : 8mm
- ④ 压力表接头 Pressure gauge grade :  
14EM14x1.5  
20EM20x1.5
- ⑤ 公称压力 Nominal pressure :  
E31.5MPa

■ 外形尺寸/Cosmetic dimensions



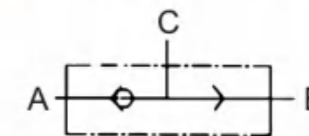
型号 Type	DM	S	I	H	压力表直径 Pressure gauge diameter	压力表中心与压力表开关柄中心距离 (MM) Distance between the pressure gauge center and pressure gauge switch handle center
KF-L8/12E	M12x1.25	27	16	31	Φ60	53+22
KF-L8/14E	M14x1.5	27	16	31	Φ60	53+22
KF-L8/20E	M20x1.5	27	16	38	Φ100、Φ150	87+22 110+22
KF-L8/30E	M30x1.5	38	26	48	Φ260	162+22
KF-L8/E	间接连接式 Indirect connection	27	27	36	Z1/4C管路连接 / Z1/4C pipe connection	



■ 技术参数/Technical parameter

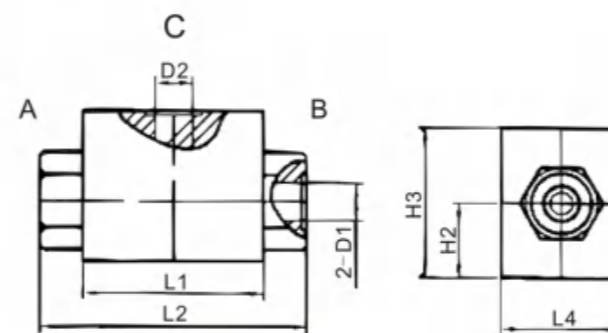
- (1) 公称通径 / Nominal diameter :  
10 ~ 40mm
- (2) 公称压力 / nominal pressure :  
10、20、31 . 5MPa

■ 图形符号/GraPhic Symbol

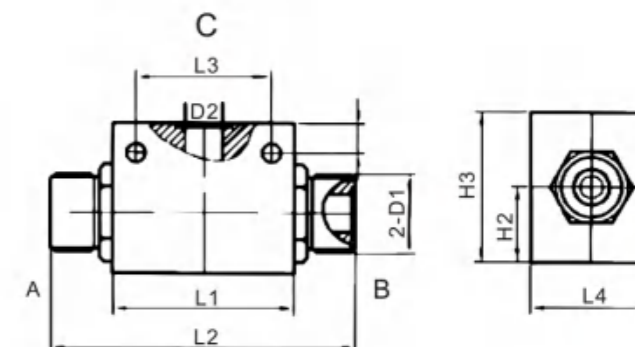


■ 外形尺寸/Cosmetic dimensions

SF-06/36W型/type



SF-12/31型/type



型号 Type	D1	D2	L1	L2	L3	L4	H1	H2	H3
SF-06/36W	M16x1.5	M16x1.5	48	87		32		16	40
SF-12/31	M22x1.5	M18x1.5	65	115	45	35	8	18	48





■ 型号说明 Model Code

**VU/SF - G 1/4 - 1 1 1 - 1**

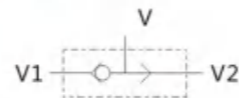
① ② ③ ④ ⑤ ⑥ ⑦

- ① 系列代号 Series Code :  
VU/SF型梭阀 / VU/SF Series shuttle valve
- ② 螺纹代号 Thread Code : G螺纹、NPT螺纹
- ③ 螺纹大小 Nominal Diameter : 1/4、3/8、1/2、3/4、1 Inch
- ④ 阀体 Valve body material : 1-碳钢 Carbon Steel
- ⑤ 套 Valve bush material : 1-碳钢 Carbon Steel
- ⑥ 接头 Joint material : 1-碳钢 Carbon Steel
- ⑦ 阀体表面处理 Surface Treatment :  
1-蓝白三价铬 Silver Zinc Plated

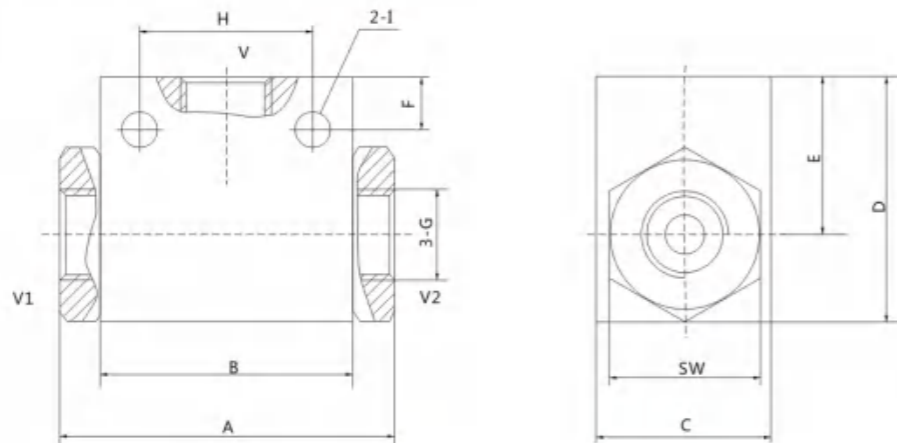
■ 技术参数 Technical Specifications

型号 Model	VU/SF-*1/4 -111-1	VU/SF-*3/8 -111-1	VU/SF-*1/2 -111-1	VU/SF-*3/4 -111-1	VU/SF-*1 -111-1
最高压力 Mpa	50	50	50	35	30
最大流量 L/min	20	45	80	110	150
适用介质	液压油				

■ 图形符号 Symbol



■ 外形尺寸/Cosmetic dimensions



型号 Model	A	B	C	D	E	F	G	H	I	SW
VU/SF-*1/4-111-1	48	36	25	35	22.5	7.5	G1/4 NPT1/4	25	5.5	22
VU/SF-*3/8-111-1	59	45	30	45	30	8	G3/8 NPT3/8	59	6.5	27
VU/SF-*1/2-111-1	90	57	35	50	32.5	8.5	G1/2 NPT1/2	36	6.5	32
VU/SF-*3/4-111-1	113	62	45	60	37	6.5	G3/4 NPT3/4	50	8.5	41
VU/SF-*1-111-1	120	80	50	80	54.5	11	G1 NPT1	60	10.5	45



■ 订货示例/Ordering Code

**GL C 2 - 3**

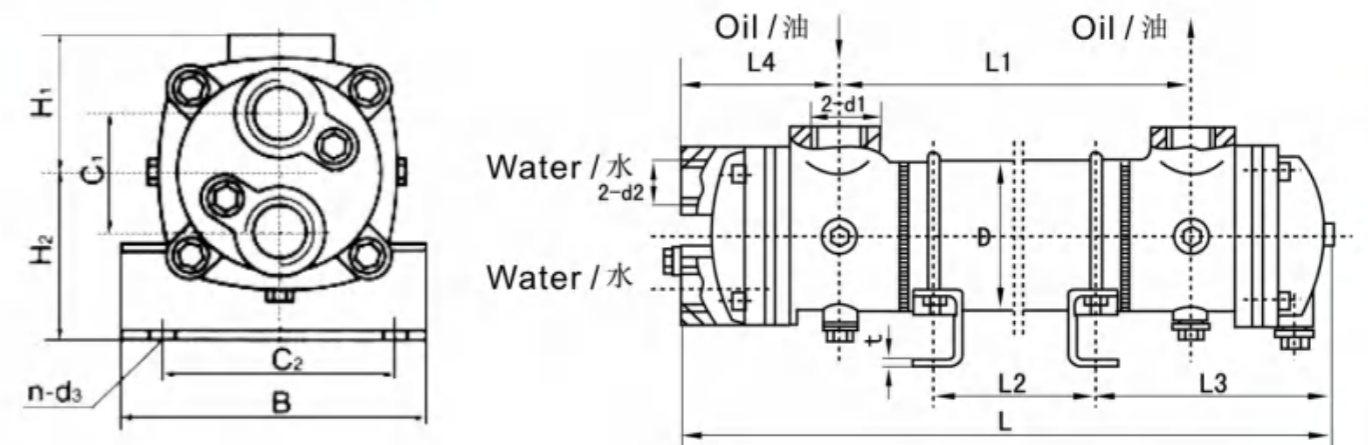
① ② ③ ④

- ① 名称代号 Name Code :  
GL--列管式油冷却器 / GL tubulation oil cooler
- ② 翅片管 Finned Tube
- ③ 系列号 Series No : 第2系列 Series 2
- ④ 公称换热面积 Nominal Heat Exchange Area : 3m<sup>2</sup>

■ 产品简介/Production Overview

冷却器主要用于将较低粘度的润滑、液压、液力系统的工作介质(油)冷却到要求的温度。  
Cooler is used to control the temperature of the working medium (fluid) under the required temperature for the lubricating, hydraulic, and fluid force.

■ 外形尺寸/Cosmetic dimensions



蓄能器及附件  
油缸控制阀块  
高压电磁球阀  
高压球阀  
板式高压球阀  
SAE控制阀  
国际标准高压球阀  
蓄能器及附件

■ 技术参数/Technical parameter

Parameter 参数 型号 Type	冷却面积 cooling area (M <sup>2</sup> )	压力 / pressure(MPa)			温度temperature(°C)				介质粘度 medium viscosity (10 <sup>-3</sup> m <sup>2</sup> /S)	油流量范围 flow range (SL/min)	油/水流量比 oil/water flow ratio	热交换量 heat exchange amount (Kcal/h)
		工作压力 working pressure	油压降 oil pressure drop	水压降 water pressure drop	工作水温 working water temperature	工作油温 working oil temperature	进油温度 oil inlet temperature	出油温度 oil outlet temperature				
GLC1-0.4	0.4	0.63 1	≤0.1	≤0.05	25~30	≤100	55	≤46	10~50	10~35	1:1	1300~3300
GLC1-0.6	0.6									25~60		3300~5100
GLC1-0.8	0.8									35~60		3350~6500
GLC1-1.0	1.0									60~75		6100~7200
GLC1-1.2	1.2									60~85		6400~8400
GLC2-1.3	1.3	0.63 1	≤0.1	≤0.05	25~30	≤100	55	≤46	10~50	30~85	1:1	6400~11000
GLC2-1.7	1.7									30~113		7400~17000
GLC2-2.1	2.1									30~113		9200~21500
GLC2-2.6	2.6									35~125		11300~26000
GLC2-3.0	3.0									35~125		12700~30000
GLC2-3.5	3.5	0.63 1	≤0.1	≤0.05	25~30	≤100	55	≤46	10~50	40~150	1:1	14500~34500
GLC3-4	4									35~170		14000~31000
GLC3-5	5									35~190		17000~35000
GLC3-6	6									40~220		20000~45000
GLC3-7	7									45~240		24000~49500
GLC3-8	8	0.63 1	≤0.1	≤0.05	25~30	≤100	55	≤46	10~50	50~280	1:1	27000~56000
GLC3-9	9									50~290		31000~67000
GLC3-10	10									60~320		33590~69500
GLC3-11	11									60~350		37500~79000

Parameter 参数 型号/type	L	L1	L2	L3	L4	B	C1	C2	D	H1	H2	T	D1	D2	N-d3	重量(Kg) weight
GLC1-0.4	371	240	145	115	70	132	52	102	83	60	71	2	G1*	RC1 <sup>3</sup> / <sub>4</sub> *	4-Φ12	9
GLC1-0.6	536	405	310													11
GLC1-0.8	663	532	435													13
GLC1-1.0	796	665	570													14
GLC1-1.2	936	805	715													15
GLC2-1.3	561	374	225	168	98	175	78	145	121	83	103	2	G1*	Rc1*	4-Φ12	23
GLC2-1.7	687	500	350													26
GLC2-2.1	821	634	485													30
GLC2-2.6	963	776	630													34
GLC2-3.0	1113	926	780													37
GLC2-3.5	1271	1084	935	245	152	210	110	170	168	125	158	2	G1 <sup>1</sup> / <sub>2</sub> *	RC1 <sup>1</sup> / <sub>4</sub> *	4-Φ15	41
GLC3-4	840	570	380													78
GLC3-5	990	720	530													82
GLC3-6	1140	870	680													89
GLC3-7	1310	1040	856													94
GLC3-8	1470	1200	1010	100												
GLC3-9	1630	1360	1170	197	270	140	230	219	142	158	2.5	G2*	RC2 <sup>1</sup> / <sub>2</sub> *	4-Φ19	109	
GLC3-10	1800	1530	1340												115	
GLC3-11	1980	1710	1520												122	
GL4-8	880	590	350												92	
GL4-9	960	670	430												104	
GL4-10	1040	750	510	116												
GL4-11	1110	820	580	128												
GL4-12	1195	905	665	140												
GL4-13	1275	985	745	152												
GL4-15	1435	1145	905	164												
GL4-17	1595	1305	1065	175												
GL4-19	1765	1475	1235	188												
GL4-21	1945	1655	1415	200												
GL4-23	2115	1825	1585	213												
GL4-25	2295	2005	1765	225												
GL4-27	2465	2175	1935	238												



■ 订货示例/Ordering Code



- ① 名称代号: A--直通单向阀
- ② 压力等级: H--31.5MPa
- ③ 正向开启压力:  
1、0.2~0.4MPa  
2、0.04~0.1MPa
- ④ 公称口径: 10、20、32mm
- ⑤ 连接形式: L螺纹连



- ① 名称代号: DIF--直通单向阀
- ② 连接形式: L螺纹连
- ③ 公称口径: 10、20、32mm
- ④ 压力等级: H--31.5MPa
- ⑤ 正向开启压力:  
1、0.2~0.4MPa  
2、0.04~0.1MPa



- ① 名称代号: AJ--直通单向阀
- ② 压力等级: H--31.5MPa
- ③ 正向开启压力:  
1、0.2~0.4MPa  
2、0.04~0.1MPa
- ④ 公称口径: 10、20、32mm
- ⑤ 连接形式: B板式

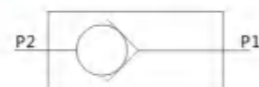
■ 产品简介/Production Overview

单向阀又称止回阀或逆止阀。用于液压系统中，以控制油流的沟通或切断。  
直通单向阀的进出油口在同一轴线方向，可采用螺纹管接头直接与系统管道连接。  
单向阀的开启压力有0.04和0.4MPa二种，前者一般用在压力管路中，以防止油流反向流动；后者一般可作背压阀使用。  
单向阀可与溢流阀、减压阀、顺序阀、节流阀、调速阀等并联组合成单向溢流阀、单向减压阀、单向顺序阀、单向节流阀、单向调速阀等，以进一步发挥这些阀的作用。

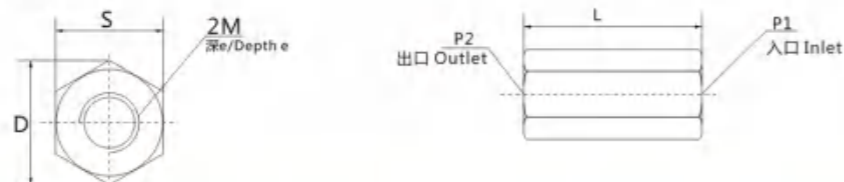
Check valve is used in the hydraulic system to control the oil switching and cutting.  
Straight through check valve inlet and outlet are at the same axial direction. It may use thread pipe directly to connect to the pipe.  
Check valve has opening pressure 0.04Mpa and 0.4 Mpa. The former is usually used in pressure pipelines to avoid reversal flow of the oil. The latter is used as counterbalance valve.  
Check valve may be combined with overflow valve, reduction valve, sequence valve, flow regulation valve, speed regulating valve to make overflow valve, single direction reduction valve, single direction sequence valve, and single direction speed regulating valve.



图形符号/GraPhic Symbol



外形尺寸/Cosmetic dimensions



公称通径 / nominal diameter		型号 type	流量 flow	L	尺寸 / Dimensions(mm)			
毫米 (MM)	NTP				D	S	E	M
10	3/8"	DIF-L10H※	40	75	34.3	30	15	M18x1.5
		A-H※10L		85	41.5	36	18	M22x1.5
20	3/4"	DIF-L20H※	100	102	48.5	42	20	M27x2
		A-H※20L		106	55.4	48	22	M33x2
32	1 1/4"	DIF-L30H※	200	140	72.8	63	25	M42x2
		A-H※30L		128	74.9	65	24	M48x2



型号 Type	DN (MM)	PN (Mpa)	基本尺寸 / basic dimensions											
			L	L1	L2	L3	L4	W	W1	H	H1	H2	D	N
AJ-H10B	10		72.5	43	35.7	/	7.1	90	66.7	87	30	16	22	4
AJ-H20B	20	31.5	94.3	60	49.2	/	11.1	105	79.4	98.5	36	15	32	4
AJ-H32B	32		118.1	84	67.5	42.1	16.7	120	96.8	123	45	16	40	6

注意事项/Notice

- 对于开启压力为0.04MPa的单向阀，应避免阀芯锥面垂直向上安装
- 阀体上箭头表示油液可自由流动的方向，注意不要接反。
- 订货书写型号时，不可漏掉开启压力代号，没写明开启压力代号将以0.04MPa发货。
- For one-way valve opening pressure is 0.04 MPa, cone valve core vertical installation should be avoided
- The body in the direction of the arrows indicate the oil can flow freely, be careful not to pick up.
- Order writing models, we don't miss opening pressure, didn't specify opening pressure code will be shipped in 0.04 MPa.



订货示例/Ordering Code

ATR - G1/2 - 0.5

- 名称代号 Name code :  
ATR管式单向阀/ATR Check valve
- 螺纹规格 : G1/4、G3/8...
- 开启压力 Open pressure : 0.5bar 5bar

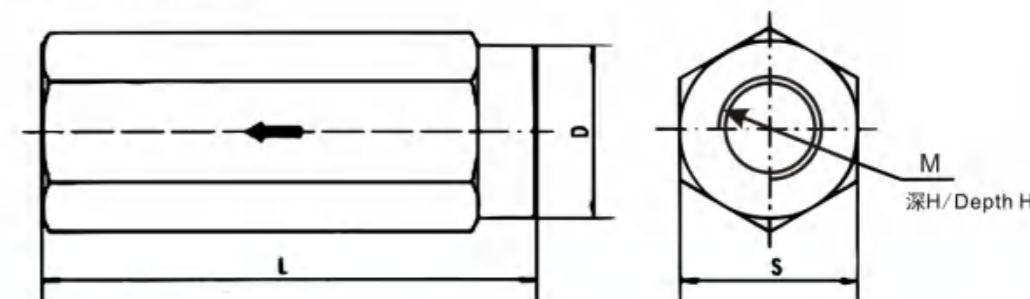
产品简介/Production Overview

管式安装的单向阀，适用于非高粘性的任何类型的液压系统。标准类型为镀锌层碳钢管体，因此特别使用与无腐蚀的矿物油出油和液体。  
Check valve pipe installation, suitable for the high viscosity of the hydraulic system of any type. Standard type for the galvanized layer of carbon steel body, so send special use and no corrosion of the mineral oil and liquid.

图形符号/GraPhic Symbol



外形尺寸/Cosmetic dimensions



型号 / Type	DN	PN(bar)	L	D	S	M	H
ATR-G1/4	6	400	62	18.5	19	G1/4	12
ATR-G3/8	10	400	70	23.5	24	G3/8	14
ATR-G1/2	12	350	77	29.5	30	G1/2	16
ATR-G3/4	16	350	90	35.5	36	G3/4	18
ATR-G1	20	350	106	45.5	46	G1	20
ATR-G1 1/4	25	250	130	54.5	55	G1 1/4	22
ATR-G1 1/2	30	250	140	64.5	65	G1 1/2	24
ATR-G2	40	250	160	74.5	75	G2	26

订货示例 / Illustrations For Order

公称通径20,连接螺纹为G1,开启压力为0.5bar的管式单向阀，其型号：ART-G1-0.5  
nominal diameter : 20mm,Connecting method : thread connection,Type:ART-G1-0.5



图形符号/Graphic Symbol

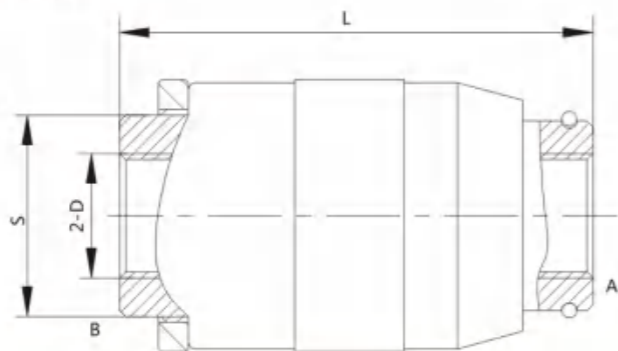


订货示例/Ordering Code

VRFU - G 1 1 1 1 1 1 - 1

- ① 系列代号: VRFU系列管式单向节流阀;  
Series Code: VRFU Tubular Throttle check Valve
- ② 螺纹代号: G螺纹、NPT螺纹 ...;  
Thread Code: G、NPT
- ③ 螺纹大小: 1/4、3/8、1/2、3/4、1;  
Nominal Diameter: 1/4、3/8、1/2、3/4、1 inch
- ④ 可调套筒材料: 1-碳钢、2-不锈钢;  
Adjustable sleeve material: 1-carbon steel 2-stainless steel
- ⑤ 阀体材料: 1-碳钢、2-不锈钢;  
Valve body material: 1-carbon steel 2-stainless steel
- ⑥ 定位螺母材料: 1-碳钢、2-不锈钢;  
The positioning nut material: 1-carbon steel 2-stainless steel
- ⑦ 阀芯材料: 1-40Cr、2-不锈钢;  
Valve core material: 1-400Cr 2-stainless steel
- ⑧ 弹簧材料: 1-SWP-B、2-不锈钢;  
Spring material: 1-SWP-B 2-stainless steel
- ⑨ 阀体表面处理: 1-蓝白三价铬;  
Surface Treatment: 1-SILVER ZINC PLATED

技术参数/Technical parameter

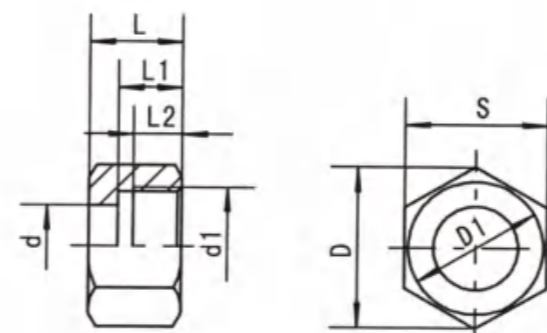


型号 Model	DN	PN	L	D	S	单向开启压力 One-way burst pressure	适用介质 Applicable Medium
VRFU-G1/4-11111-1	06	32	62	G1/4 NPT1/4	21	0.5 bar	液压油 Hydraulic Oil
VRFU-G3/8-11111-1	08	32	78	G3/8 NPT3/8	26	0.5 bar	
VRFU-G1/2-11111-1	10	32	80	G1/2 NPT1/2	30	0.5 bar	
VRFU-G3/4-11111-1	15	28	100	G3/4 NPT3/4	36	0.5 bar	
VRFU-G1-11111-1	20	25	118	G1 NPT1	41	0.5 bar	



标记示例: 管子外径D<sub>0</sub>为28焊接式管接头用螺母。标记为螺母M36x2 JB981-77  
Tag example: D<sub>0</sub> for 28 welded pipe diameter pipe joint with a nut. Marked as nut M36x2 JB981-77

材料: 20

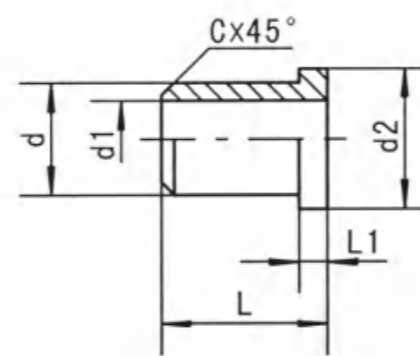


管子外径D <sub>0</sub>	d	d1	D1	D	S	L	L1	L2
6	7.5	M12x1.25	13	16	14	12.5	9.5	8
10	11	M16x1.5	18	21.9	19	14.5	11	9
14	16	M22x1.5	26	31.3	27	17	12.5	10
18	19	M27x1.5	31	36.9	32	20	14.5	11
22	22	M30x1.5	35	41.5	36	21	15	11
28	28	M36x2	40	47.3	41	22	16	12
34	34	M42x2	49	57.7	50	27	21	17
42	42	M52x2	59	69.3	60	29	23	19
50	50	M60x2	69	80.8	70	33	26	21
63	63	M72x2	81	94.6	82	40	31	25

焊接式管接头接管(JB2099-77)

标记示例: 管子外径D<sub>0</sub>为28焊接式管接头用螺母。标记为接管28 JB2099-77  
Tag example: D<sub>0</sub> for 28 welded pipe diameter pipe joint with a nut. Marked for over 28 JB2099-77

材料: 20



管子外径D <sub>0</sub>	d	d1	d2	L	L1	C
6	7.5	3	10	20	3	1
10	11	6	14	24	4	1.5
14	16	10	20	28	4.5	1.5
18	19	12	24.5	32	5.5	1.5
22	22	15	27.5	32	5.5	1.5
28	28	20	33	35	5.5	2.5
34	34	25	39	38	6	3
42	42	32	49	40	6	4
50	50	36	57	44	7	5
63	63	46	69.5	50	9	6

注: 上述D<sub>0</sub>等于63的两种零件在标准中无此内容, 仅供参考, 我厂提供的此规格螺母、接管按表中的尺寸制造。  
Note: the above D<sub>0</sub> is equal to 63 two parts without the content in the standard, for reference only, we provided the specifications nut, take over according to the size of the table.